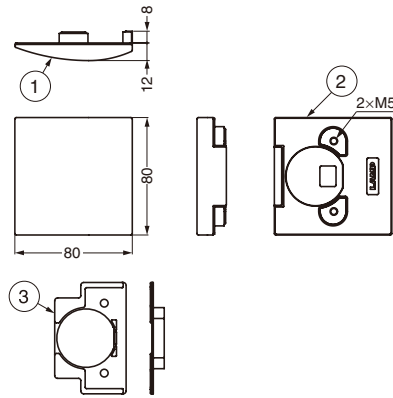


FACE PLATE FOR GLASS DOOR



GH-J95FP-CR



J95 Application



Parts Included

Countersunk head screw M5×18

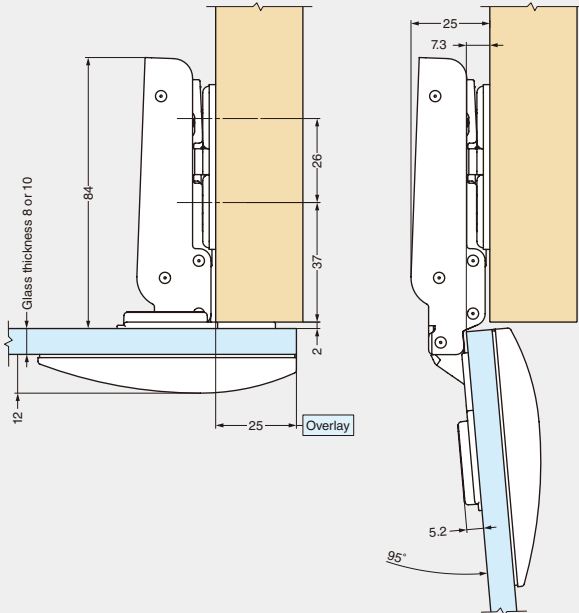
Sold Separately

- Heavy duty concealed hinge J95 (P.4~7).
- Mounting plate J95-P6T (P.4)

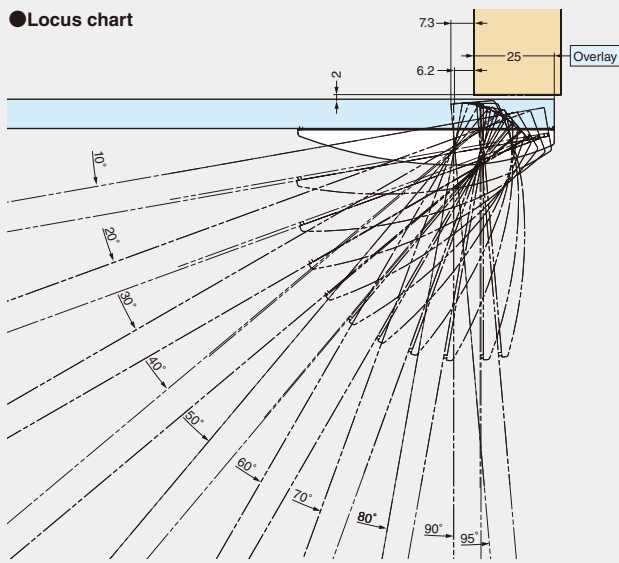
No.	Part Name	Material	Finish/Colour
①	Face Plate	Zinc Alloy (ZDC)	Chrome
②	Face Plate Spacer	Polyacetal (POM)	Black
③	Socket Spacer		

Item Code	Item Name	Material	Finish	Weight	Carton
160-032-418	GH-J95FP-CR	Zinc Alloy (ZDC)	Chrome	333 g	20 pcs

Outline drawing



Locus chart



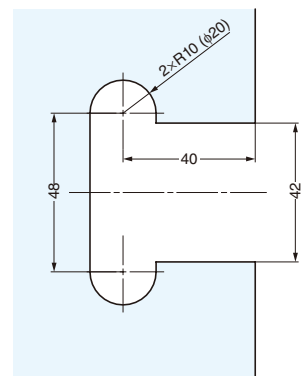
Example (glass thickness : 8 mm / side board : 27 mm / overlay : 25 mm)



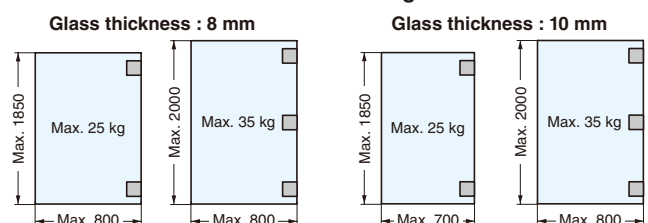
Opening Clearance

- Hinge side = 0 mm
- Handle side = 0 mm

Cut Out Dimensions



Door Dimensions and Number of Hinges



HINGES FOR GLASS DOORS

FACE PLATE FOR GLASS DOOR



GH-J95FP-SN
Satin Nickel



GH-J95FP-Q1-GL
Gold



GH-J95FP-Q1-BR
Antique Bronze

*Other design available on request.

HINGES FOR GLASS DOORS

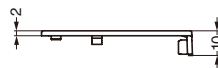
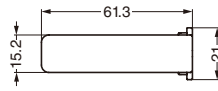
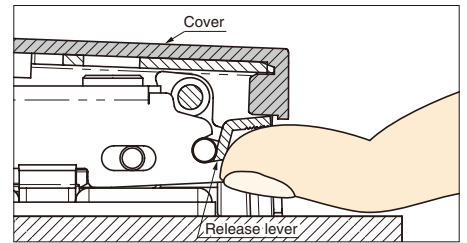
SAFETY COVER



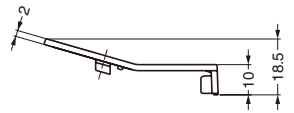
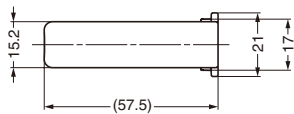
J95SC

■ Features

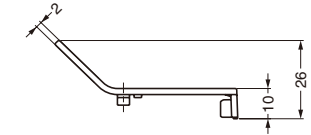
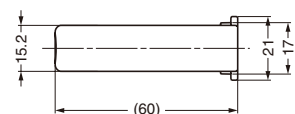
The cover locks the release lever of J95 hinge to prevent accidental release.



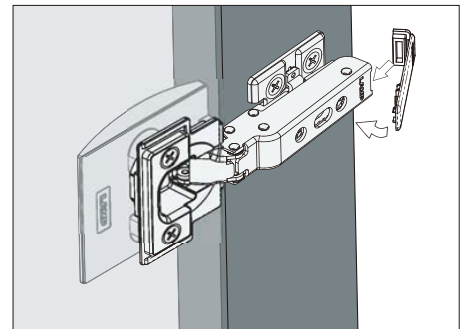
J95SC-25GR



J95SC-16GR



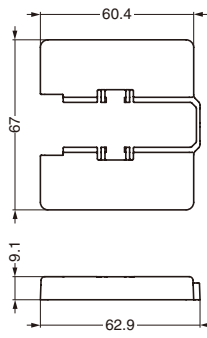
J95SC-0GR



Item Code	Item Name	Use With	Material	Weight	Carton
160-032-763	J95SC-25GR	J95-(C)24/25	ABS	3 g	1000 pcs
160-032-764	J95SC-16GR	J95-(C)24/16	ABS	3 g	1000 pcs
160-032-765	J95SC-0GR	J95-(C)24/0	ABS	3 g	1000 pcs

COVER FOR MOUNTING PLATE

J95ZC



Item Code	Item Name	Use With	Material	Weight	Carton
160-032-766	J95ZC-GR	J95-P6T	ABS	9 g	1000 pcs

*Nickel finish is available as an optional part.

FACE PLATE FOR GLASS DOOR / SAFETY COVER / COVER FOR MOUNTING PLATE

HEAVY DUTY CONCEALED HINGE

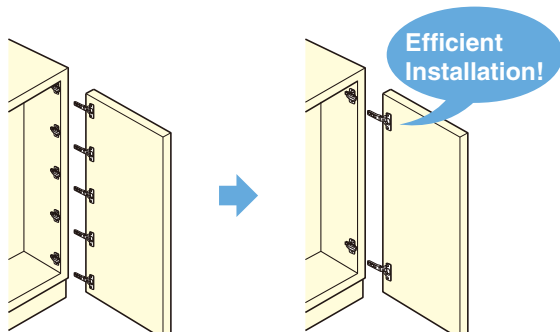
J95

Max. Door Weight : **25 kg** with 2 pcs, **40 kg** with 3 pcs.

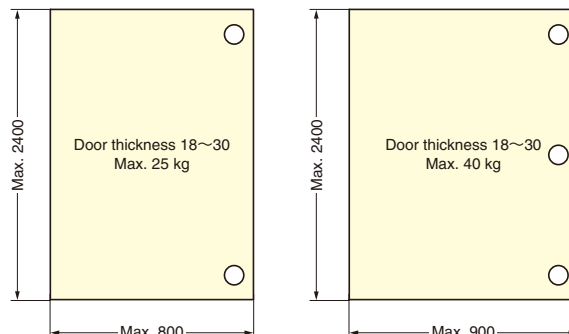
You can reduce the time spending over construction and installation since you don't need to install as many as regular concealed hinges. It can be used for heavy door applications such as big cabinets in houses or stores.

Normal Concealed Hinges
(5 pcs used)

J95
(2 pcs used)

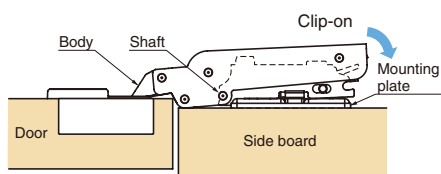


■ The Number of Necessary Hinges with Door Dimensions

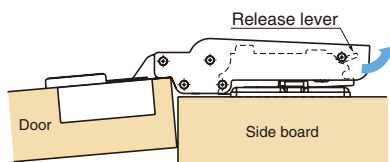


Simple Installation and Detachment by One-Touch

● How to Install

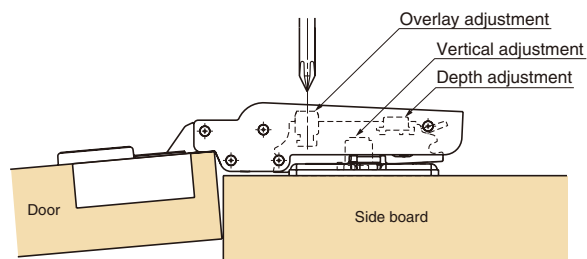


● How to Release

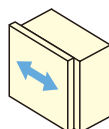


Easy and Fast Adjustment

Door can be adjusted by turning adjustment screws.

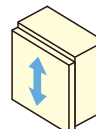


Overlay Adjustment
(Horizontal Adjustment)



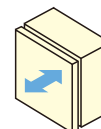
+ 0 mm, - 4 mm

Vertical Adjustment



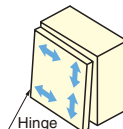
± 3 mm

Depth Adjustment



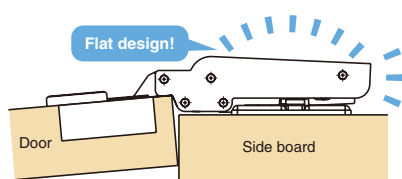
+ 1.5 mm, - 2.5 mm

Tilting Adjustment



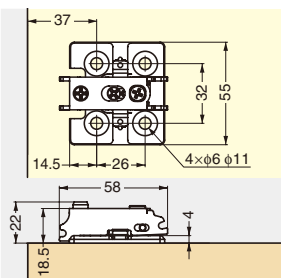
Tilting adjustment can be done by using these three ways of adjustments.

Flat Design



MOUNTING PLATE

J95-P6T



■ Features

- Depth adjustment : + 1.5 -2.5 mm
- Vertical adjustment : ± 3 mm
- Overlay distance adjustment : + 0, - 4 mm
- Thickness: 0 mm (Standard)

■ Recommended Screw

Size 5 raised countersunk head tapping screw or wood screw.

Item Code	Item Name	Material	Finish	Weight	Carton
160-026-732	J95-P6T	Steel/Zinc Alloy (ZDC)	Nickel	94 g	100 pcs

95° Opening **25 mm Overlay**

Overlay 21~ 25 mm
(When Bore Distance is 8 mm)

Cup Dia Ø 40 Bore Depth 15 mm
Door Thickness 18 - 30 mm

Mounting Plate
J95-P6T (P.4)



Picture above is the combination of concealed hinge and mounting plate.

CONCEALED HINGE

J95

Item Code	Item Name	Type	Material	Finish	Weight	Carton
160-026-905	J95-24/25T	w/o Catch	Body/Steel, Cup/Zinc Alloy (ZDC)	Nickel	131 g	100 pcs
160-026-731	J95-C24/25T	w/ Catch	Body/Steel, Cup/Zinc Alloy (ZDC)	Nickel	143 g	100 pcs

■ Features

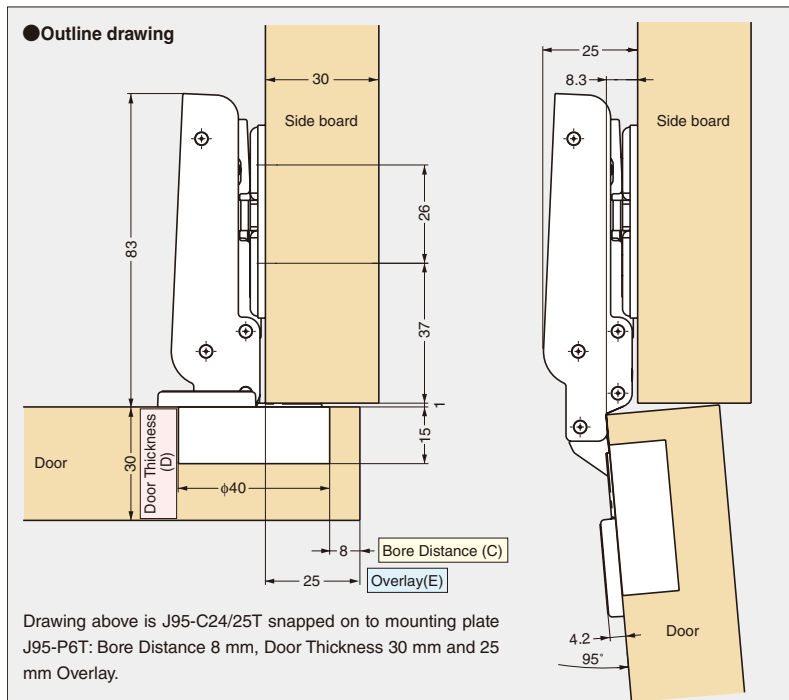
- 3-way-adjustment function by mounting plate (depth + 1.5, - 2.5 mm, vertical ± 3 mm, overlay [horizontal] + 0, - 4 mm).
- Snap on mount.

■ Sold Separately

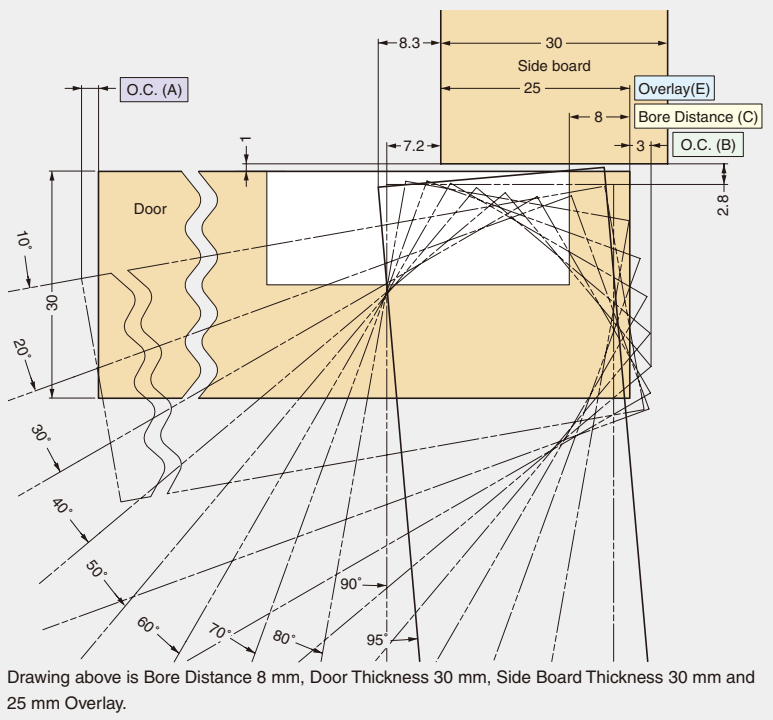
Mounting plate, J95-P6T (P.4)

HINGES

CONCEALED HINGE



● Locus chart



■ Bore Distance (C)

Bore Distance (C)	3	4	5	6	7	8
Overlay (E)	20	21	22	23	24	25

Overlay adjustment (- 4 mm) by turning the overlay adjustment screw.

■ Opening Clearance (O.C.)

Clearances for door edge O.C. (A) and hinge side O.C. (B) are necessary. O.C. (A) and (B) change depending on door thickness and bore distance (C). Refer to locus chart and tables below when designing cabinets.

■ O.C. (B)

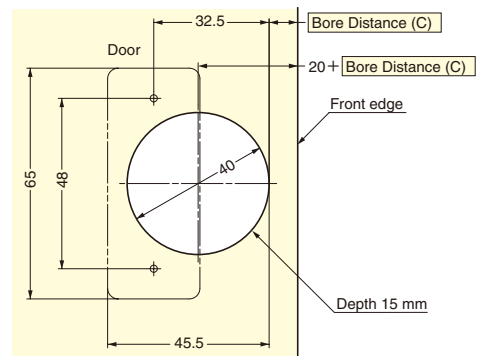
Door Thickness (D)	Bore Distance (C)						
	3	4	5	6	7	8	
18	0.3	0.3	0.3	0.3	0.3	0.3	
20	0.5	0.5	0.5	0.5	0.5	0.5	
22	0.8	0.8	0.8	0.7	0.7	0.7	
24	1.1	1.1	1.1	1.1	1.1	1.0	
26	1.7	1.6	1.6	1.5	1.5	1.5	
28	3.2	2.8	2.5	2.2	2.1	2.0	
30	5.0	4.5	4.0	3.6	3.3	3.0	
32	6.8	6.2	5.7	5.2	4.8	4.4	
34	8.6	8.0	7.5	6.9	6.5	6.0	
O.C. (B)							

Please refer to the locus chart if door thickness is over 30 mm.

■ O.C. (A)

Door Thickness (D)	Door Width						
	300	400	500	600	700	800	900
30	0.50	0.30	0.30	0.20	0.20	0.20	0.20
O.C. (A)							

■ Cut Out Dimensions



● Recommended screw

Size 5 raised countersunk head tapping screw or wood screw.

■ Door Dimensions and Number of Hinges

Please refer to P.4.

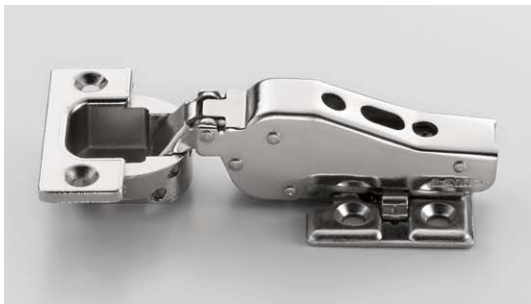
95° Opening

16 mm Overlay

Overlay 12 - 16 mm
(When Bore Distance is 8 mm)Cup Dia Ø 40 Bore Depth 15 mm
Door Thickness 18 - 30 mmMounting Plate
J95-P6T (P.4)

CONCEALED HINGE

J95



Picture above is the combination of concealed hinge and mounting plate.

Item Code	Item Name	Type	Material	Finish	Weight	Carton
160-033-658	J95-24/16T	w/o Catch	Body/Steel, Cup/Zinc Alloy (ZDC)	Nickel	131 g	50 pcs
160-033-657	J95-C24/16T	w Catch	Body/Steel, Cup/Zinc Alloy (ZDC)	Nickel	143 g	50 pcs

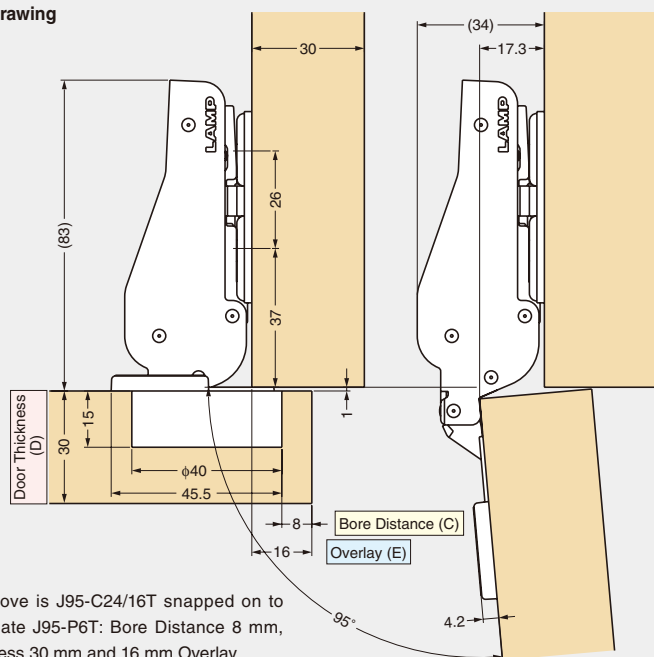
■ Features

- 3-way-adjustment function by mounting plate (depth + 1.5, - 2.5 mm, vertical ± 3 mm, overlay [horizontal] + 0, - 4 mm).
- Snap on mount.

■ Sold Separately

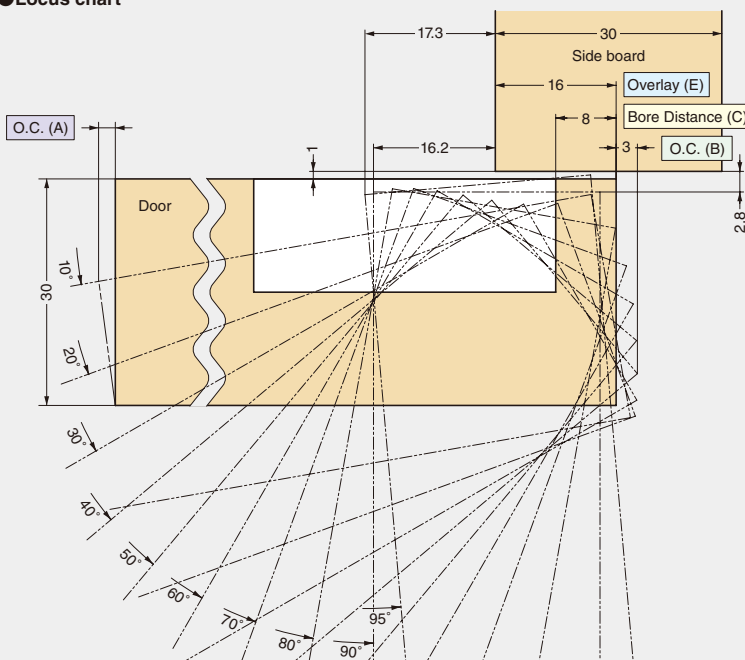
Mounting plate, J95-6PT (P.4)

● Outline drawing



Drawing above is J95-C24/16T snapped on to mounting plate J95-P6T: Bore Distance 8 mm, Door Thickness 30 mm and 16 mm Overlay.

● Locus chart



Drawing above is Bore Distance 8 mm, Door Thickness 30 mm, Side Board Thickness 30 mm and 16 mm Overlay.

■ Bore Distance (C)

Bore Distance (C)	3	4	5	6	7	8
Overlay (E)	11	12	13	14	15	16

Overlay adjustment (Max. -4 mm) by turning the overlay adjustment screw.

■ Opening Clearance (O.C.)

Clearances for door edge O.C. (A) and hinge side O.C. (B) are necessary. O.C. (A) and (B) change depending on door thickness and bore distance (C). Refer to locus chart and tables below when designing cabinets.

■ O.C. (B)

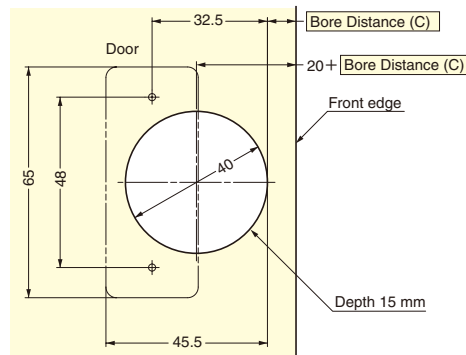
Door Thickness (D)	Bore Distance (C)					
	3	4	5	6	7	8
18	0.3	0.3	0.3	0.3	0.3	0.3
20	0.5	0.5	0.5	0.5	0.5	0.5
22	0.8	0.8	0.8	0.7	0.7	0.7
24	1.1	1.1	1.1	1.1	1.1	1.0
26	1.7	1.6	1.6	1.5	1.5	1.5
28	3.2	2.8	2.5	2.2	2.1	2.0
30	5.0	4.5	4.0	3.6	3.3	3.0
32	6.8	6.2	5.7	5.2	4.8	4.4
34	8.6	8.0	7.5	6.9	6.5	6.0
O.C. (B)						

Please refer to the locus chart if door thickness is over 30 mm.

■ O.C. (A)

Door Thickness (D)	Door Width						
	300	400	500	600	700	800	900
20	0.50	0.30	0.30	0.20	0.20	0.20	0.20
O.C. (A)							

■ Cut Out Dimensions



● Recommended screw

Size 5 raised countersunk head tapping screw or wood screw.

■ Door Dimensions and Number of Hinges

Please refer to P.4.

93° Opening

Inset

Overlay -4 - 0 mm
(When Bore Edge Distance is 8 mm)

Cup Dia Ø 40 Bore Depth 15 mm
Door Thickness 18 - 30 mm

Mounting Plate
J95-P6T (P.4)



Picture above is the combination of concealed hinge and mounting plate.

CONCEALED HINGE

J95

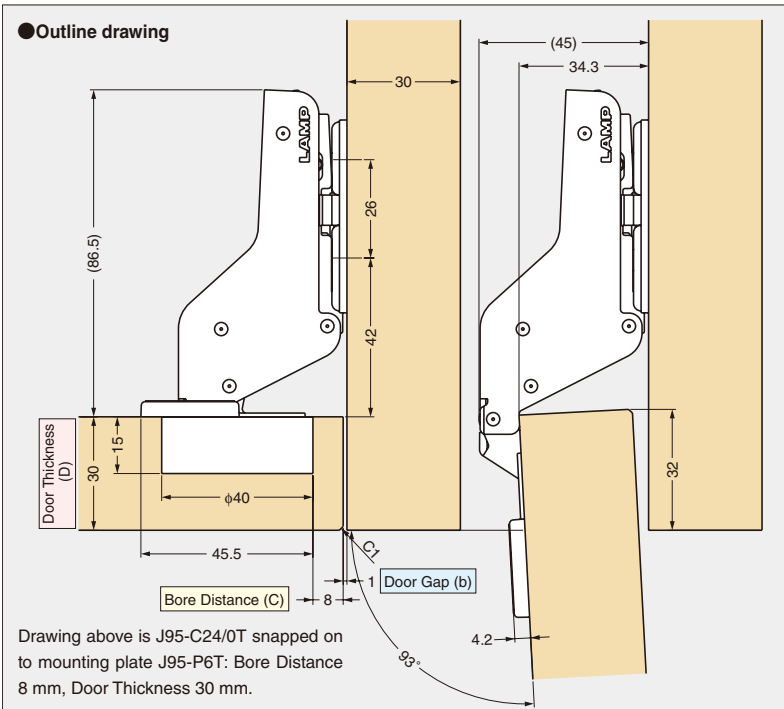
Item Code	Item Name	Type	Material	Finish	Weight	Carton
160-033-660	J95-24/OT	w/o Catch	Body/Steel, Cup/Zinc Alloy (ZDC)	Nickel	148 g	50 pcs
160-033-659	J95-C24/OT	w/ Catch	Body/Steel, Cup/Zinc Alloy (ZDC)	Nickel	160 g	50 pcs

Features

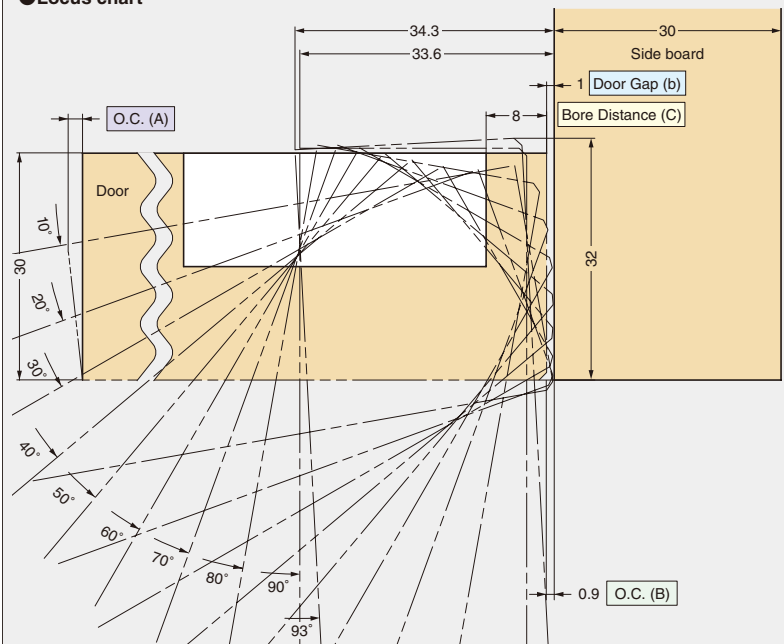
- 3-way-adjustment function by mounting plate (depth + 1.5, - 2.5 mm, vertical ± 3 mm, overlay [horizontal] + 0, - 4 mm).
- Snap on mount.

Sold Separately

Mounting Plate, J95-6PT (P.4)



Locus chart



Bore Distance (C)

Bore Distance (C)	3	4	5	6	7	8
Door Gap (b)	6	5	4	3	2	1

Overlay adjustment (Max. -4 mm) by turning the overlay adjustment screw.

Opening Clearance (O.C.)

Clearances for door edge O.C. (A) and hinge side O.C. (B) are necessary. O.C. (A) and (B) change depending on door thickness and bore distance (C). Refer to locus chart and tables below when designing cabinets.

O.C. (B)

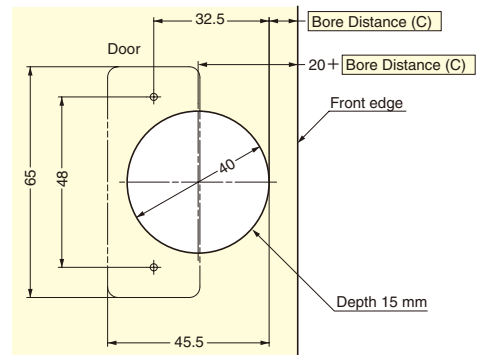
Door Thickness (D)	Bore Distance (C)					
	3	4	5	6	7	8
18	0	0	0	0	0	0
20	0	0	0	0	0	0
22	0.1	0.1	0.1	0.1	0	0.1
24	0.1	0.1	0.1	0.1	0.1	0.1
26	0.3	0.3	0.3	0.3	0.3	0.3
28	1.7	1.1	0.6	0.5	0.5	0.5
30	3.5	2.9	2.3	1.8	1.0	0.9
32	5.4	4.7	4.1	3.6	3.0	2.5
34	7.3	6.6	6.0	5.4	4.8	4.3
O.C. (B)						

Please refer to the locus chart if door thickness is over 30 mm.

O.C. (A)

Door Thickness (D)	Door Width						
	300	400	500	600	700	800	900
20	0.90	0.60	0.50	0.40	0.40	0.30	0.30
O.C. (A)							

Cut Out Dimensions



Recommended screw

Size 5 raised countersunk head tapping screw or wood screw.

Door Dimensions and Number of Hinges

Please refer to P.4.

INSET GLASS DOOR HINGE

L=R

GH-450



SN

CR

GC

Recommended Screws

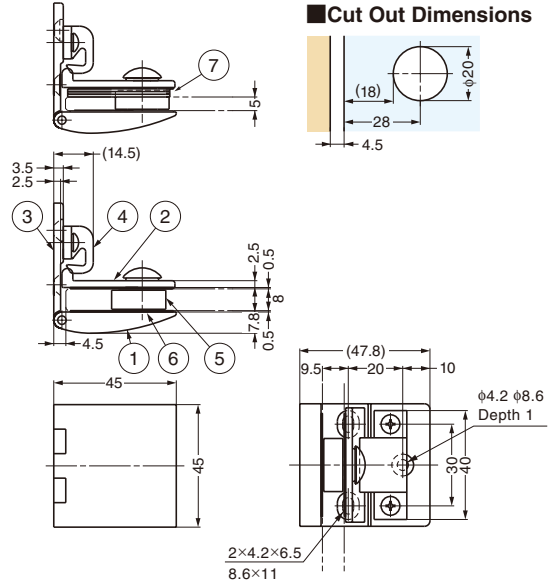
Size 4 countersunk head screw

No.	Part Name	Material	Finish/Colour		
			SN	CR	GC
①	Front Plate	Brass	Satin Nickel	Chrome	Gold
②	Fixing Plate	Brass	Satin Nickel	Chrome	Gold
③	Hinge Plate	Brass	Satin Nickel	Chrome	Gold
④	Catch	Polyamide (PA)	Black	Black	Black
⑤	Glass Adjustment Block	Polyamide (PA)	Black	Black	Black
⑥	Pad	Chloroprene Rubber (CR)	Black	Black	Black
⑦	Spacer	Polypropylene (PP)	Black	Black	Black

Item Code	Item Name	Finish	Door Width	Door Height	Glass Thickness	Door Weight	Weight	Box	Carton
170-090-699	GH-450-SN	Satin Nickel	Max. 600	Max. 1200	5, 6, 8	Max. 6 kg/2 pcs	207 g	10 pcs	40 pcs
170-090-700	GH-450-CR	Chrome	Max. 600	Max. 1200	5, 6, 8	Max. 6 kg/2 pcs	207 g	10 pcs	40 pcs
170-090-701	GH-450-GC	Gold	Max. 600	Max. 1200	5, 6, 8	Max. 6 kg/2 pcs	207 g	10 pcs	40 pcs

Features

- Suitable for showcases.
- Mounting position adjustable: Vertically -2 mm
Horizontally -2.5 mm
- Spacer included to accommodate different glass thickness.



Cut Out Dimensions

Qty of Spacers

Door Thickness (mm)	5	6	8
Qty of Spacers	3	2	No Spacer

INSET GLASS DOOR HINGE (GLASS FRAME TYPE)

L=R

GH-450G



SN

CR

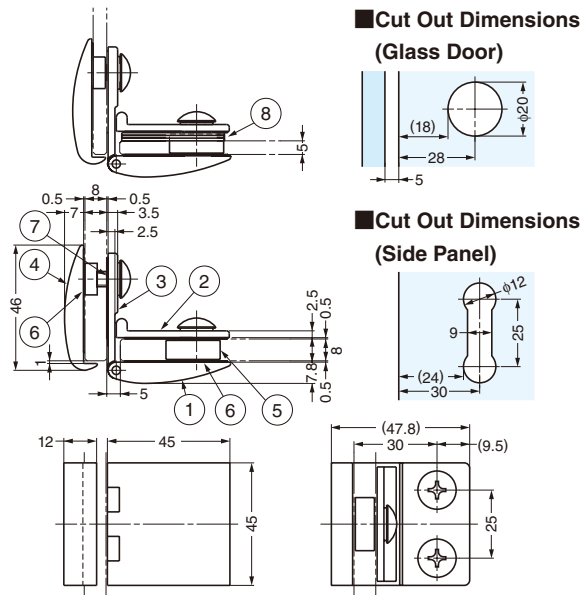
GC

No.	Part Name	Material	Finish/Colour		
			SN	CR	GC
①	Front Plate	Brass	Satin Nickel	Chrome	Gold
②	Fixing Plate	Brass	Satin Nickel	Chrome	Gold
③	Hinge Plate	Brass	Satin Nickel	Chrome	Gold
④	Side Plate	Brass	Satin Nickel	Chrome	Gold
⑤	Glass Adjustment Block	Polyamide (PA)	Black	Black	Black
⑥	Pad A	Chloroprene Rubber (CR)	Black	Black	Black
⑦	Pad B	Chloroprene Rubber (CR)	Black	Black	Black
⑧	Spacer	Polypropylene (PP)	Black	Black	Black

Item Code	Item Name	Finish	Door Width	Door Height	Glass Thickness	Door Weight	Weight	Box	Carton
170-090-705	GH-450G-SN	Satin Nickel	Max. 600	Max. 1200	5, 6, 8	Max. 6 kg/2 pcs	314 g	10 pcs	80 pcs
170-090-706	GH-450G-CR	Chrome	Max. 600	Max. 1200	5, 6, 8	Max. 6 kg/2 pcs	314 g	10 pcs	80 pcs
170-090-707	GH-450G-GC	Gold	Max. 600	Max. 1200	5, 6, 8	Max. 6 kg/2 pcs	314 g	10 pcs	80 pcs

Features

- Suitable for showcases.
- Mounting position adjustable: Horizontally -2.5 mm
- Spacer included to accommodate different glass thickness.



Cut Out Dimensions (Glass Door)

Cut Out Dimensions (Side Panel)

Qty of Spacers

Door Thickness (mm)	5	6	8
Qty of Spacers	3	2	No Spacer

HALF OVERLAY GLASS DOOR HINGE (W/ CATCH)

L=R

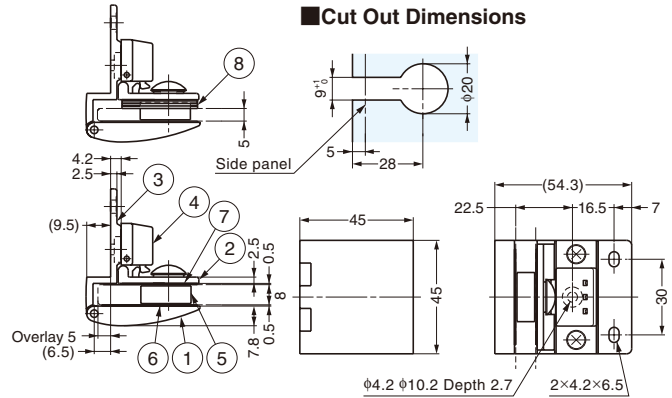
GH-456C



Features

- Suitable for showcases.
- Mounting position adjustable: Vertically -2 mm
Horizontally -2.5 mm
- Spacer included to accommodate different glass thickness.

Cut Out Dimensions



Recommended Screws

Size 4 countersunk head screw

No.	Part Name	Material	Finish/Colour		
			SN	CR	GC
①	Front Plate	Brass	Satin Nickel	Chrome	Gold
②	Fixing Plate	Brass	Satin Nickel	Chrome	Gold
③	Hinge Plate	Brass	Satin Nickel	Chrome	Gold
④	Catch	PBT, Polyacetal (POM)	Black	Black	Black
⑤	Glass Adjustment Block	Polyamide (PA)	Black	Black	Black
⑥	Pad A	Polyvinyl Chloride Resin (PVC)	Black	Black	Black
⑦	Pad B	Polyvinyl Chloride Resin (PVC)	Black	Black	Black
⑧	Spacer	Polypropylene (PP)	Black	Black	Black

Qty of Spacers

Door Thickness (mm)	5	6	8
Qty of Spacers	3	2	No Spacer

Item Code	Item Name	Finish	Door Width	Door Height	Glass Thickness	Door Weight	Weight	Box	Carton
170-020-968	GH-456C-SN	Satin Nickel	Max. 600	Max. 1200	5, 6, 8	Max. 6 kg/2 pcs	216 g	10 pcs	80 pcs
170-020-969	GH-456C-CR	Chrome	Max. 600	Max. 1200	5, 6, 8	Max. 6 kg/2 pcs	216 g	10 pcs	80 pcs
170-020-970	GH-456C-GC	Gold	Max. 600	Max. 1200	5, 6, 8	Max. 6 kg/2 pcs	216 g	10 pcs	80 pcs

HALF OVERLAY GLASS DOOR HINGE (W/O CATCH)

L=R

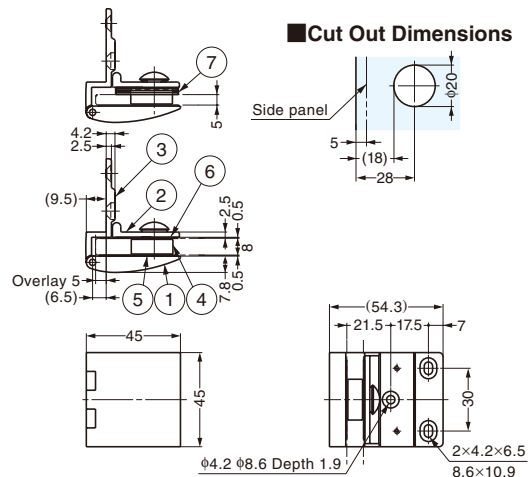
GH-456N



Features

- Suitable for showcases.
- Mounting position adjustable: Vertically -2 mm
Horizontally -2.5 mm
- Spacer included to accommodate different glass thickness.

Cut Out Dimensions



Recommended Screws

Size 4 truss head screw

No.	Part Name	Material	Finish/Colour		
			SN	CR	GC
①	Front Plate	Brass	Satin Nickel	Chrome	Gold
②	Fixing Plate	Brass	Satin Nickel	Chrome	Gold
③	Hinge Plate	Brass	Satin Nickel	Chrome	Gold
④	Glass Adjustment Block	Polyamide (PA)	Black	Black	Black
⑤	Pad A	Chloroprene Rubber (CR)	Black	Black	Black
⑥	Pad B	Chloroprene Rubber (CR)	Black	Black	Black
⑦	Spacer	Polypropylene (PP)	Black	Black	Black

Qty of Spacers

Door Thickness (mm)	5	6	8
Qty of Spacers	3	2	No Spacer

Item Code	Item Name	Finish	Door Width	Door Height	Glass Thickness	Door Weight	Weight	Box	Carton
170-090-702	GH-456N-SN	Satin Nickel	Max. 600	Max. 1200	5, 6, 8	Max. 6 kg/2 pcs	206 g	10 pcs	80 pcs
170-090-703	GH-456N-CR	Chrome	Max. 600	Max. 1200	5, 6, 8	Max. 6 kg/2 pcs	206 g	10 pcs	80 pcs
170-090-704	GH-456N-GC	Gold	Max. 600	Max. 1200	5, 6, 8	Max. 6 kg/2 pcs	206 g	10 pcs	80 pcs

HINGES FOR GLASS DOORS
GLASS DOOR HINGE

INSET GLASS DOOR HINGE



GH34-0SS

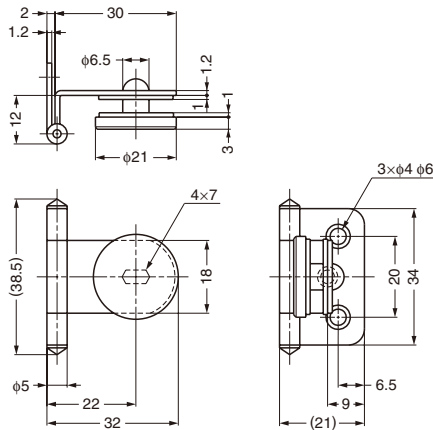


Features

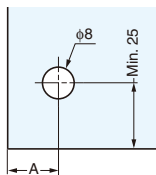
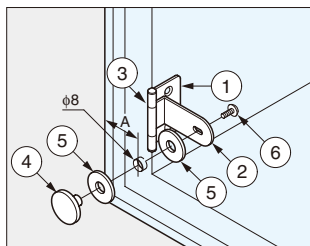
Hinge for glass/acrylic doors.

Remarks

Recommended for use in pairs.



Cut Out Dimensions



Glass Thickness	A
4	19
5	18
6	17

No.	Part Name	Material	Finish/Colour
①	Body	Stainless Steel (SUS304)	Plain
②	Arm	Stainless Steel (SUS304)	Plain
③	Shaft	Stainless Steel	Plain
④	Plate	Aluminium Alloy	Anodized
⑤	Washer	Polyvinyl Chloride Resin (PVC)	Clear
⑥	Screw	Stainless Steel	Plain

Item Code	Item Name	Door Width	Door Height	Glass Thickness	Door Weight	Weight	Box	Carton
170-083-529	GH34-0SS	Max. 450	Max. 700	4, 5, 6	Max. 4 kg/2 pcs	20 g	150 pcs	900 pcs

HALF OVERLAY GLASS DOOR HINGE



GH34-8SS

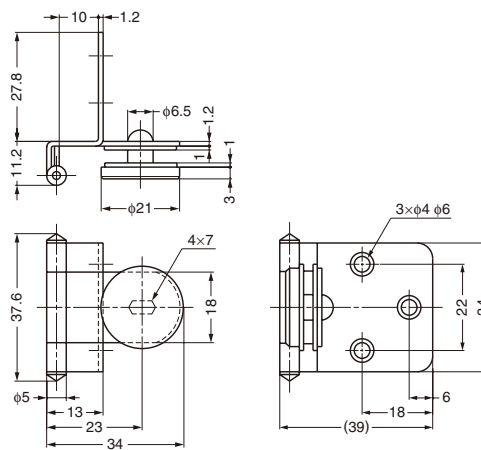


Features

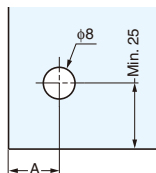
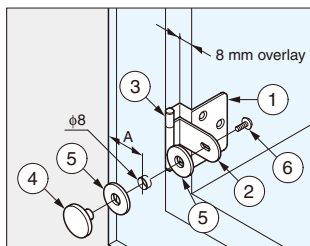
Hinge for glass/acrylic doors.

Remarks

Recommended for use in pairs.



Cut Out Dimensions



Glass Thickness	A	Overlay
4	19	8
5	18	7
6	17	6

No.	Part Name	Material	Finish/Colour
①	Body	Stainless Steel (SUS304)	Plain
②	Arm	Stainless Steel (SUS304)	Plain
③	Shaft	Stainless Steel	Plain
④	Plate	Aluminium Alloy	Anodized
⑤	Washer	Polyvinyl Chloride Resin (PVC)	Clear
⑥	Screw	Stainless Steel	Plain

Item Code	Item Name	Door Width	Door Height	Glass Thickness	Door Weight	Weight	Box	Carton
170-083-530	GH34-8SS	Max. 450	Max. 700	4, 5, 6	Max. 4 kg/2 pcs	26 g	100 pcs	600 pcs

HINGES FOR GLASS DOORS

GLASS DOOR HINGE

INSET GLASS DOOR HINGE

L=R GH34-0

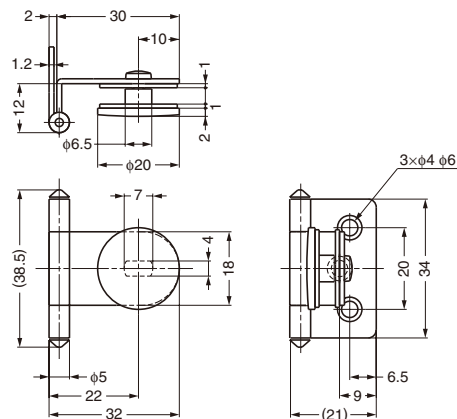


■Features

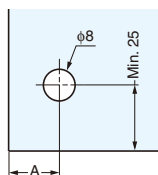
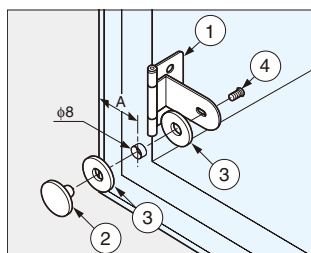
Hinge for glass/acrylic doors.

■Remarks

Recommended for use in pairs.



■Cut Out Dimensions



Glass Thickness	A
4	19
5	18
6	17

No.	Part Name	Material	Finish/Colour
①	Body	Steel	Chrome, Paint/Black
②	Plate	Brass	Chrome, Paint/Black
③	Washer	Polyvinyl Chloride Resin (PVC)	Clear
④	Screw	Steel	Nickel, Paint/Black

Item Code	Item Name	Finish	Door Width	Door Height	Glass Thickness	Door Weight	Weight	Box	Carton
170-083-513	GH34-0CR	Chrome	Max. 450	Max. 700	4, 5, 6	Max. 4 kg/2 pcs	25 g	150 pcs	900 pcs
170-025-831	GH34-0BL	Paint/Black	Max. 450	Max. 700	4, 5, 6	Max. 4 kg/2 pcs	25 g	150 pcs	900 pcs

HALF OVERLAY GLASS DOOR HINGE

L=R GH34-8

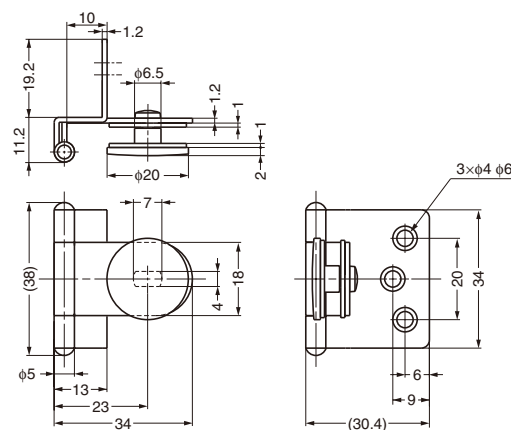


■Features

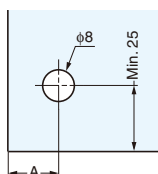
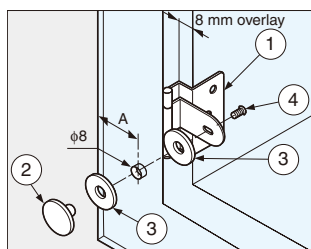
Hinge for glass/acrylic doors.

■Remarks

Recommended for use in pairs.



■Cut Out Dimensions



Glass Thickness	A	Overlay
4	19	8
5	18	7
6	17	6

No.	Part Name	Material	Finish/Colour
①	Body	Steel	Chrome, Paint/Black
②	Plate	Brass	Chrome, Paint/Black
③	Washer	Polyvinyl Chloride Resin (PVC)	Clear
④	Screw	Steel	Nickel, Paint/Black

Item Code	Item Name	Finish	Door Width	Door Height	Glass Thickness	Door Weight	Weight	Box	Carton
170-083-528	GH34-8CR	Chrome	Max. 450	Max. 700	4, 5, 6	Max. 4 kg/2 pcs	30 g	50 pcs	500 pcs
170-025-832	GH34-8BL	Paint/Black	Max. 450	Max. 700	4, 5, 6	Max. 4 kg/2 pcs	30 g	50 pcs	500 pcs

INSET GLASS DOOR HINGE

L=R

GH34-0CR-K

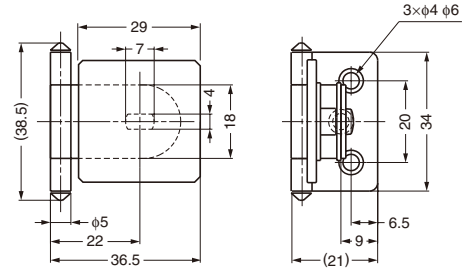
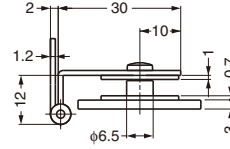


■ Features

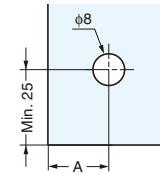
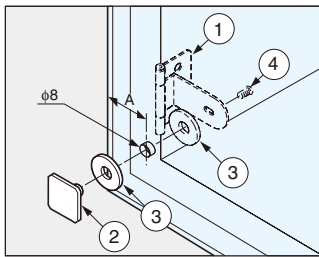
Hinge for glass/acrylic doors.

■ Remarks

Recommended for use in pairs.



■ Cut Out Dimensions



Glass Thickness	A
4	19
5	18
6	17

No.	Part Name	Material	Finish/Colour
①	Body	Steel	Chrome
②	Plate	Zinc Alloy (ZDC)	Chrome
③	Washer	Polyvinyl Chloride Resin (PVC)	Clear
④	Screw	Steel	Nickel

Item Code	Item Name	Door Width	Door Height	Glass Thickness	Door Weight	Weight	Box	Carton
170-019-481	GH34-0CR-K	Max. 450	Max. 700	4, 5, 6	Max. 4 kg/2 pcs	34 g	150 pcs	900 pcs

HALF OVERLAY GLASS DOOR HINGE

L=R

GH34-8CR-K

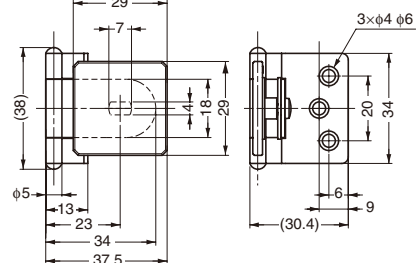
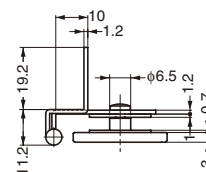


■ Features

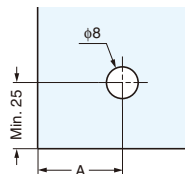
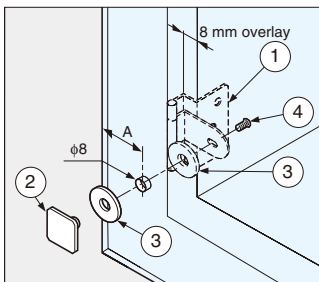
Hinge for glass/acrylic doors.

■ Remarks

Recommended for use in pairs.



■ Cut Out Dimensions



Glass Thickness	A	Overlay
4	19	8
5	18	7
6	17	6

No.	Part Name	Material	Finish/Colour
①	Body	Steel	Chrome
②	Plate	Zinc Alloy (ZDC)	Chrome
③	Washer	Polyvinyl Chloride Resin (PVC)	Clear
④	Screw	Steel	Nickel

Item Code	Item Name	Door Width	Door Height	Glass Thickness	Door Weight	Weight	Box	Carton
170-019-482	GH34-8CR-K	Max. 450	Max. 700	4, 5, 6	Max. 4 kg/2 pcs	37 g	50 pcs	500 pcs

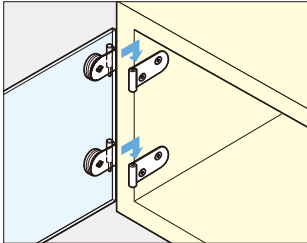
INSET GLASS DOOR LIFT-OFF HINGE

GH36-NCR

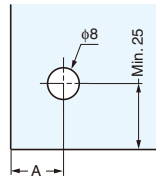


GH36-NCR

■ Installation Example



■ Cut Out Dimensions



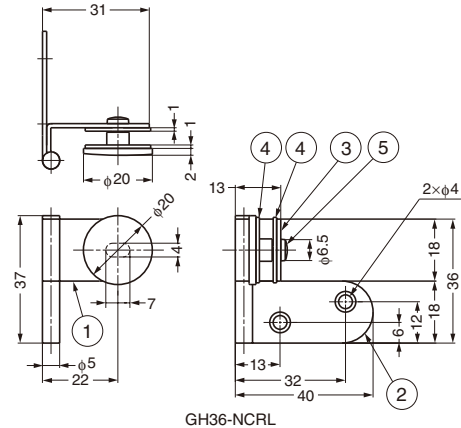
Glass Thickness	A
4	19
5	18
6	17

■ Features

Hinge for glass/acrylic doors.

■ Remarks

Recommended for use in pairs.



GH36-NCR

No.	Part Name	Material	Finish/Colour
①	Body (Male)	Steel	Chrome
②	Body (Female)	Steel	Chrome
③	Plate	Brass	Chrome
④	Washer	Polyvinyl Chloride Resin (PVC)	Clear
⑤	Screw	Steel	Nickel

Item Code	Item Name	Type	Door Width	Door Height	Glass Thickness	Door Weight	Weight	Box	Carton
170-097-958	GH36-NCR	Right	Max. 450	Max. 700	4, 5, 6	Max. 4 kg/2 pcs	26 g	100 pcs	400 pcs
170-097-957	GH36-NCLR	Left	Max. 450	Max. 700	4, 5, 6	Max. 4 kg/2 pcs	26 g	100 pcs	400 pcs

HALF OVERLAY GLASS DOOR HINGE (W/ CATCH)

L=R

GHC34-8



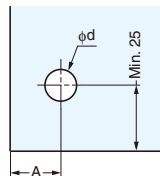
GHC34-8CR-W

GHC34-8CR

GHC34-8G

GHC34-8B

■ Cut Out Dimensions



Glass Thickness	A	Overlay
4	19	7
5	18	6
6	17	5

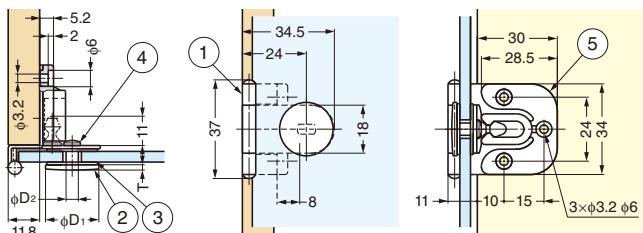
■ Features

● Hinge for glass/acrylic doors.

● Holds door in closed position without secondary support.

■ Remarks

Recommended for use in pairs.



No.	Part Name	Material	Finish/Colour
①	Body	GHC34-8G	Steel
①	Body	GHC34-8B	Stainless Steel (SUS304)
①	Body	GHC34-8CR	Steel
②	Plate	GHC34-8G	Brass
②	Plate	GHC34-8B	Aluminium Alloy
②	Plate	GHC34-8CR	Brass
③	Washer	Polyvinyl Chloride Resin (PVC)	Clear
④	Screw	GHC34-8CR, GHC34-8B/Steel	Nickel
④	Screw	GHC34-8G/Brass	Plain
⑤	Catch	Polyacetal (POM)	Black
⑤	Catch	Polyacetal (POM)	White (GHC34-8CR-W)

Item Code	Item Name	D ₁	D ₂	d	T	Door Width	Door Height	Glass Thickness	Door Weight	Weight	Box	Carton
170-083-524	GHC34-8G	20	6.5	8	2	Max. 450	Max. 700	4, 5, 6	Max. 4 kg/2 pcs	36 g	40 pcs	600 pcs
170-083-508	GHC34-8B	21	8	10	3	Max. 450	Max. 700	4, 5, 6	Max. 4 kg/2 pcs	32 g	40 pcs	600 pcs
170-083-523	GHC34-8CR	20	6.5	8	2	Max. 450	Max. 700	4, 5, 6	Max. 4 kg/2 pcs	36 g	40 pcs	600 pcs
170-083-516	GHC34-8CR-W	20	6.5	8	2	Max. 450	Max. 700	4, 5, 6	Max. 4 kg/2 pcs	36 g	40 pcs	600 pcs

GLASS DOOR HINGE



XL-GH01-600



■ Features

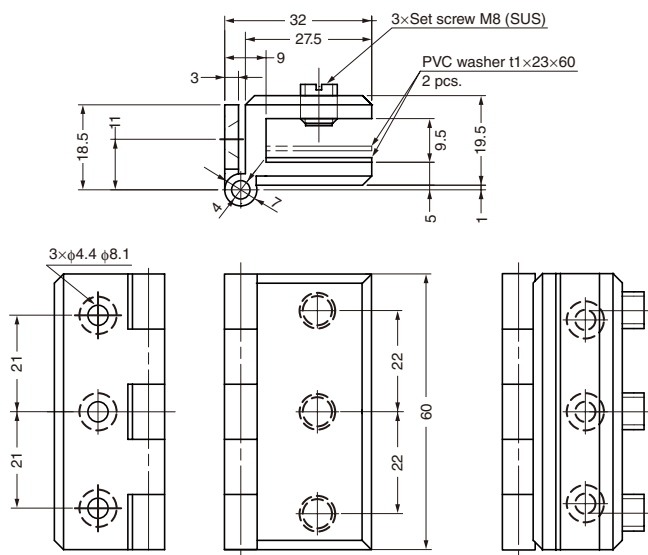
Pre-drilling on glass/acrylic not required.

■ Remarks

Use 2 washers for 4 mm door thickness.

■ Parts Included

Countersunk head wood screw 3.5×20



Item Code	Item Name	Material	Finish	Door Width	Door Height	Glass Thickness	Door Weight	Weight	Box	Carton
170-080-501	XL-GH01-600	Stainless Steel (SCS13)	Mirror	Max. 450	Max. 1300	4, 5, 6, 8	Max. 11 kg/2 pcs	188 g	10 pcs	50 pcs

※SCS13 is equivalent of SUS304.

GLASS DOOR HINGE



XL-GH01-250



■ Features

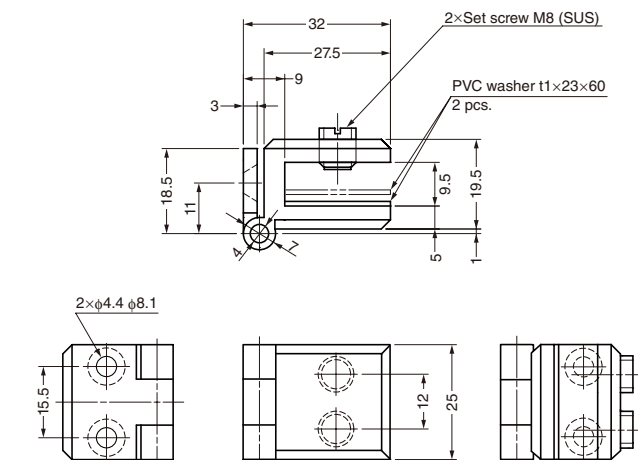
Pre-drilling on glass/acrylic not required.

■ Remarks

Use 2 washers for 4 mm door thickness.

■ Parts Included

Countersunk head wood screw 3.5×20



Item Code	Item Name	Material	Finish	Door Width	Door Height	Glass Thickness	Door Weight	Weight	Box	Carton
170-080-500	XL-GH01-250	Stainless Steel (SCS13)	Mirror	Max. 400	Max. 600	4, 5, 6, 8	Max. 4.8 kg/2 pcs	60 g	10 pcs	100 pcs

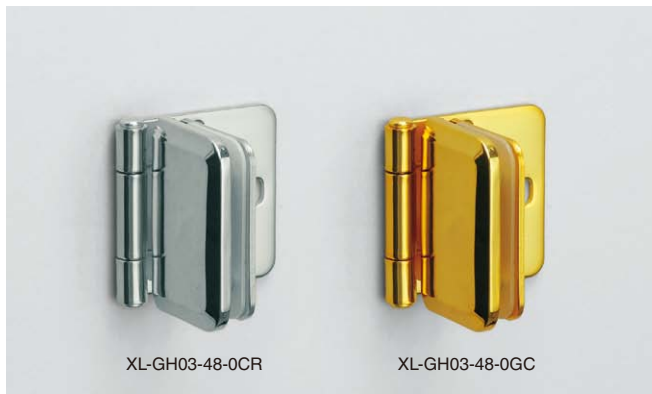
※SCS13 is equivalent of SUS304.

INSET GLASS DOOR HINGE

L=R

STAINLESS
304
STEEL

XL-GH03-48-0



XL-GH03-48-0CR

XL-GH03-48-0GC

■ Features

Hinge for medium size glass/acrylic doors.

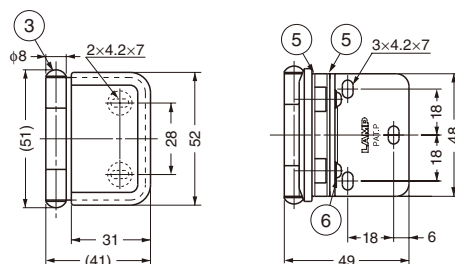
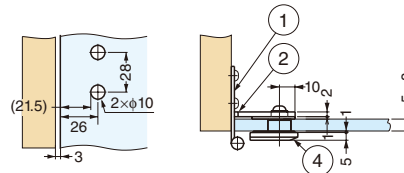
■ Remarks

Recommended for use in pairs.

■ Parts Included

- Washer (2 pcs.)
- Truss head screw M4 × 12 (2 pcs.)

■ Cut Out Dimensions



No.	Part Name	Material	Finish/Colour	
			CR	GC
①	Hinge Plate	Stainless Steel (SUS304)	Mirror	Gold, Clear
②	Arm	Stainless Steel (SUS304)	Mirror	Gold, Clear
③	Shaft	Stainless Steel (SUS304)	Mirror	Plain, Gold, Clear
④	Plate	Zinc Alloy (ZDC)	Chrome	Gold, Clear
⑤	Spacer	Polyethylene	Natural	Natural
⑥	Screw	Stainless Steel (SUS304)	Plain	Plain, Gold, Clear

Item Code	Item Name	Door Width	Door Height	Glass Thickness	Door Weight	Weight	Box	Carton
170-098-651	XL-GH03-48-0CR	Max. 650	Max. 900	5, 6, 8	Max. 12 kg/2 pcs	132 g	10 pcs	100 pcs
170-098-652	XL-GH03-48-0GC	Max. 650	Max. 900	5, 6, 8	Max. 12 kg/2 pcs	144 g	10 pcs	100 pcs

HALF OVERLAY GLASS DOOR HINGE

L=R

STAINLESS
304
STEEL

XL-GH03-48-8



XL-GH03-48-8CR

XL-GH03-48-8GC

■ Features

Hinge for medium size glass/acrylic doors.

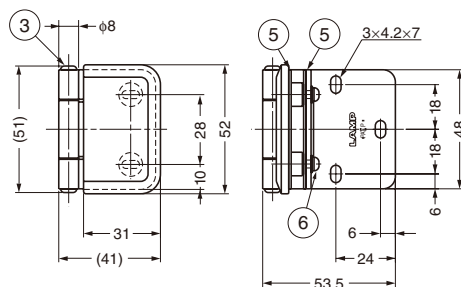
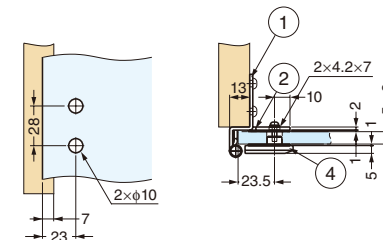
■ Remarks

Recommended for use in pairs.

■ Parts Included

- Washer (2 pcs.)
- Truss head screw M4 × 12 (2 pcs.)

■ Cut Out Dimensions

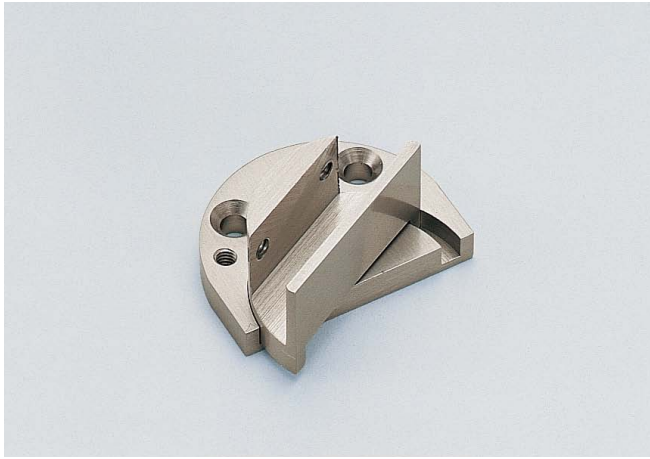


No.	Part Name	Material	Finish/Colour	
			CR	GC
①	Hinge Plate	Stainless Steel (SUS304)	Mirror	Gold, Clear
②	Arm	Stainless Steel (SUS304)	Mirror	Gold, Clear
③	Shaft	Stainless Steel (SUS304)	Mirror	Plain, Gold, Clear
④	Plate	Zinc Alloy (ZDC)	Chrome	Gold, Clear
⑤	Spacer	Polyethylene	Natural	Natural
⑥	Screw	Stainless Steel (SUS304)	Plain	Plain, Gold, Clear

Item Code	Item Name	Door Width	Door Height	Glass Thickness	Door Weight	Weight	Box	Carton
170-098-649	XL-GH03-48-8CR	Max. 650	Max. 900	5, 6, 8	Max. 12 kg/2 pcs	141 g	10 pcs	100 pcs
170-098-650	XL-GH03-48-8GC	Max. 650	Max. 900	5, 6, 8	Max. 12 kg/2 pcs	148 g	10 pcs	100 pcs

INSET GLASS DOOR PIVOT HINGE

L=R GP-40

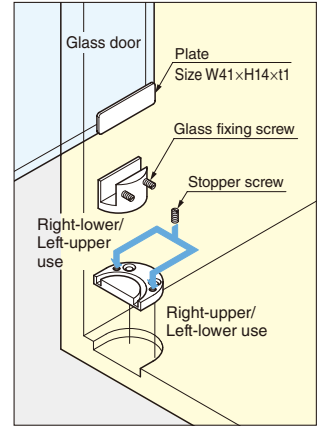
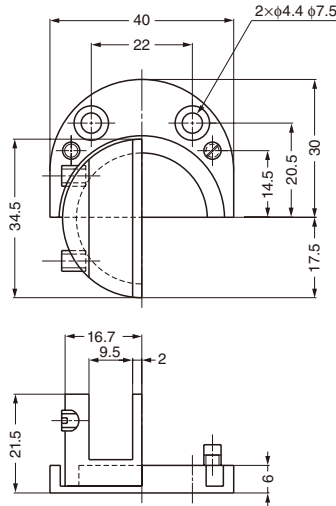


■ Features

Pre-drilling on glass/acrylic not required.

■ Remarks

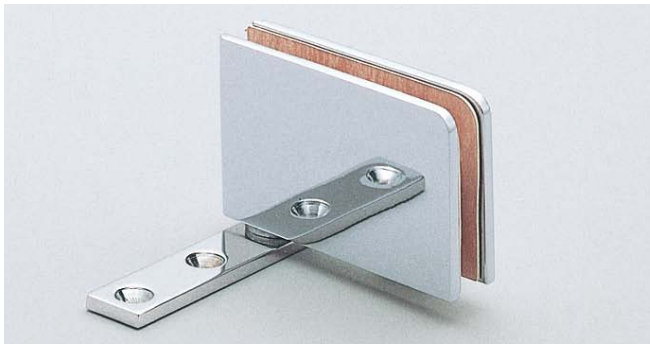
Recommended for use in pairs.



Item Code	Item Name	Material	Finish	Door Width	Door Height	Glass Thickness	Door Weight	Weight	Box	Carton
170-083-506	GP-40	Brass	Satin Nickel	Max. 450	Max. 700	3, 4, 5, 6, 8	Max. 4 kg/2 pcs	76 g	35 pcs	350 pcs

INSET GLASS DOOR PIVOT HINGE

L=R GH-PSL40

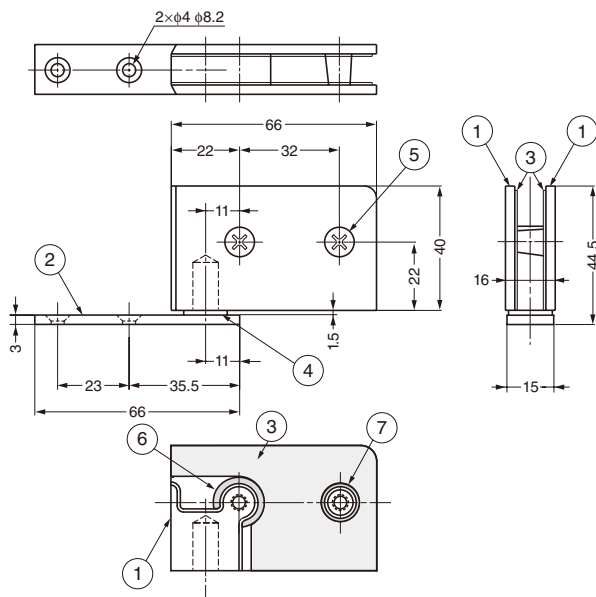


■ Features

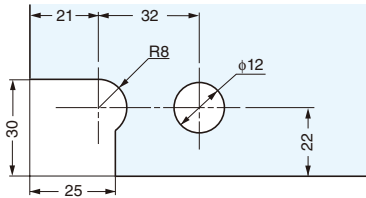
Rotates 360°.

■ Remarks

Sold in pairs.



■ Cut Out Dimensions

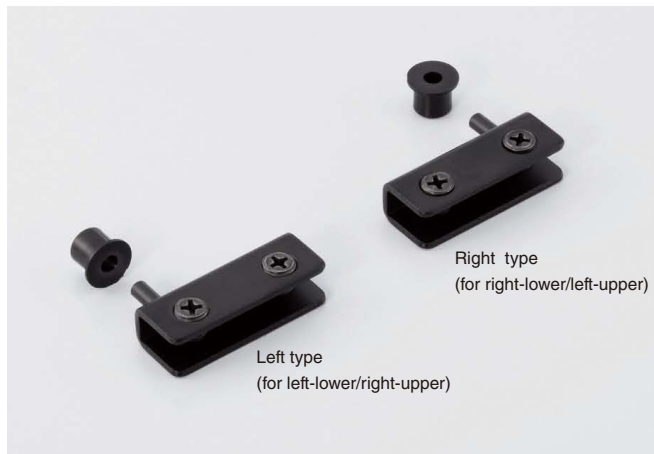


No.	Part Name	Material	Finish/Colour
①	Body	Brass	Chrome
②	Plate	Brass	Chrome
③	Spacer	Polyvinyl Chloride Resin (PVC)	Clear
④	Washer	Polyamide (PA)	White
⑤	Screw	Brass	Chrome
⑥	Gasket	Polyvinyl Chloride Resin (PVC)	Clear
⑦	Gasket	Polyvinyl Chloride Resin (PVC)	Clear

Item Code	Item Name	Door Width	Door Height	Glass Thickness	Door Weight	Weight	Box	Carton
170-080-038	GH-PSL40	Max. 650	Max. 2000	8	Max. 20 kg/set	400 g	5 sets	40 set

INSET GLASS DOOR PIVOT HINGE

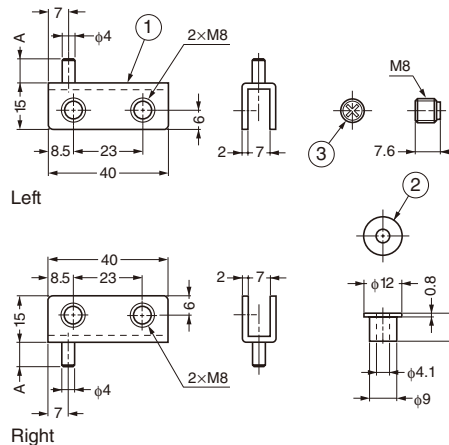
GPH



GPH-41HR/HL-G shown.

■Remarks

- Please use in pairs. Can not be used separately.
Left: For left-lower/right-upper
Right: For right-lower/left-upper
- GPH-40R-G and GPH-40L-G should be used with the socket PHB4 (below).



No.	Part Name	Material	Finish/Colour
①	Hinge	Steel	Paint/Black
②	Support	Polypropylene (PP)	Black
③	Screw	Steel	Black

Item Code	Item Name	Type	A	Door Width	Door Height	Glass Thickness	Door Weight	Weight	Box	Carton
170-080-032	GPH-40R-G	Right	4	Max. 450	Max. 700	4, 5	Max. 4 kg/pair	25 g	100 pcs	600 pcs
170-080-033	GPH-40L-G	Left	4	Max. 450	Max. 700	4, 5		25 g	100 pcs	600 pcs
170-080-030	GPH-41HR-G	Right	9	Max. 450	Max. 700	4, 5	Max. 4 kg/pair	25.5 g	100 pcs	1800 pcs
170-080-031	GPH-41HL-G	Left	9	Max. 450	Max. 700	4, 5		25.5 g	100 pcs	1800 pcs

SOCKET FOR GPH40 PIVOT HINGE

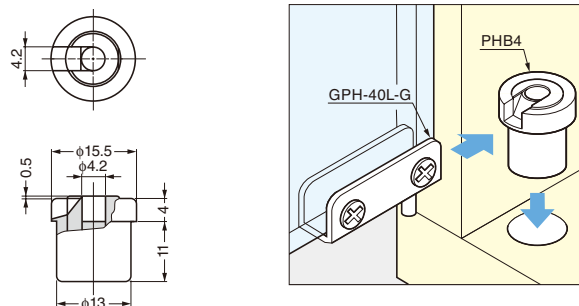
L=R PHB4



■Features

- Bottom socket for GPH-40 glass door hinge.
- Use GPH-41 hinge on upper side.

■Installation



Item Code	Item Name	Material	Colour	Weight	Carton
170-083-509	PHB4	Polyamide (PA)	Black	5 g	400 pcs

GLASS DOOR BRACKET



HES3D-G90BKT

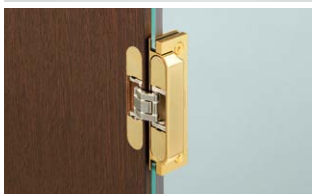


■ Features

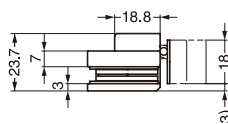
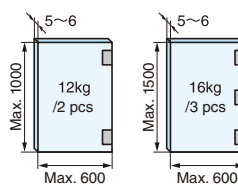
- Glass door bracket for HES3D-90 series.
- Screw covers match the bracket with the finish.

■ Parts Included

- Hexagon socket countersunk head screw M5 x 12
- Countersunk head screw M4 x 12
- Screw covers
- Hex key size 3

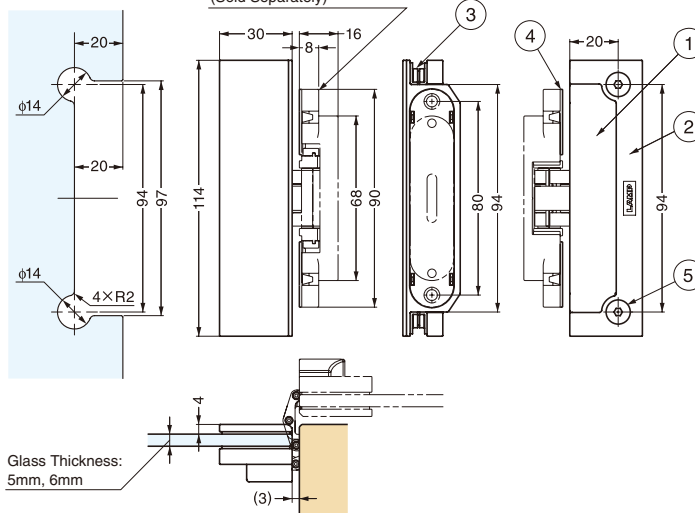


■ Door Dimensions and Number of Hinges



■ Cut Out Dimensions

Concealed Hinge HES3D-90 (Sold Separately)



Glass Thickness:
5mm, 6mm

No.	Part Name	Material	Finish		
			CR	GP	BL
①	Body	Zinc Alloy (ZDC)	Chrome	24K Gold plating	Black Enamel Finish
②	Back Plate				
③	Gasket	Chloroprene Rubber (CR)	—	—	—
④	Screw Cover	ABS	Chrome	24K Gold plating	Black
⑤	Hexagon Socket Countersunk Head Screw M5 x 12	Steel			Black Enamel Finish

Item Code	Item Name	Colour	Weight g	Box pcs	Carton pcs
170-035-802	HES3D-G90BKT-CR	Silver	245	2	24
170-035-803	HES3D-G90BKT-GP	Gold	245	2	24
170-035-804	HES3D-G90BKT-BL	Black	245	2	24



HES3D-90

3-WAY ADJUSTABLE CONCEALED HINGE

HINGES

3-WAY ADJUSTABLE CONCEALED HINGE

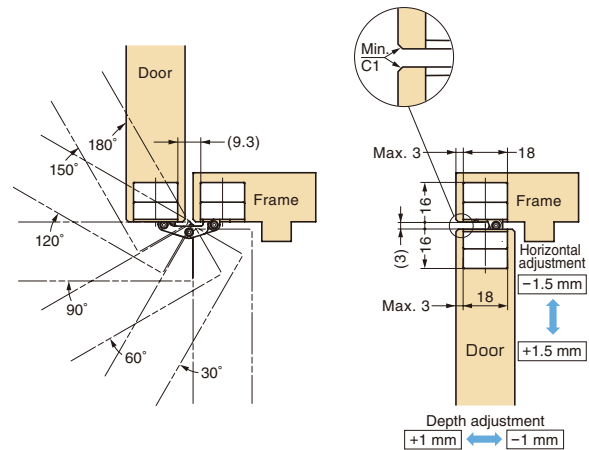
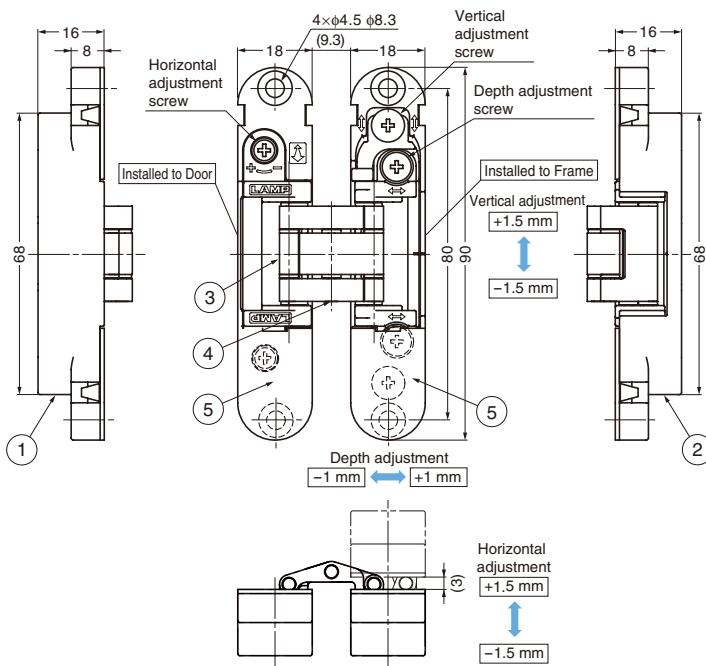


■ Features

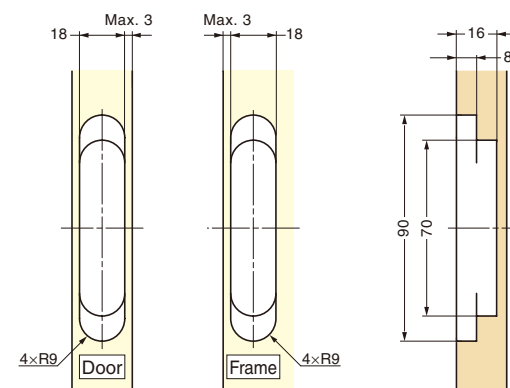
- 3-way adjustment function allows vertical, horizontal, and depth adjustment after hinge installed.
- Cover hides all screw heads for clean appearance.
- Special colour is possible to make as made to order. For further details, please contact local representatives.
- Door weight : Max. 12 kg /2 pcs, 16 kg /3 pcs
- Door thickness : Min. 23 mm
- Door width : Max. 600 mm
- Door height : 1500 mm recommended. Taller doors are possible if the weight is within specification.

■ Parts Included

Countersunk head screw 4 × 20 (4 pcs./hinge)



■ Cut Out Dimensions



No.	Part Name	Material	Finish		
			DC	DN	BL
①	Body	Zinc Alloy (ZDC)	Satin Chrome	Satin Nickel	Black
②	Base Frame	Zinc Alloy (ZDC)	Satin Chrome	Satin Nickel	Black
③	Arm	Zinc Alloy (ZDC)	Satin Chrome	Satin Nickel	Black
④	Shaft	Stainless Steel	—	—	—
⑤	Cover	ABS	Satin Chrome	Satin Nickel	Black

Item Code	Item Name	Colour	Door Width	Door Height	Door Thickness	Door Weight		Opening Angle	Weight	Box	Carton
170-029-221	HES3D-90DC	Silver	Max. 600	Max. 1500	Min. 23	Max. 12 kg/2 pcs	Max. 16 kg/3 pcs	180°	198 g	2 pcs	48 pcs
170-029-222	HES3D-90DN	Champagne Gold	Max. 600	Max. 1500	Min. 23	Max. 12 kg/2 pcs	Max. 16 kg/3 pcs	180°	198 g	2 pcs	48 pcs
170-033-588	HES3D-90BL	Black	Max. 600	Max. 1500	Min. 23	Max. 12 kg/2 pcs	Max. 16 kg/3 pcs	180°	198 g	2 pcs	48 pcs