



**Concept
Latch Lock & Hinge**

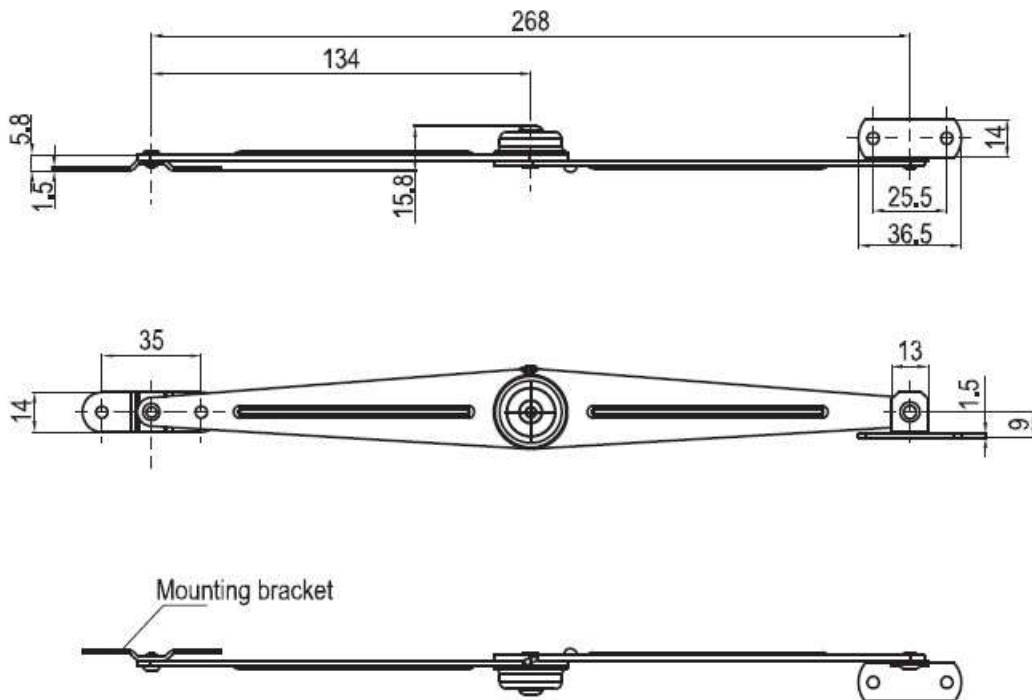
Cover Stay

Material: Nickel Plated Mild Steel

268mm Open

Part No.: 6102-01 Left Hand

Part No.: 6102-02 Right Hand



www.conceptlatch.com.au
sales@conceptlatch.com.au
03 9388 2551