



**Concept
Latch Lock & Hinge**

Telescopic Cover Stay

Material: Nickel Plated Mild Steel

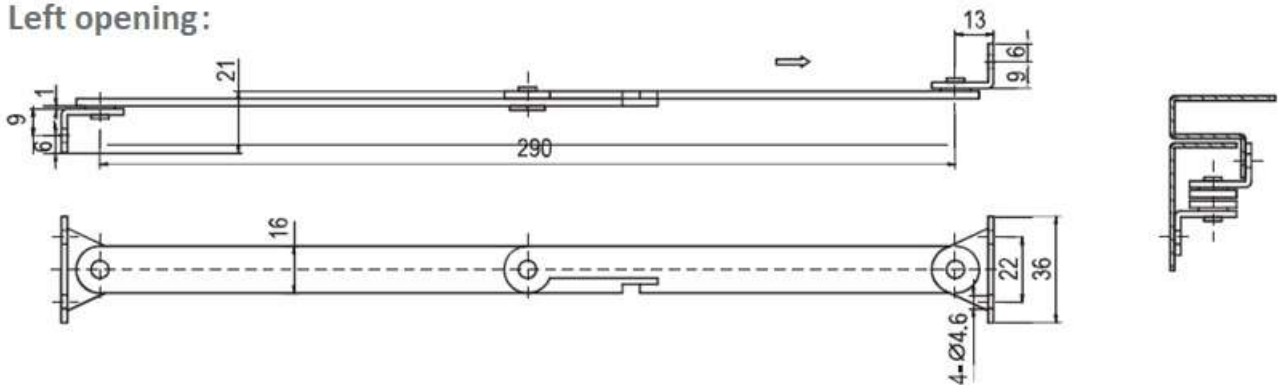
290mm Open

Part No.: 6104-01 Left Hand

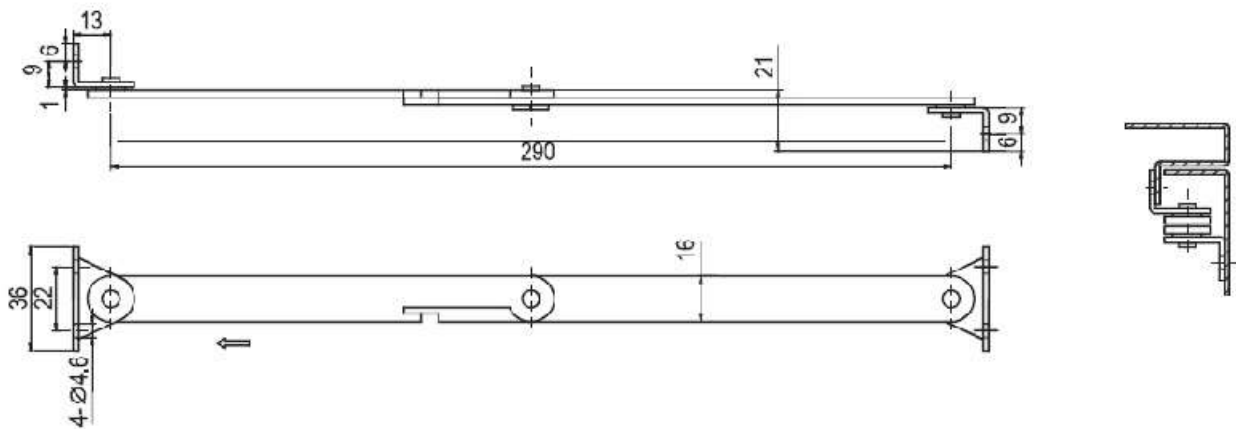
Part No.: 6104-02 Right Hand



Left opening:



Right opening:



www.conceptlatch.com.au
sales@conceptlatch.com.au
03 9388 2551