



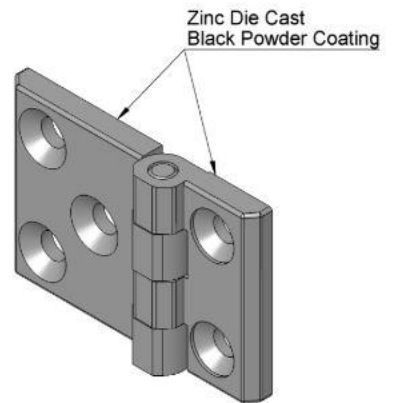
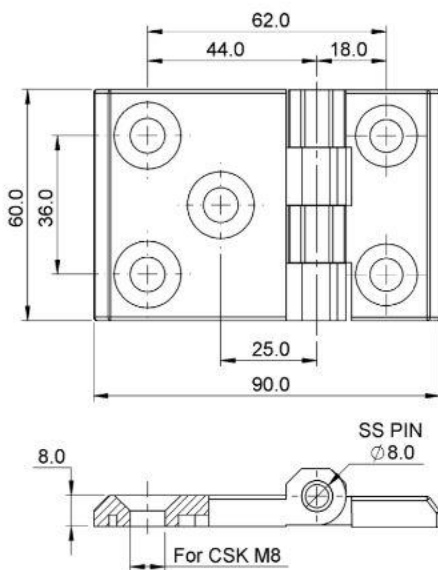
Concept Latch Lock & Hinge

DHFM-6090

Zinc Die Cast with Black Powder Coating

Opening Angle: **180°**

Hole Size: **CSK M8-DC**



Opening angle 180°

Avg Axial Break Load (Kg)	Avg Radial Break Load (Kg)	Avg Axial Working Load (Kg)	Avg Radial Working Load (Kg)
593	988	56	82