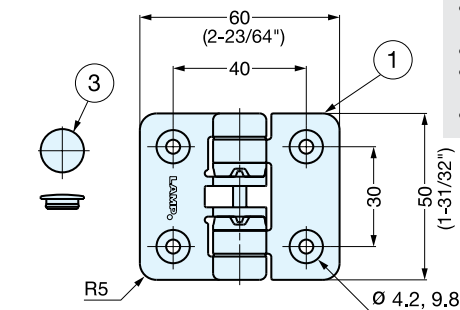


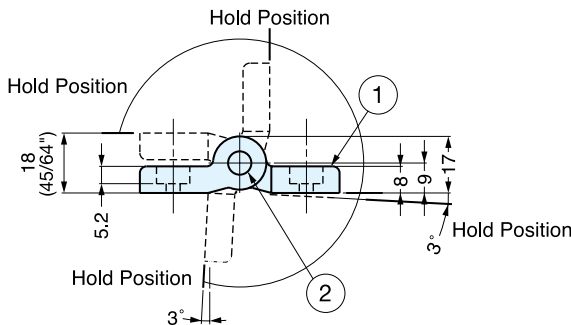
DETENT HINGE



HG-YJ50



- Plastic hinge holds doors at 4 different positions (90° each) without secondary support.
- Ivory or Black available.
- Door sizes Max. W400 x H500 mm/pair (W15-3/4" x 19-11/16" /pair)
- Door weight: Max.1.2 kg/pair (2.6 lbs/pair)



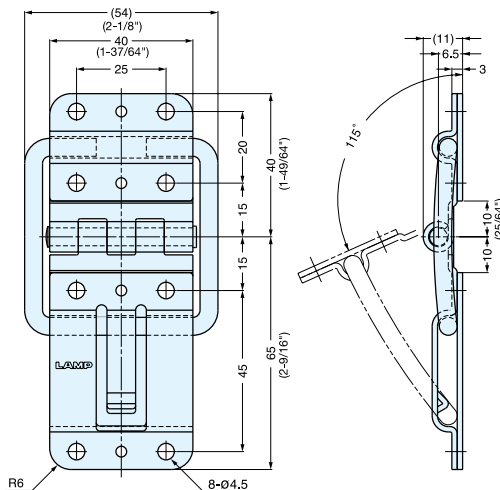
Item No.	Catch Release Torque (kgf-cm)	Weight (g)	Box (pcs)	Carton (pcs)
HG-YJ50/IV	5 (4.3 lbs-in)	30	20	200
HG-YJ50/BL				

No.	Part Name	Material	Color
①	Body	Polycetal	Ivory/Black
②	Hinge Pin	303 Stainless Steel	Plain
③	Cap	Polypropylene	Ivory/Black

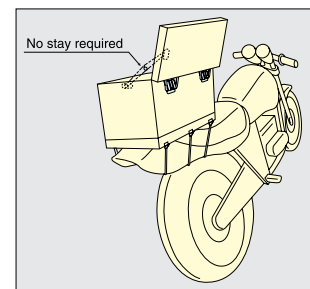
DETENT HINGE



HG-YC105



- Snaps in at 115° open position.
- Holds doors open without secondary support.



Item No.	Catch Release Torque (kgf-cm)	Weight (g)	Box (pcs)	Carton (pcs)
HG-YC105	12 (10.4 lbs-in)	122	10	100

Material	Finish
304 Stainless Steel	Polished