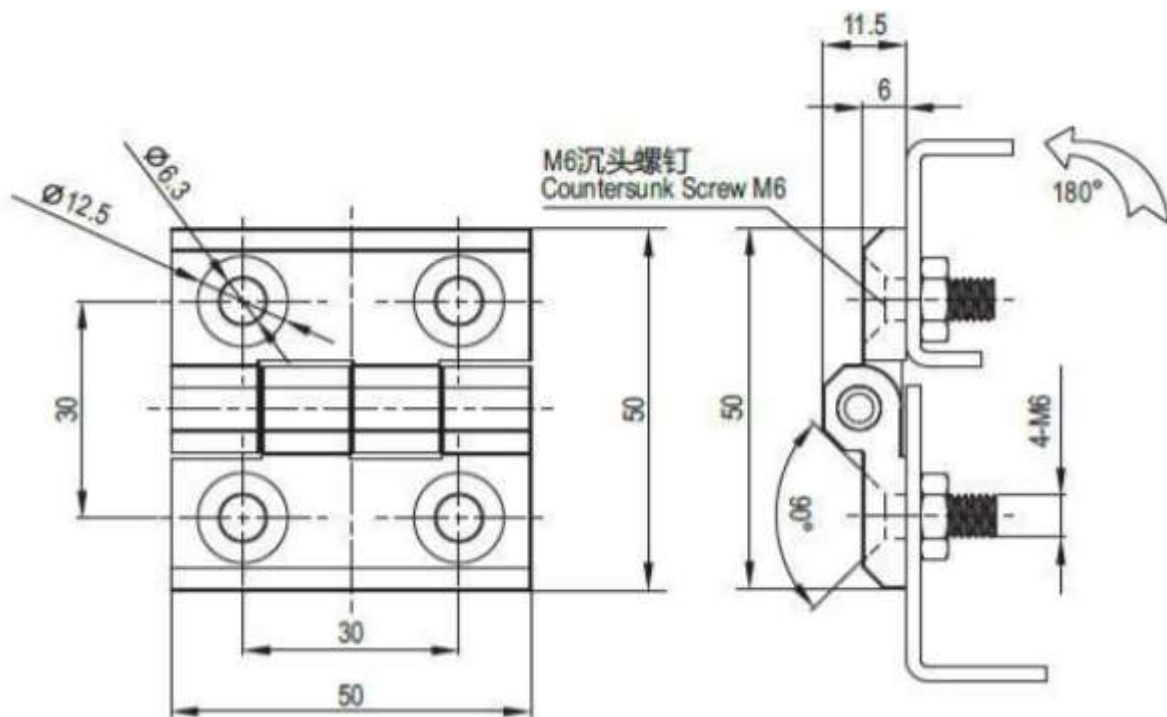


## Diecast Hinge 2101-500

- Zinc diecast, black powder coated
- 180 degree opening angle
- Size 50 x 50mm, 6mm thick
- Countersunk M6 screw
- Also in chrome 2101-500-30 & stainless steel 2101-500-316



All measurements are in mm