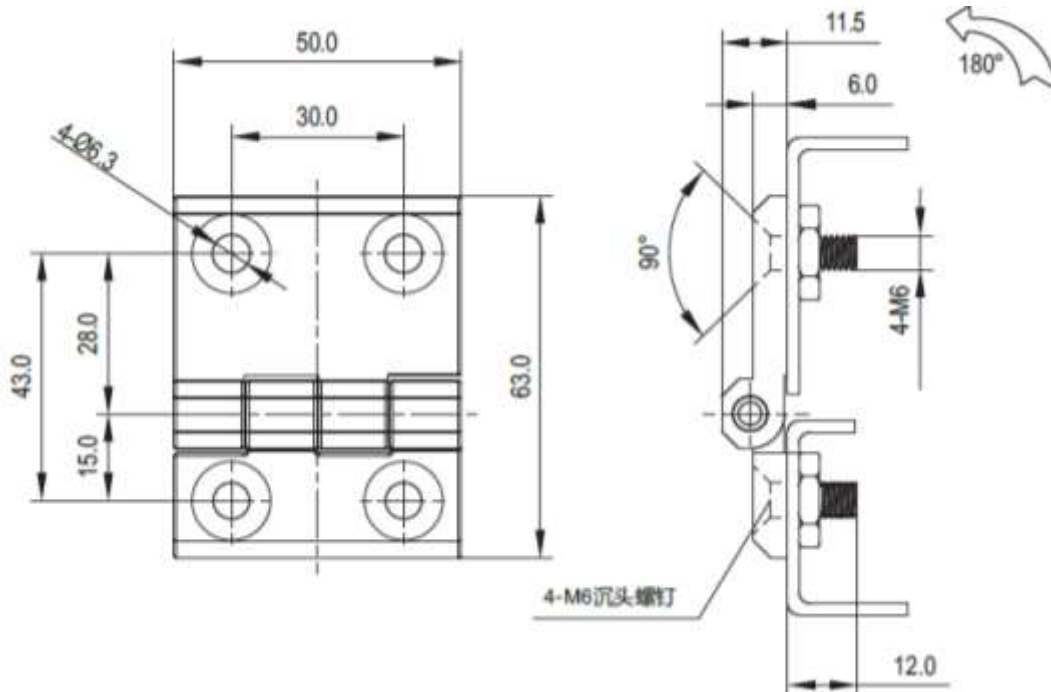
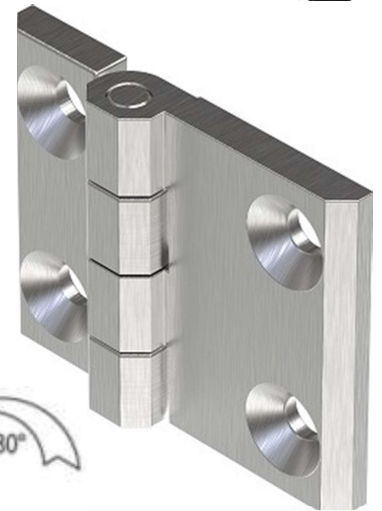




## Diecast Hinges 2101-563

- Zinc diecast, black powder coated
- 180 degree opening angle
- Size 50 x 63mm, 6mm thick
- M6 threaded studs
- Available in chrome 2101-563-30 & stainless steel 2101-563-SUS



All measurements are in mm