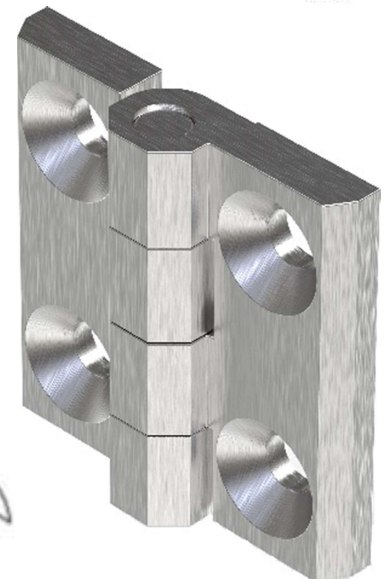
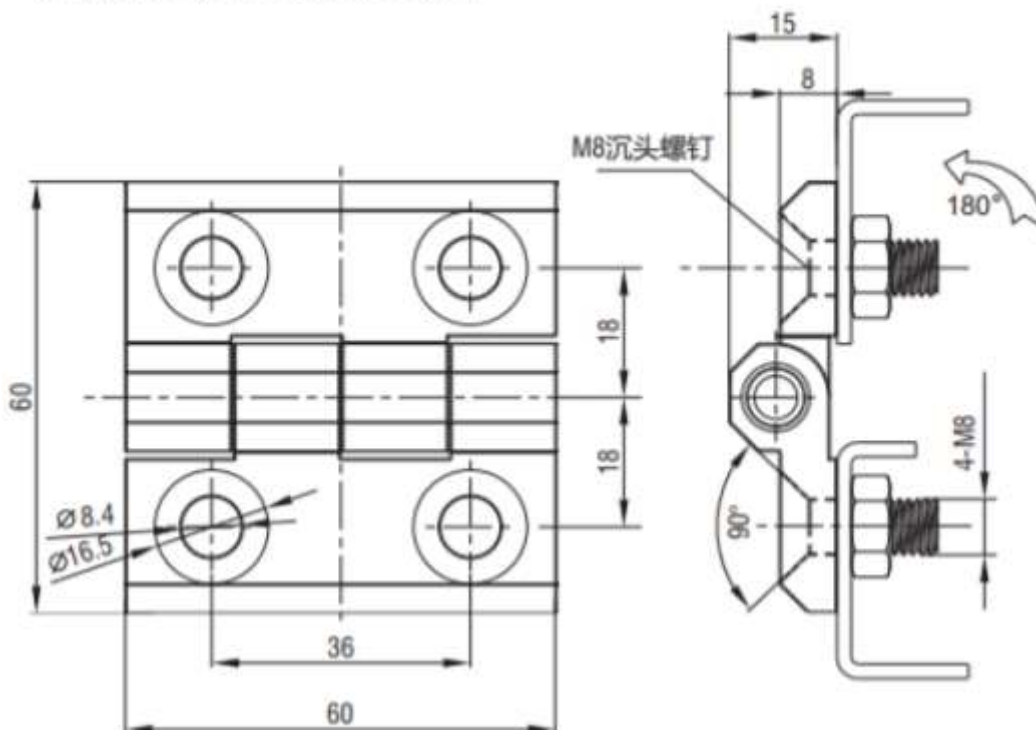


Diecast Hinge 2101-600-10

- Zinc diecast, black powder coated
- 180 degree opening angle
- Size 60 x 60mm, 8mm thick
- M8 Countersunk screw holes
- Chrome P/N 2101-600-30 & stainless steel P/N 2101-600-316
- M8x12mm threaded stud mounted version P/N 2101-601-20



M8 沉头螺钉固定 Countersunk Screw M8



All measurements are in mm