

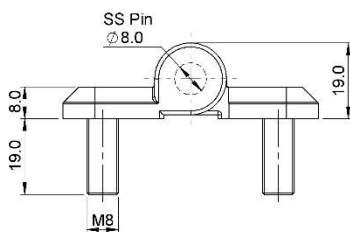
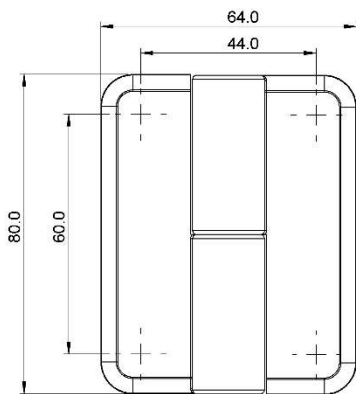


**Concept
Latch Lock & Hinge**

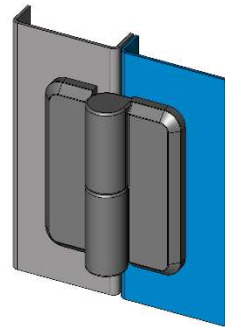
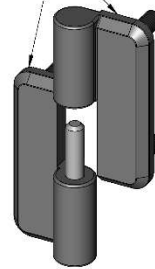
Zinc Diecast Hinge 8060

- Left & Right Hand Hinge
- Zinc diecast, black powder coated
- 180 degree opening angle

Left Hand Hinge Shown



Zinc Die Cast
Black Powder Coating
Matt Finish



TORQUE VALUE FOR STUD : 4Kg-m

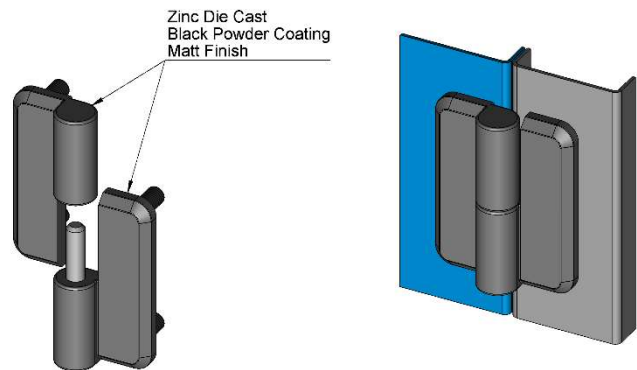
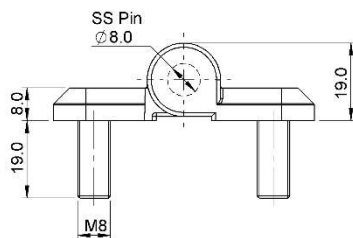
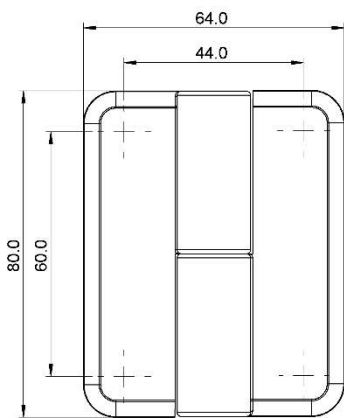
Avg Axial Break Load (Kg)	Avg Radial Break Load (Kg)	Avg Axial Working Load (Kg)	Avg Radial Working Load (Kg)
616	494	42	37

Opening Angle 180°

All dimensions are in mm

www.conceptlatch.com.au
sales@conceptlatch.com.au
03 9388 2551

Right Hand Hinge Shown



TORQUE VALUE FOR STUD : 4Kg-m

Avg Axial Break Load (Kg)	Avg Radial Break Load (Kg)	Avg Axial Working Load (Kg)	Avg Radial Working Load (Kg)
616	494	42	37

Opening Angle 180°

All dimensions are in mm