



Diecast Lift Off Hinge 2201 In Line

- Zinc diecast, black powder coated
- Size 63 x 17.5mm
- In line lift off hinge
- P/N 2201-500-10 Version A
- P/N 2201-501-10 Version B
- Chrome options:
 - P/N 2201-500-30 Version A
 - P/N 2201-501-30 Version B

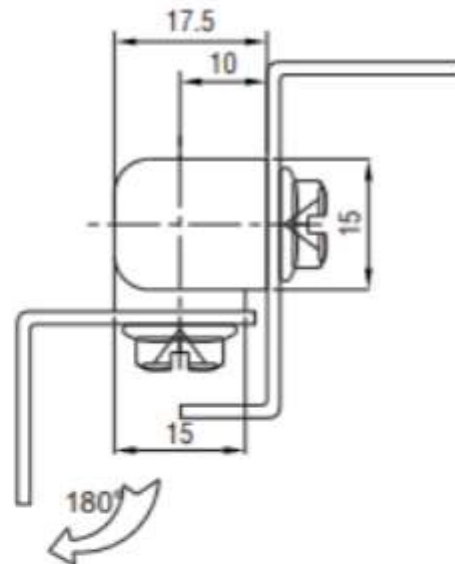
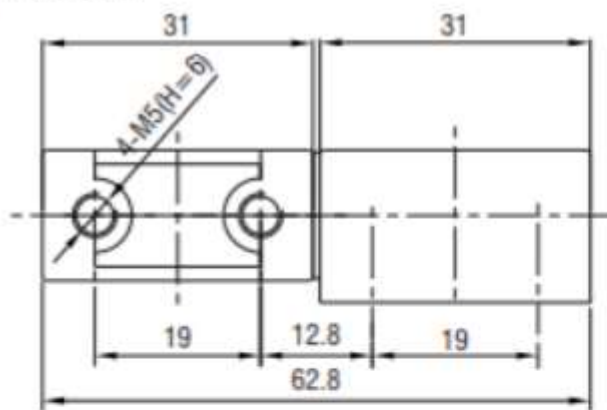


Version A

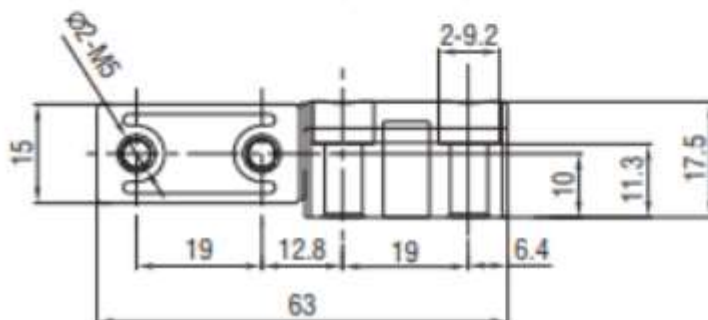
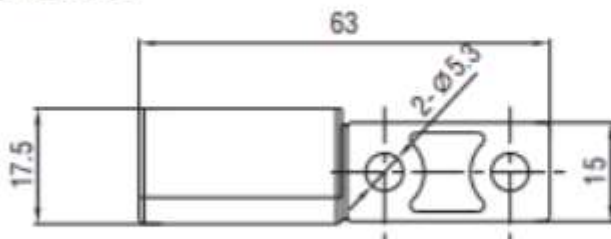


Version B

A型 Version A



B型 Version B



All measurements are in mm