



E5 Cam Latch

Zinc · T-handle · Hand operated · Fixed grip

- Single hole install
- Multiple key codes

Material and Finish

Zinc alloy, powder coated or chrome plated and steel, zinc plated

Performance Details

Maximum static load: 330 N (74 lbf)

Sealing Notes

NEMA 4 / IP65 achieved using gasket supplied

Installation Notes

Mounting nut:
Maximum tightening torque:
10 N·m (88 in·lbf)

Screw:
Maximum tightening torque:
10 N·m (90 in·lbf)

Keys

See page 130

Notes

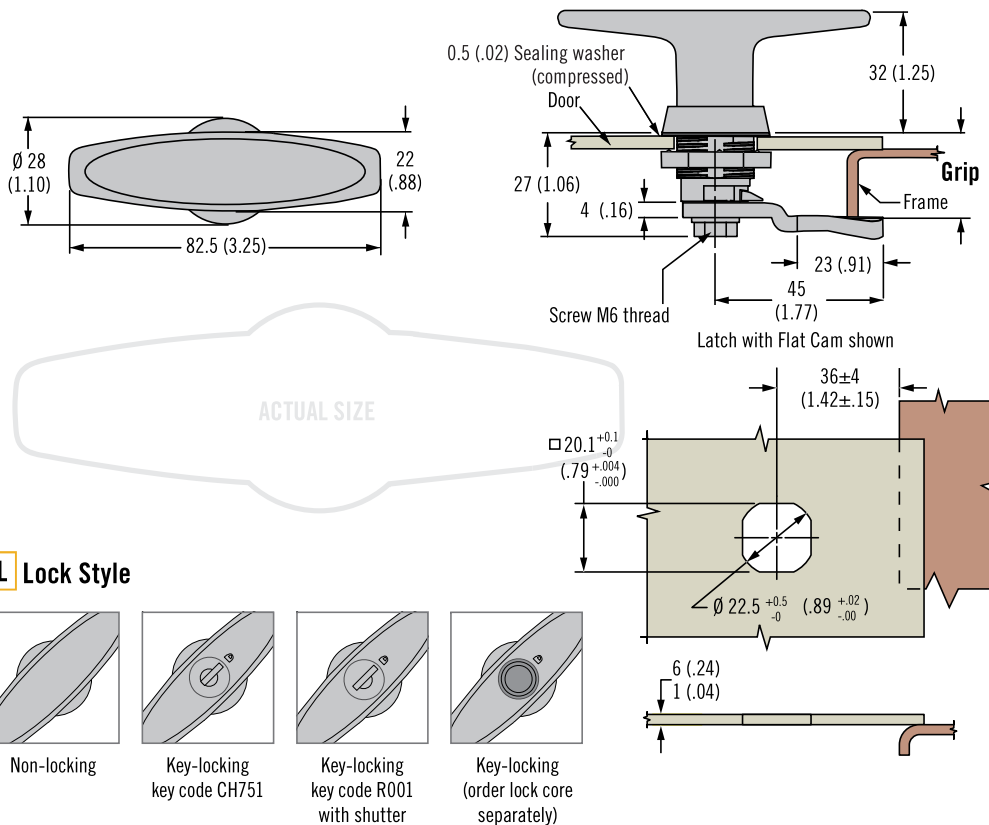
Suitable for push-to-close action
see page 128

For adjustable grip versions see
page 134

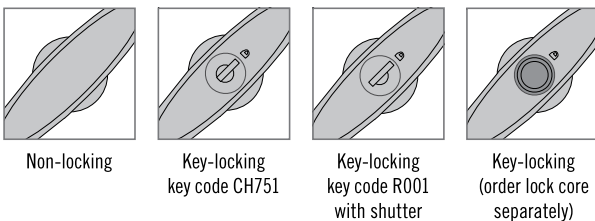
For lock core selection and a
complete overview of the *SOUTHCO*[®]
Key-Choice System see page 158

Part Number Selection

Order latch and cam separately



L Lock Style



Latch Part Number (no cam) → **F** Finish
 2 Bright chrome
 5 Black powder coated

E5 - 9 - L F - UU1 - 1 K

- L** Lock style →
- 60 Non-locking (omit last two digits of part number)
 - 61 Keyed CH751 (lock core finish matches handle finish)
 - 62 Keyed R001 (stainless steel scalp shuttered)
 - 63 Without lock core (omit last two digits of part number)
Order lock core separately, see page 158
- K** Key options →
- 0 No keys supplied (order separately, see page 130)
 - 3 1 Overmolded key supplied

| Cam Part Number Table (order separately from latch) | | | | | | | |
|---|-------------|----------|-------------|-----------|-------------|-----------|-------------|
| Grip | Part Number | Grip | Part Number | Grip | Part Number | Grip | Part Number |
| 4 (.16) | E5-6003 | 14 (.55) | E5-6008 | 24 (.94) | E5-6013 | 34 (1.34) | E5-6018 |
| 6 (.24) | E5-6004 | 16 (.63) | E5-6009 | 26 (1.02) | E5-6014 | 36 (1.42) | E5-6019 |
| 8 (.31) | E5-6005 | 18 (.71) | E5-6010 | 28 (1.10) | E5-6015 | 38 (1.50) | E5-6020 |
| 10 (.39) | E5-6006 | 20 (.79) | E5-6011 | 30 (1.18) | E5-6016 | 40 (1.57) | E5-6021 |
| 12 (.47) | E5-6007 | 22 (.87) | E5-6012 | 32 (1.25) | E5-6017 | 42 (1.65) | E5-6022 |



If grip falls between two choices, use the smaller option
 Dimensions in millimeters (inch) unless otherwise stated



www.southco.com/E5