



E6 Hinge

Position control · Adjustable torque

- Hold doors open, in position
- User-adjusted holding torque

Material and Finish

Leaves: Acetal
 Pin: Polycarbonate
 Adjustment screw & nut: Stainless steel

Performance Details

Radial load:
 Large: 3110 N (700 lbf)
 Medium: 1780 N (400 lbf)

Axial load:
 Large: 2000 N (450 lbf)
 Medium: 890 N (200 lbf)

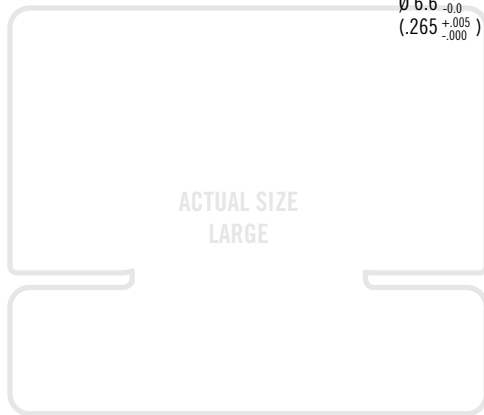
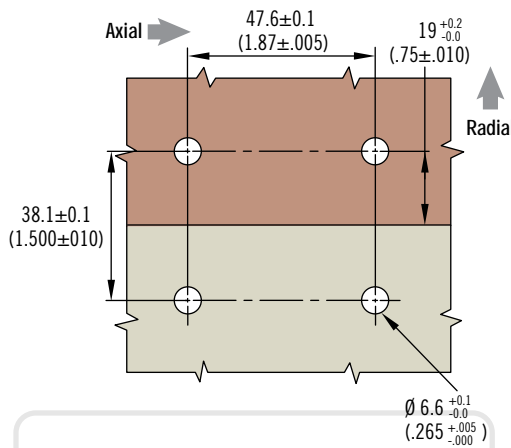
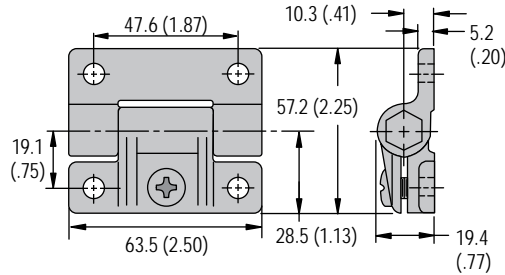
Max. prevailing torque of hinge:
 Large: 4 N·m (35 in·lbf)
 Medium: 0.8 N·m (7 in·lbf)

Operating temperature range:
 -5°C (20°F) to 65°C (150°F)

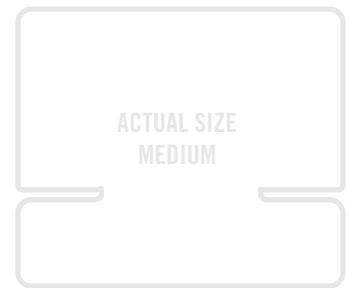
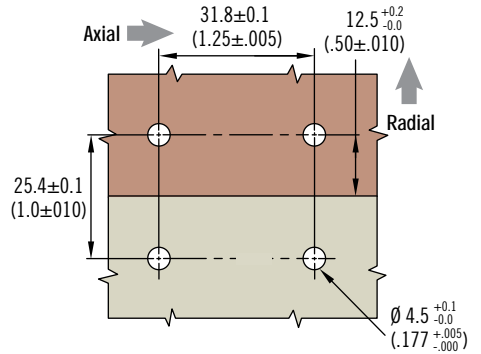
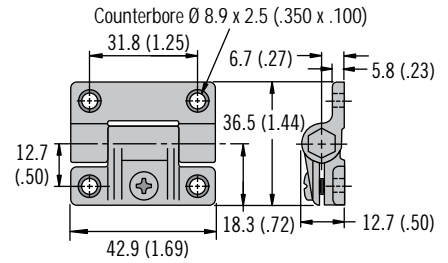
Installation Notes

Mount with:
 Large: M6 (1/4-20)
 Medium: M4 (8-32)
 (screws not supplied)

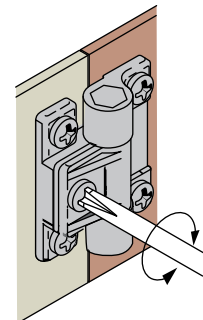
Large



Medium



Torque Adjustment



Part Number

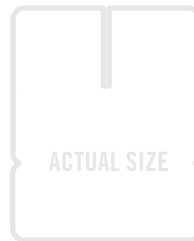
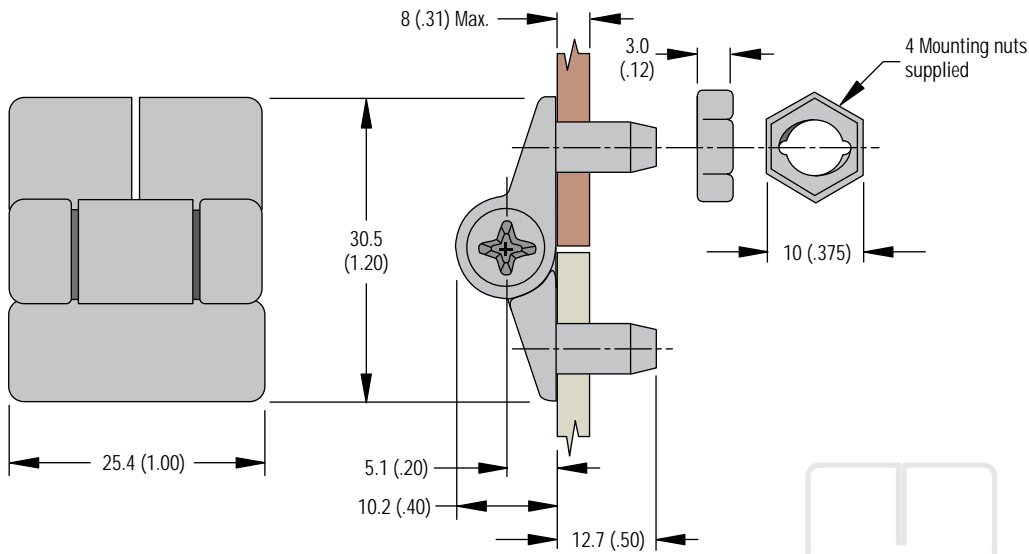
See table

| Part Number | | |
|-------------|--------------|--------------|
| Color | Large | Medium |
| Black | E6-10-501-20 | E6-10-301-20 |
| White | E6-10-501-10 | E6-10-301-10 |

Dimensions in millimeters (inch) unless otherwise stated

E6 Hinge

Position control · Adjustable torque



- Hold doors open, in position
- User-adjusted holding torque

Material and Finish

Acetal, nylon
Mounting hardware:
Steel, zinc plated

Performance Details

Radial load:

Average ultimate load:
1150 N (260 lbf)

Axial load:

Average ultimate load:
950 N (214 lbf)

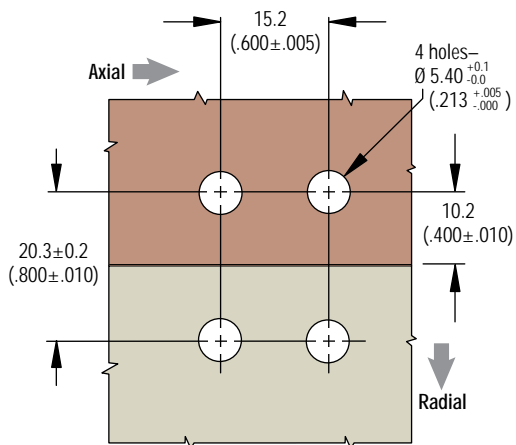
Max. prevailing torque of hinge:
0.25 N·m (2.2 in·lbf)

Operating temperature range:
-5°C (-20°F) to 65°C (150°F)

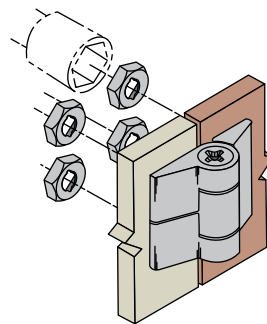
Notes

Packaging: One hinge and four mounting nuts per bag

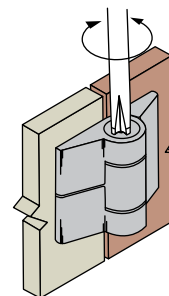
1. Prepare door and frame



2. Mount



3. Adjust torque



| Color | Part Number |
|-------|--------------|
| Black | E6-10-101-20 |
| White | E6-10-101-30 |

Part Number

See table