

Lifting Pins• self-locking EH 22350.



Product Description

All versions are corrosion-resistant. Heavy-duty lifting element for quick and easy use, with moveable shackle and locking stud to provide protection against unintentional unlocking. Special lifting devices e.g. threads for ring bolts, are no longer required on the work piece.

Material

Pin part

- Heat-treated steel, tempered, manganese phosphated

Press button

- Aluminium, red anodised

Shackle

- Heat-treated steel, tempered, manganese phosphated

Spring

- Stainless steel

Assembly

Simple H11 boreholes are sufficient. Each lifting pin contains an instruction manual with an EC Declaration of Conformity.

Operation

The balls are unlocked by pressing the knob.

More information

Notes

- RoHS compliant
- REACH compliant
- Free of conflict minerals

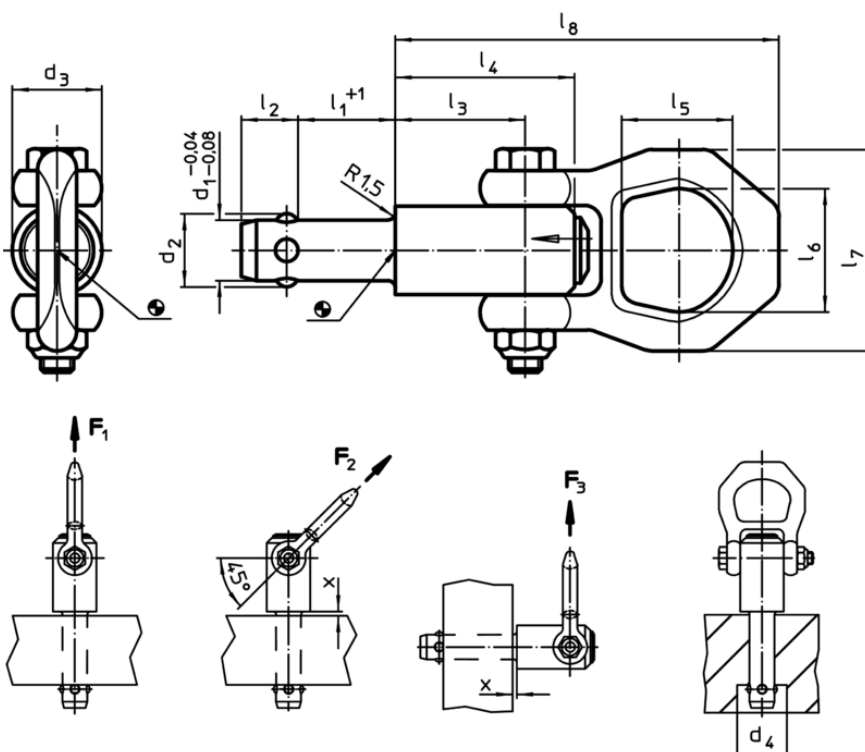
Accessories

Locating bushings 22350.0900 - .0956 for d_1 = 8, 10, 12, 16 and 20 can be supplied as an accessory.

Further products

- Locating Bushings, for lifting pins

Drawing



Order information

d ₁ -0,04 -0,08	l ₁ +1	Dimensions										Carrying force ¹⁾			x		Location hole H11	max. °C	max. g	Art. No.
		d ₂	d ₃	d ₄ min.	l ₂	l ₃	l ₄	l ₅	l ₆	l ₇	l ₈	F ₁	F ₂	F ₃	min.	max.				
		[mm]										[kN]			[mm]					
8,0	10	9,35	21,5	9,85	8,75	25,7	36,0	27,0	30	49	87,5	1,5	1,2	0,5	1,5	5	8,0	250	218	22350.0601
8,0	15	9,35	21,5	9,85	8,75	25,7	36,0	27,0	30	49	87,5	1,5	1,2	0,5	1,5	10	8,0	250	220	22350.0602
8,0	25	9,35	21,5	9,85	8,75	25,7	36,0	27,0	30	49	87,5	1,5	1,2	0,5	1,5	15	8,0	250	223	22350.0604
8,0	35	9,35	21,5	9,85	8,75	25,7	36,0	27,0	30	49	87,5	1,5	1,2	0,5	1,5	15	8,0	250	226	22350.0606
8,3	10	9,65	21,5	10,05	8,75	25,7	36,0	27,0	30	49	87,5	1,5	1,2	0,5	1,5	5	8,3	250	218	22350.0611
8,3	15	9,65	21,5	10,05	8,75	25,7	36,0	27,0	30	49	87,5	1,5	1,2	0,5	1,5	10	8,3	250	219	22350.0612
8,3	25	9,65	21,5	10,05	8,75	25,7	36,0	27,0	30	49	87,5	1,5	1,2	0,5	1,5	15	8,3	250	223	22350.0614
8,3	35	9,65	21,5	10,05	8,75	25,7	36,0	27,0	30	49	87,5	1,5	1,2	0,5	1,5	15	8,3	250	228	22350.0616
10,0	15	11,70	21,5	12,20	10,20	25,7	36,0	27,0	30	49	87,5	2,7	2,4	2,1	1,5	10	10,0	250	226	22350.0621
10,0	25	11,70	21,5	12,20	10,20	25,7	36,0	27,0	30	49	87,5	2,7	2,4	2,1	1,5	10	10,0	250	238	22350.0623
10,0	35	11,70	21,5	12,20	10,20	25,7	36,0	27,0	30	49	87,5	2,7	2,4	2,1	1,5	10	10,0	250	244	22350.0625
10,0	50	11,70	21,5	12,20	10,20	25,7	36,0	27,0	30	49	87,5	2,7	2,4	2,1	1,5	10	10,0	250	252	22350.0627
12,0	15	14,20	21,5	14,70	11,00	25,7	36,0	27,0	30	49	87,5	3,5	3,2	2,8	1,5	10	12,0	250	238	22350.0631
12,0	25	14,20	21,5	14,70	11,00	25,7	36,0	27,0	30	49	87,5	3,5	3,2	2,8	1,5	15	12,0	250	243	22350.0633
12,0	35	14,20	21,5	14,70	11,00	25,7	36,0	27,0	30	49	87,5	3,5	3,2	2,8	1,5	15	12,0	250	251	22350.0635
12,0	50	14,20	21,5	14,70	11,00	25,7	36,0	27,0	30	49	87,5	3,5	3,2	2,8	1,5	15	12,0	250	268	22350.0637
13,8	25	16,20	21,5	16,70	13,00	25,7	36,0	27,0	30	49	87,5	3,8	3,5	2,8	1,5	15	13,8	250	251	22350.0651
13,8	50	16,20	21,5	16,70	13,00	25,7	36,0	27,0	30	49	87,5	3,8	3,5	2,8	1,5	35	13,8	250	279	22350.0653
13,8	75	16,20	21,5	16,70	13,00	25,7	36,0	27,0	30	49	87,5	3,8	3,5	2,8	1,5	35	13,8	250	309	22350.0655
16,0	25	18,60	25,0	19,20	15,10	31,0	44,5	27,0	30	49	92,8	4,8	4,5	4,1	1,5	15	16,0	250	312	22350.0641
16,0	50	18,60	25,0	19,20	15,10	31,0	44,5	27,0	30	49	92,8	4,8	4,5	4,1	1,5	35	16,0	250	353	22350.0643
16,0	75	18,60	25,0	19,20	15,10	31,0	44,5	27,0	30	49	92,8	4,8	4,5	4,1	1,5	40	16,0	250	388	22350.0645
20,0	50	24,50	30,0	25,00	19,70	36,5	52,0	32,6	36	56	114,0	10,0	8,5	6,5	1,5	25	20,0	250	607	22350.0673
20,0	75	24,50	30,0	25,00	19,70	36,5	52,0	32,6	36	56	114,0	10,0	8,5	6,5	1,5	30	20,0	250	666	22350.0675

¹⁾ for a 5-fold safety