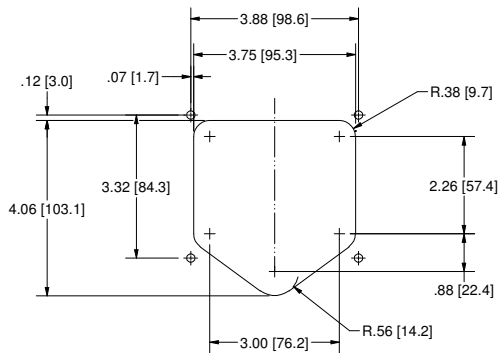
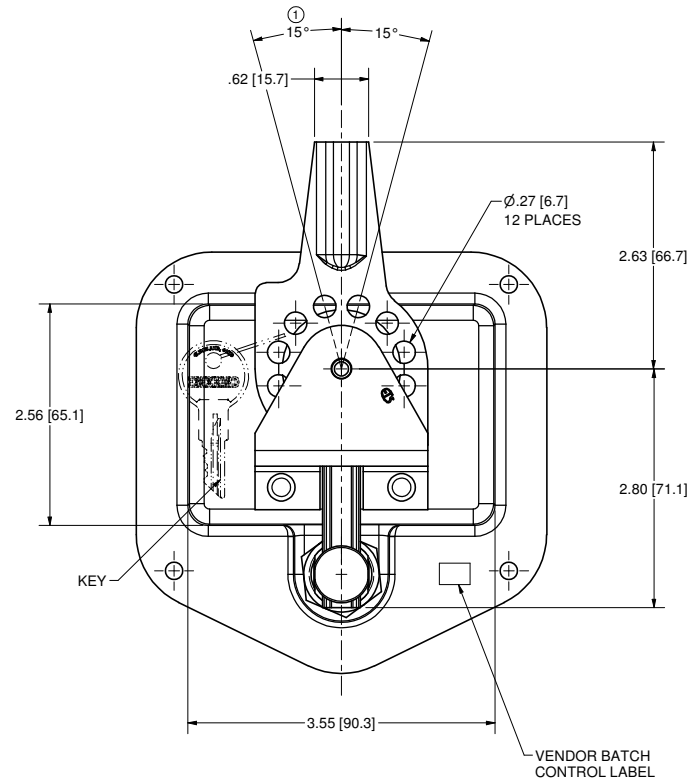
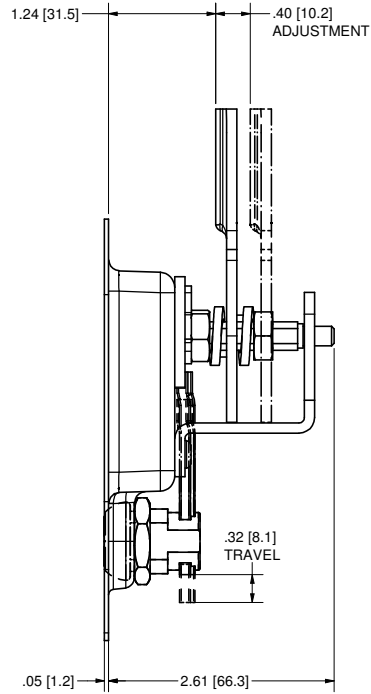
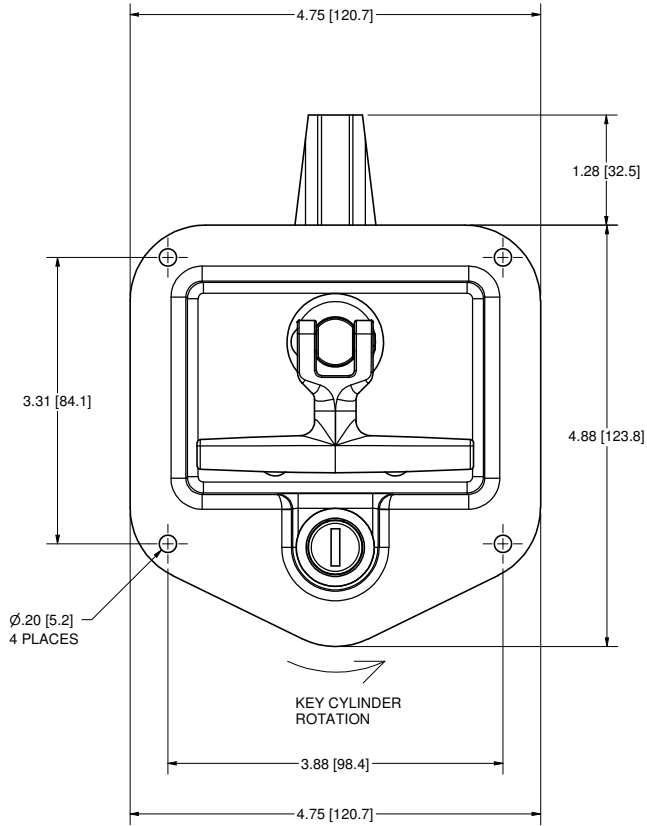


CONFIDENTIAL NOTICE: This drawing and the designs, specifications and engineering information disclosed hereon are the property of Eberhard Manufacturing Company and are not to be disseminated or reproduced without express written consent. The drawing is loaned in confidence and then only for consideration of the matter disclosed hereon. In accepting loan of this drawing, recipient agrees to keep it and the matter disclosed hereon in confidence and not to use nor permit their use in any way (except as to Eberhard Manufacturing Company, Division of the Eastern Company, 2184 Drake Road, Cleveland, Ohio 44149-9712, © 2015 EBERHARD MFG. CO.)

| REVISION HISTORY | | | | | |
|---------------------------|--|------|------------|---------|----------|
| REV | DESCRIPTION | EN | DATE | REV. BY | APVD. BY |
| RELEASE PER PP11694 REV A | | 5725 | 10/16/2015 | MAM | LSW |
| 1 | HOLE PATTERN CHANGED TO 15 DEGREE OFFSET | 5748 | 04/15/2016 | MAM | LSW |



NOTE:
 1. KEY CYLINDER WITH 13 KEY CHANGES. ORDER KEY NO. CH501 THRU CH510, CH751, 1250, AND CH545
 2. FINISH: BRIGHT STAINLESS STEEL FC(10) WITH CHROME HANDLE FC (04)

RIGHT HAND SHOWN
 LEFT HAND OPPOSITE
 CUSTOMER PRINT

SUGGESTED CUTOUT
 HALF SIZE

PRODUCTS ORDER EXAMPLE: EIS12-48750-SSR-509-10

| | | | | | |
|---|--------------|--------------------|--|--|--|
| THIS DOCUMENT IS IN ACCORDANCE WITH ASME Y14.15-2018 | | DATE 10/16/2015 | | NAME KEY LOCKING SINGLE POINT RECESSED FOLDING HANDLE W/ ADJUSTABLE LATCH | |
| UNLESS OTHERWISE SPECIFIED TOLERANCES ARE AS FOLLOWS: | | DR BY MAM/LSW | | MATERIAL | |
| IN MM | | SCALE | | PART NUMBER | |
| 2 PLACE DEC: | ± .03 ± .76 | - | | EIS12-48750-SSRL | |
| 3 PLACE DEC: | ± .015 ± .38 | - | | | |
| ALL HOLES: | ± .005 ± .13 | CHK BY | | | |