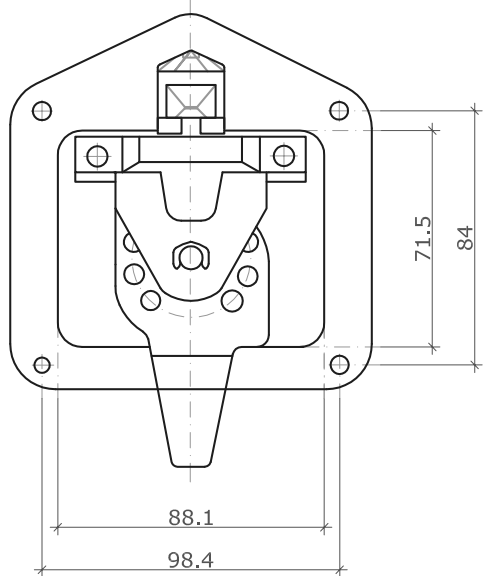
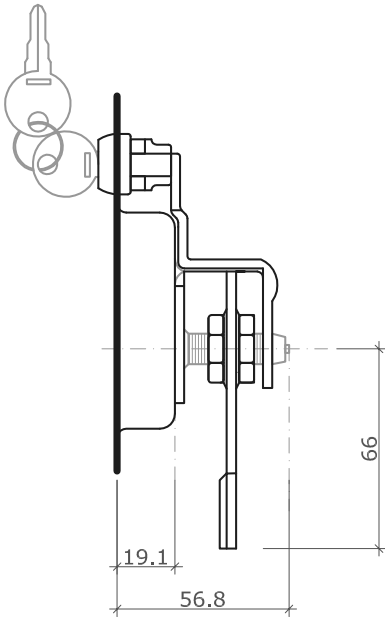
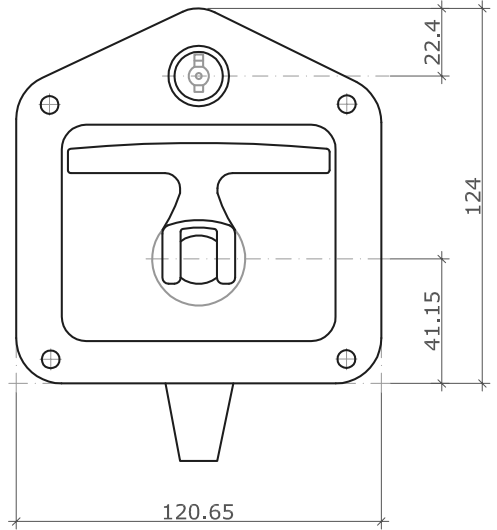




**Concept**  
Latch Lock & Hinge

**address:** 353 Victoria Street, Brunswick, VIC, 3056  
**phone:** 03 9388 2551 fax: 03 9387 5758  
**email:** sales@conceptlatch.com.au  
**web:** www.conceptlatch.com.au  
**ABN:** 53 098 642 641



\*Available in following key combinations: CH501, CH502, CH505, CH510, CH525

<b>PART:</b> <b>10502SS</b>	<b>DESCRIPTION: Drop-T Cam Action Latch - Hole Mounting</b>	
<b>SCALE:</b> not to scale	<b>MATERIAL:</b> Stainless Steel	<b>DATE OF DRAWING:</b> 10/12/10