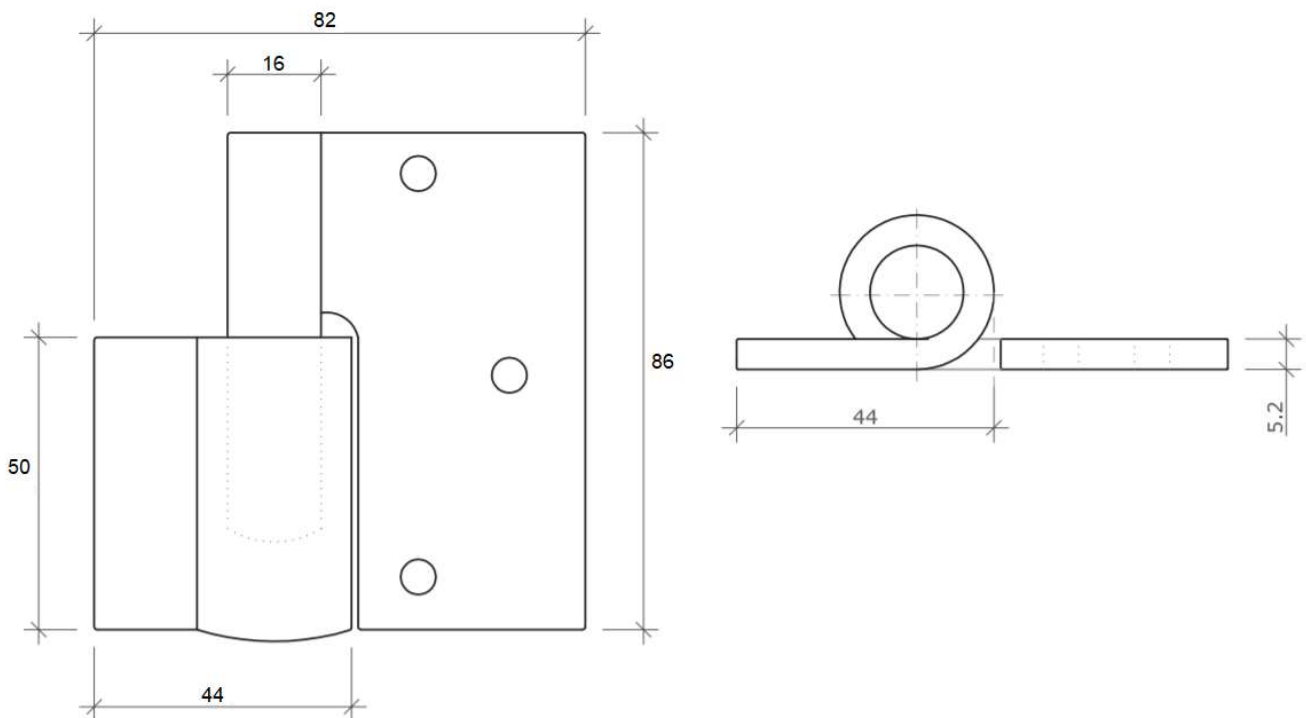


Lift Off Gate Hinge CLLH-18015

- Weld on gate hinge
- Ball bearing
- Material: Zinc Plated Steel
- Dimensions: 5.2 X 82 X 86mm
- Pin: 16mm
- Left Hand CLLH-18015 (as shown)
- Right Hand CLLH-18025



All measurements shown are in mm