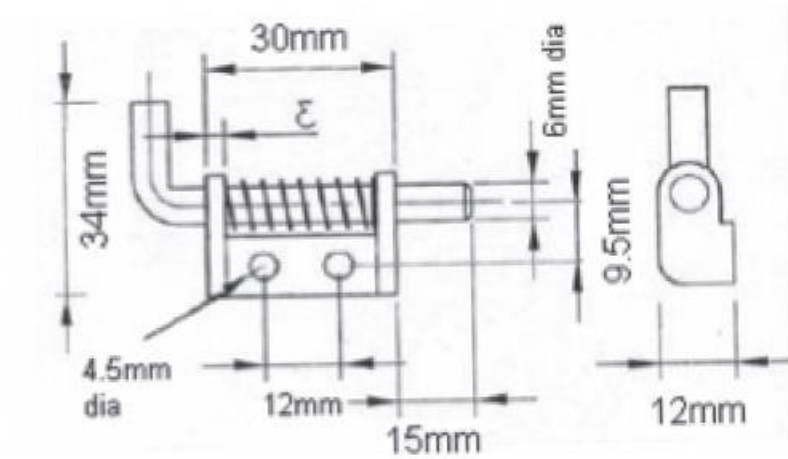


H00117-2RH (LH) Spring Bolt Latch



(Right Hand Shown)