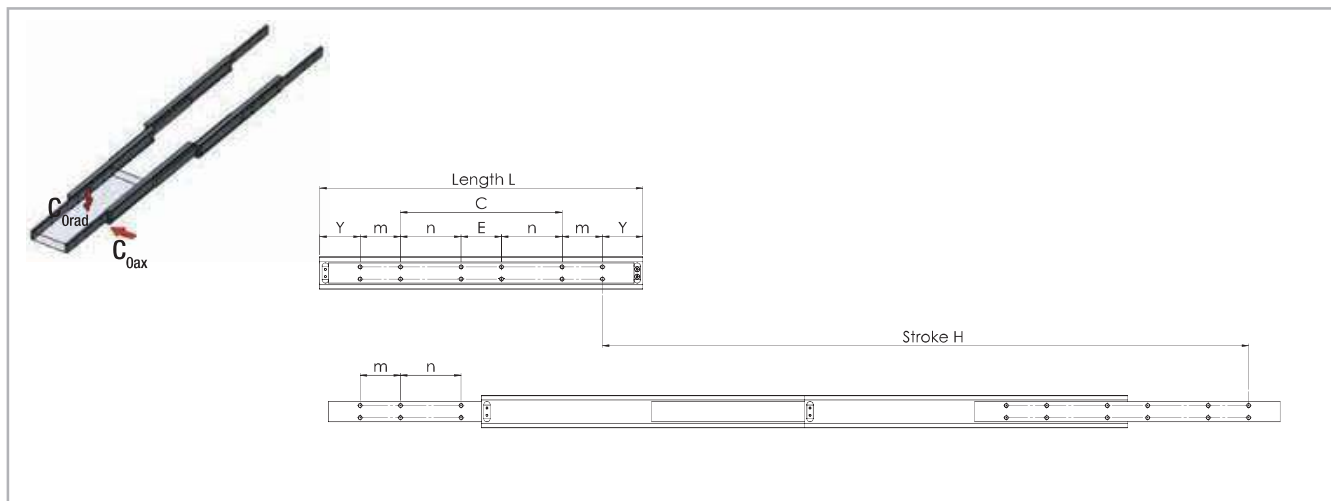


> H2H080



All dimensions are indicated in mm

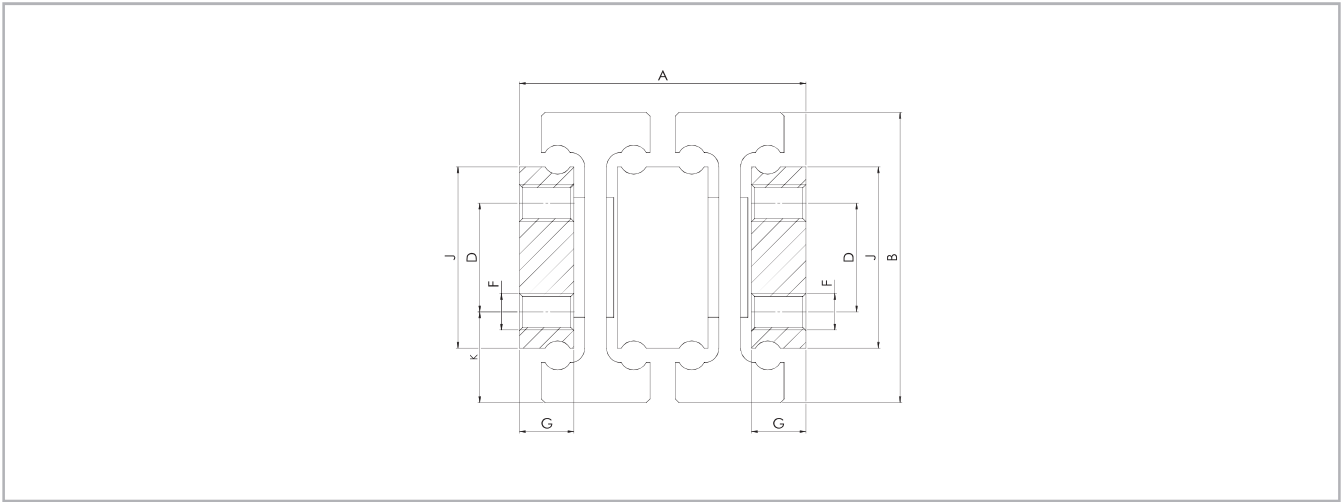
Fig. 40

Type	Size	Length	Stroke	Load capacity per pair C_{grad} [N]	Y	m	n	E	C	Number of holes
		L [mm]	H [mm]							
H2H	80	500	1000	on request	100	100	-	-	100	8
		550	1100						150	
		600	1200						200	
		650	1300						250	
		700	1400						300	
		750	1500						350	
		800	1600				150	100	-	12
		850	1700				175			
		900	1800				200			
		950	1900				225			
		1000	2000				250			
		1100	2200				300			
		1200	2400				350			
		1300	2600				400			
		1400	2800				450			
		1500	3000				500			

The load capacity for aluminum is 40% and for stainless steel 60% of the stated values, if available in this material variant (see Technical features overview).

Tab. 17

> H2H080



All dimensions are indicated in mm

Fig. 41

Type	Size	A	B	J	G	K	D	F	Weight per single guide [kg/m]
H2H	80	79+1	80	50	15	25	30	M10	34.80

Tab. 18