



# H3 Swinghandle

Medium / large · Sealed / non-sealed

- Zinc alloy swinghandle system
- Multiple locking options; including DIN profile
- Indoor/outdoor version
- Available for medium (125mm x 25mm) and large (150mm x 25mm) door cutout

## Material and Finish

Handle: Zinc alloy, black powder coated or satin chrome plated  
Cam: Steel, zinc plated

## Performance Details

Max. static load: 250 N (56 lbf)

## Sealing Notes

Sealed version meets NEMA4 / IP66 water intrusion standards

## Keys

See page 98

## Multi-Point Systems

See pages 260 - 265

## Notes

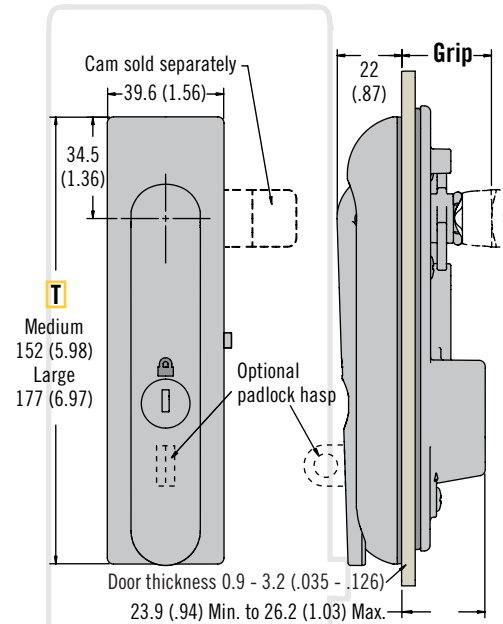
\*For dimension details of DIN lock version, please contact Southco

Product available to meet Telcordia GR-487 contact Southco for details

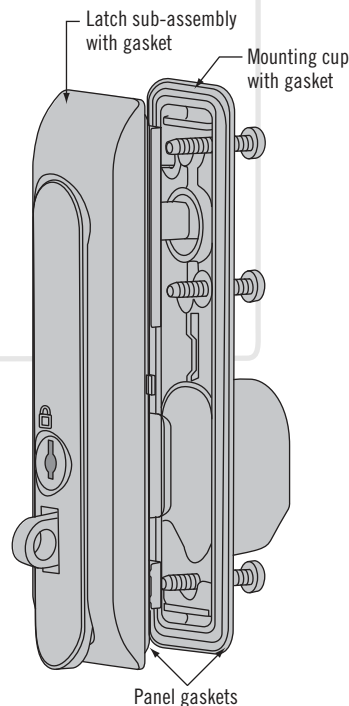
Electromechanical swinghandle available see pages 30 - 31

## Sealed (H3-50 medium shown)

(H3-60 large available part number selection)

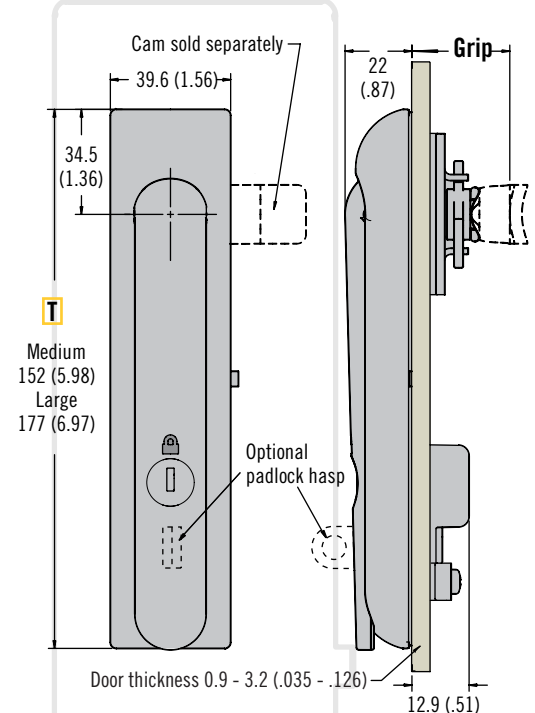


ACTUAL SIZE  
H3-50 MEDIUM

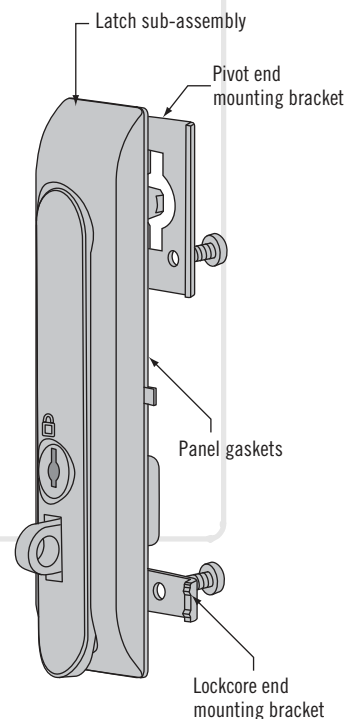


## Non-Sealed (H3-60 large shown)

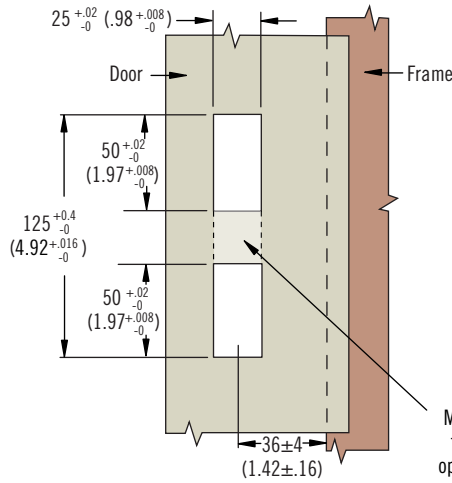
(H3-50 medium available part number selection)



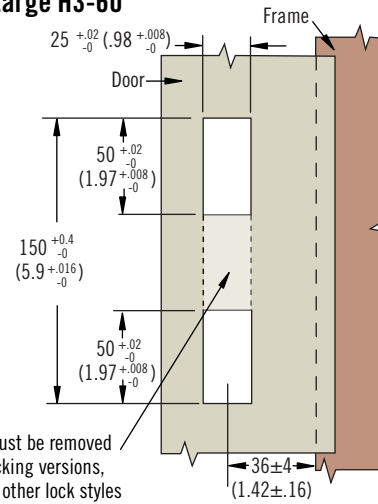
ACTUAL SIZE  
H30-60 LARGE



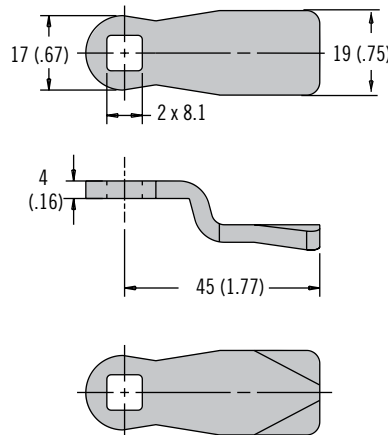
**Medium H3-50**



**Large H3-60**



Cam Part Number Table For Use As Single Point Or With Actuator Plate (order separately from latch)			
Grip	Part Number	Grip	Part Number
10.3 (.41)	E5-6107	26.3 (1.04)	E5-6115
12.3 (.48)	E5-6108	28.3 (1.11)	E5-6116
14.3 (.56)	E5-6109	30.3 (1.19)	E5-6117
16.3 (.64)	E5-6110	32.3 (1.27)	E5-6118
18.3 (.72)	E5-6111	34.3 (1.35)	E5-6119
20.3 (.80)	E5-6112	36.3 (1.43)	E5-6120
22.3 (.88)	E5-6113	38.3 (1.51)	E5-6121
24.3 (.96)	E5-6114	40.3 (1.59)	E5-6122



**Latch Part Number (no cam)**

**T Size**

- 50 Medium - 152 (5.98) height
- 60 Large - 177 (6.97) height

**A Actuator style**

- 3 No padlock hasp for use as single point or with actuator plate (see page 263)
- 4 With padlock hasp for use as single point or with actuator plate (see page 263)

For linear actuator version (see pages 260 - 261)

**S Sealing option**

- 0 Non-sealed
- 1 Sealed

**F Finish**

- 44 Satin chrome
- 50 Black powder coated

**L Lock style**

- 00 Locking DIN profile (no lock supplied)
- 01 Locking keyed alike CH751\*
- 02 Locking keyed alike 300\*
- 03 Locking keyed alike 333\*
- 20 Non-locking with detent
- 21 Locking DIN profile keyed alike CH751\*
- 22 Locking DIN profile keyed alike 300\*
- 23 Locking DIN profile keyed alike 333\*
- 40 3 mm Double-bit
- 41 5 mm Double-bit
- 42 Bellcore 216
- 43 Bellcore Hex-Pin Recess
- 47 8 mm triangle
- 70 DIN profile 3 mm Double-bit
- 71 DIN profile 5 mm Double-bit
- 72 DIN profile Bellcore 216
- 73 DIN Profile Bellcore Hex-Pin Recess
- 77 DIN profile 8 mm triangle



**Part Number Selection**

For single point:

Order latch and cam separately

For multi-point:

- Order latch and cam separately
- Order multi-point system accessories (linear actuator or actuator plate, rod, rod guide) if 3 point latching required see pages 260 - 265

For linear actuator version

see pages 260 - 262

**Note**

Actuator style **A** options 1 and 2 see pages 260 -262

\*2 Overmolded keys supplied



# H3 Swinghandle System

Plastic · Large · Non-sealed

- **Lightweight Glass filled nylon swinghandle system UL94-V0 rated**
- **DIN profile locking options**
- **Push or turn to close versions available**

## Material and Finish

Handle: Glass filled nylon  
Cam: Steel, zinc plated

## Performance Details

Max. static load: 250 N (56 lbf)

## Keys

Handbook Page 98

Visit [www.southco.com](http://www.southco.com)

## Notes

Electromechanical swinghandle available see pages 30 - 31 of the Southco handbook or visit [www.southco.com](http://www.southco.com)

For metal version visit pages 260-262 of the Southco handbook or visit [www.southco.com](http://www.southco.com)

## Part Number Selection

For single point:

Order latch and cam separately

For multi-point order:

Latch and cam

Linear actuator and rod adaptors

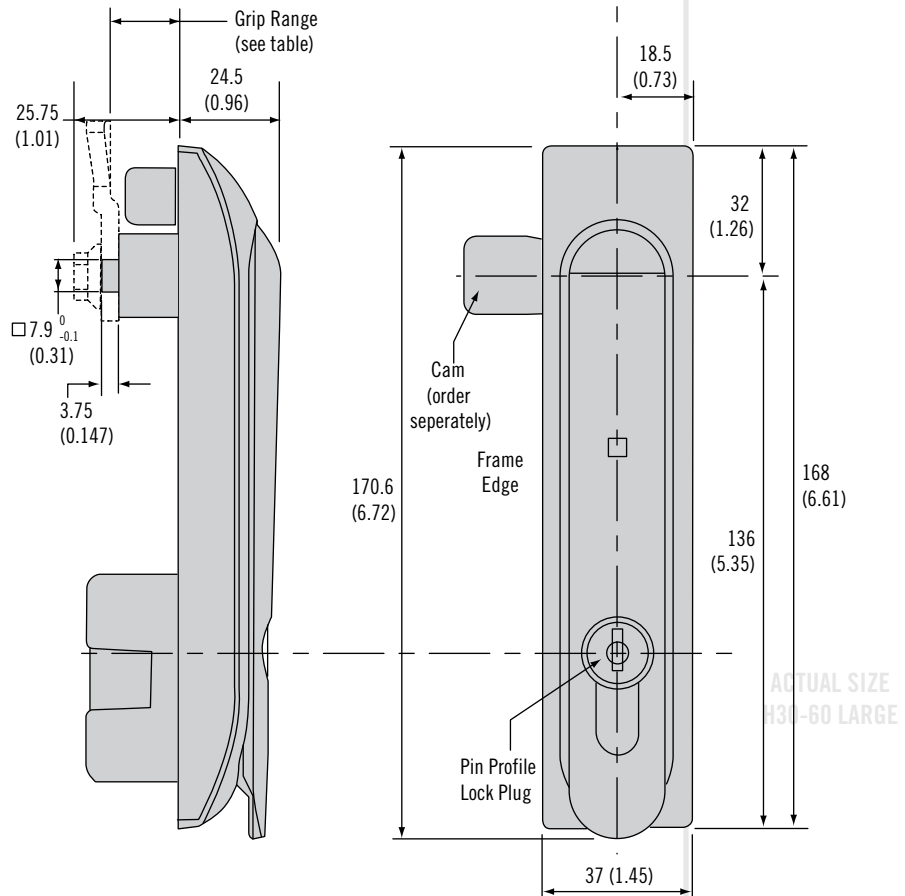
Rods

Rod guides

## Note

\*2 keys supplied

## H3 Plastic Swinghandle



## Latch Part Number (no cam)

### T Style

- 65 Push to close handle
- 66 Turn to close handle

### L Lock style

- 21 Locking DIN profile keyed alike CH751\*
- 22 Locking DIN profile keyed alike 300\*
- 23 Locking DIN profile keyed alike 333\*
- 70 DIN profile 3 mm Double-bit
- 71 DIN profile 5 mm Double-bit
- 72 DIN profile Bellcore 216
- 73 DIN Profile Bellcore Hex-Pin Recess
- 77 DIN profile 8 mm triangle

**H3 - T - 5 L - 0 7 1**

## Cam Part Number Table

GRIP	PART NO. (LENGTH = 38mm)	PART NO. (LENGTH = 45mm)
15.5	E5-6710	E5-6110
17.5	E5-6711	E5-6111
19.5	E5-6712	E5-6112
21.5	E5-6713	E5-6113
23.5	E5-6714	E5-6114
OTHER	Please contact Southco	

Dimensions in millimeters (inch) unless otherwise stated



[www.southco.com/H3](http://www.southco.com/H3)

**southco**  
CONNECT · CREATE · INNOVATE

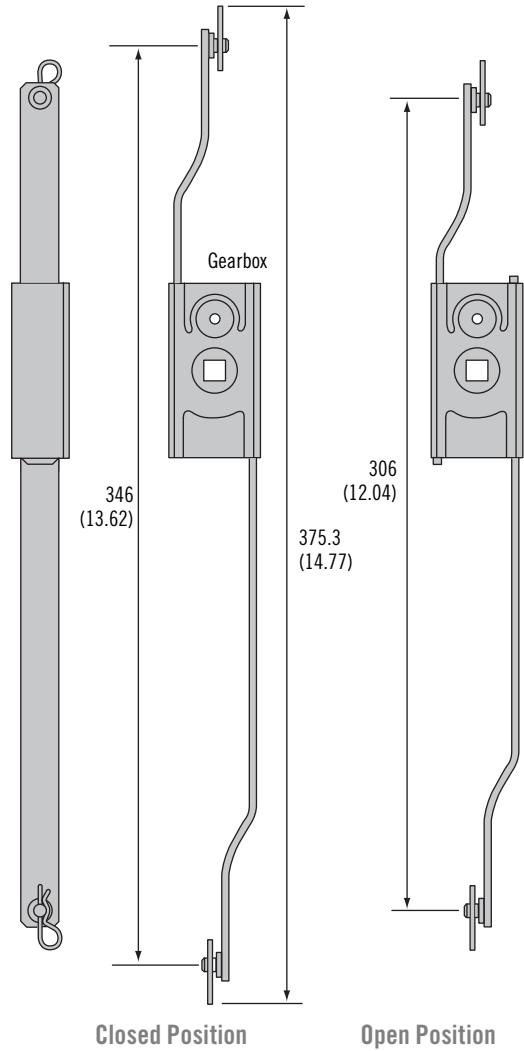
# H3 Linear Actuators

Linear actuators and rod adaptor for plastic H3 swinghandle system

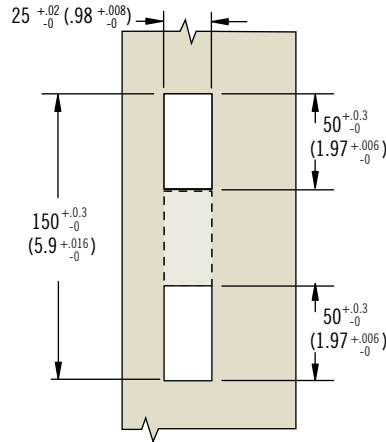


## Linear Actuator

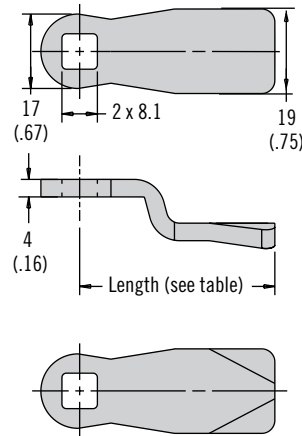
(Right Hand Mounting shown)



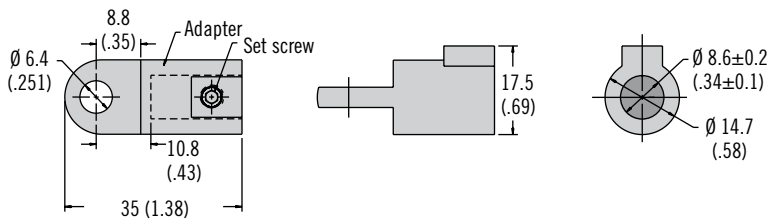
## Panel Preparation



## Cam



## Rod Adaptor



- Linear actuator for Plastic H3 swinghandles
- Linear rod travel for limited space
- Suitable for left and right hand applications
- Left and Right hand Actuators can be disassembled and reassembled in the opposite hand if required

## Material and Finish

Zinc alloy and steel, zinc plated

## To Select Linear actuator and Rod Adaptor:

For use with H3-65 and H3-66 swinghandles. Order linear actuator and rod adaptors separately (1 actuator and 2 adaptors required per latch)

## Accessories

Replacement rod adaptor retainer pin part number: H3-0-44778-01

## Part Number

Linear actuator and rod adaptors see table

For multi-point order: Latch Cam (if 3 point latching required) Linear actuator and rod adaptor (see table)

Rods, Rod guides visit [www.southco.com/H3](http://www.southco.com/H3)

Part Number	
Linear actuator right hand mounting	H3-61-56-33
Linear actuator left hand mounting	H3-61-55-33
Rod adaptor	A5-92-201-31

Dimensions in millimeters (inch) unless otherwise stated



Global Corporate Headquarters and Americas Customer Service & Technical Support Center  
Concordville, PA – USA · Tel: (1) 610-459-4000 · Fax: (1) 610-459-4012

Other options available. For complete details on variety, part numbers, installation and specification, go to



[www.southco.com/H3](http://www.southco.com/H3)

© Southco H3 696NA 11-10