

LIFT-OFF TORQUE HINGE



HG-KNT3L

■ Features

- Can be used horizontally and vertically.
- Stop at any desirable position.
- Passed 30,000 times open/close cycle test.

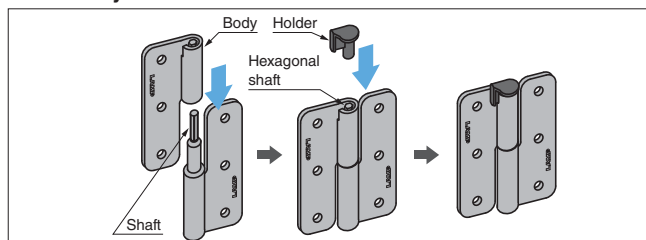
■ Application

- Suitable for wide range of equipment (OA, FA, physical and chemical, automatic equipment).

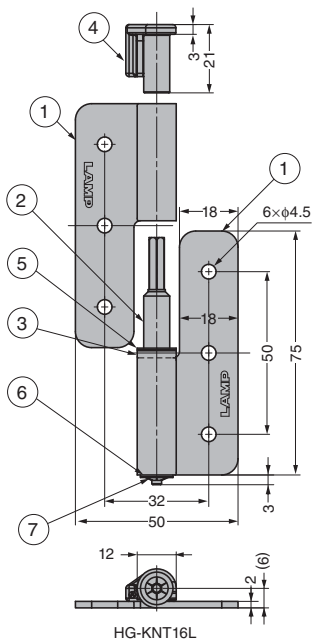
■ Remarks

- Please insert the holder to the end after installing the door.
- When you install two hinges horizontally, please make sure holders on each hinge face different directions to prevent door from unexpected falling off even when holders are taken off.

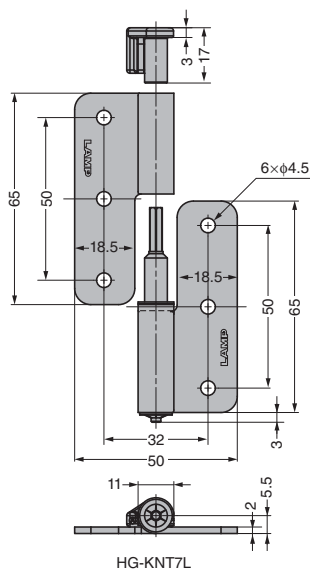
■ Assembly



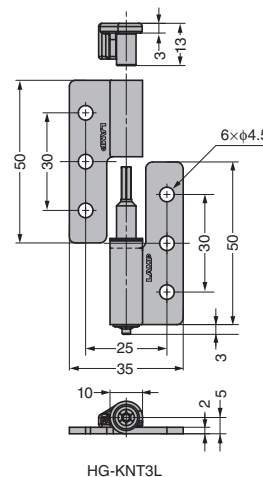
Insert the body into the hexagonal shaft and push the holder in the end to create the torque.



HG-KNT16L



HG-KNT7L



HG-KNT3L

Left hand shown.

No.	Part Name	Material	Finish / Colour
①	Body	Stainless Steel (SUS304)	Barrel Polished
②	Shaft		—
③	Plug	Polyacetal (POM)	Black
④	Holder	Polyamide (PA)	
⑤	Washer 1	Polytetrafluoroethylene (PTFE)	Natural
⑥	Washer 2	Polyacetal (POM)	
⑦	Nut	Stainless Steel	—

RoHS	CAD	Item Code	Item Name	Type	Torque N · m / pc	Torque kgf · cm / pc	Weight g	Box pcs	Carton pcs
—	3D	170-035-380	HG-KNT3L	Left	0.3 ± 0.2	3.1 ± 2.0	42	50	200
—	3D	170-035-381	HG-KNT3R	Right				50	200
—	3D	170-035-382	HG-KNT7L	Left	0.7 ± 0.25	7.1 ± 2.6	76	50	200
—	3D	170-035-383	HG-KNT7R	Right				50	200
—	3D	170-035-384	HG-KNT16L	Left	1.6 ± 0.3	16.3 ± 3.1	96	30	120
—	3D	170-035-385	HG-KNT16R	Right				30	120