

PIVOT HINGE HG-PV-30C



- Small detachable pivot hinge.
- Door is easily detached only by using the lever.

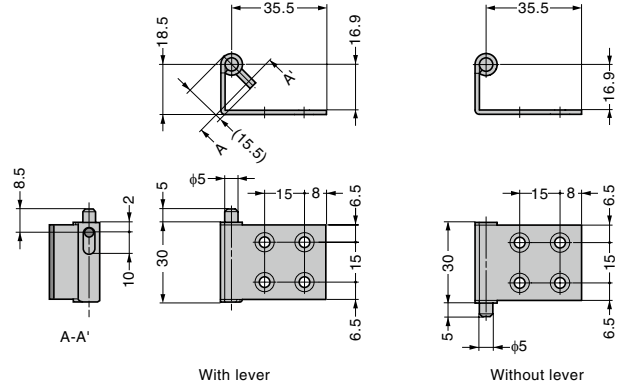
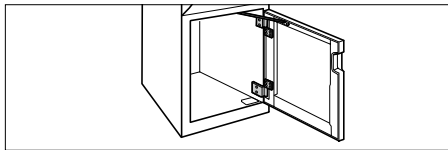
[Applications]

- Light doors of financial equipment, etc.

[Remarks]

- Sold in pairs (upper and lower).

[Application Example]



For right-hanging, the hinge with lever is at the upper side, while that without lever at the lower side.

For left-hanging, the hinge with lever is at the lower side, while that without lever at the upper side.

RoHS	CAD	Item Code	Item Name	Material	Finish	Weight (g)	Box (pcs)	Carton (pcs)
		170-098-215	HG-PV-30C	Stainless Steel (SUS304)	Barrel Polished	54	100	200

TORQUE HINGES

DAMPER HINGES

LIFT ASSIST HINGES

DETENT HINGES

CONCEALED HINGES

BUTT HINGES

PIANO HINGES

STEP HINGES

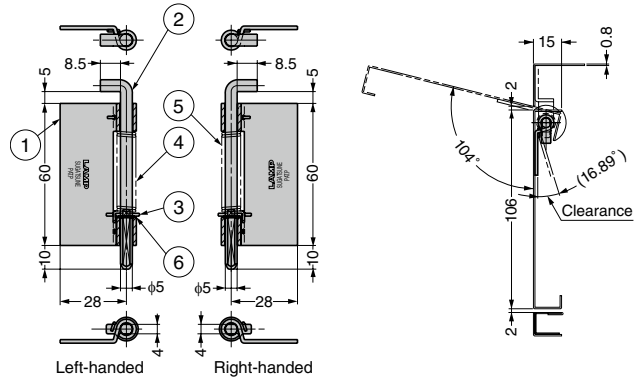
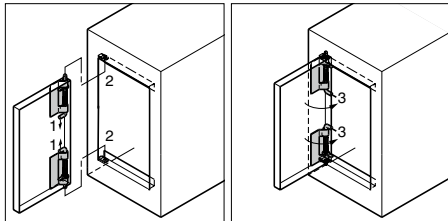
LIFT-OFF HINGES

SPRING LOADED PIVOT HINGE HG-PV60AC



- Spring loaded for self closing.
- Easy door installation and removal.
- Compact self-closing mechanism saves space.

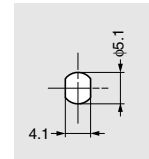
[Installation]



1. Pull up the hook of the lower hinge.
2. Insert the body into the rotation stop hole.
3. Hold the door to prevent rotation while rotating the hook, insert it to bottom along the hole.
4. Install the upper hinge in the same manner.
5. Open and close the door to check the movement.

No.	Part Name	Material	Finish
①	Body	Stainless Steel (SUS304)	Barrel Polished
②	Shaft		-
③	Stopper		Barrel Polished
④	Spring L	Stainless Steel (SUS-304WPB)	-
⑤	Spring R		
⑥	E-type Retaining Ring (Size 3)	Stainless Steel (SUS304)	

[Cut Out Dimensions]



SPRING HINGES

CLEAN ROOM HINGES

HINGES FOR ALUMINIUM FRAME

DROP HINGES

GLASS DOOR HINGES

SPECIAL HINGES

RoHS	CAD	Item Code	Item Name	Type	Door Weight kg/2 pcs	Weight (g)	Box (pcs)	Carton (pcs)
		170-090-988	HG-PV60AC-L	Left-handed	2	38	50	200
		170-090-987	HG-PV60AC-R	Right-handed			50	200

