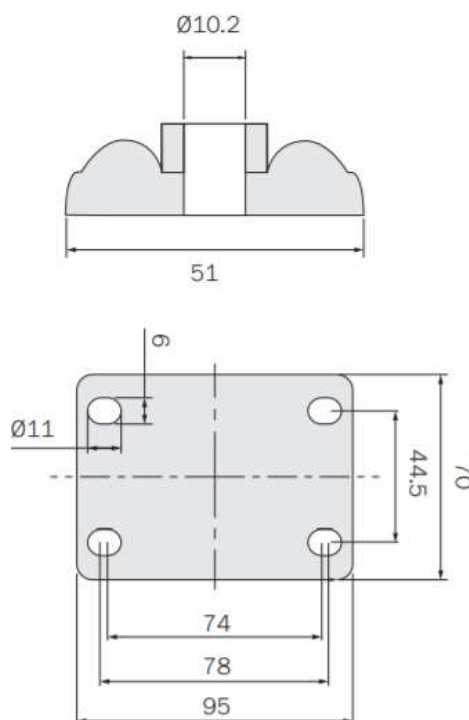




## K Series Castor Wheels

Small light duty but sturdy castors  
 Up 80kg load per castor  
 Double ball race  
 Strong pressed steel construction  
 Zinc plate finish  
 Nylon or TPE wheels available  
 Plate, bolt hole or expanding adaptor fitting options  
 Common Uses: Light furniture, Cabinets,  
 Garment racks, Display units, Catering racks



RIGID (PLATE)



SWIVEL (PLATE)



TOTAL LOCKING (PLATE)



SWIVEL (BOLT HOLE)



TOTAL LOCKING (BOLT HOLE)



### NNP






- » Solid virgin nylon 6 tread and centre
- » Plain bore
- » **NOTE:** 100mm wheel is black
- » Bickler code **P076/8G, P0A102/8G**



### TPB

- » Thermoplastic elastomer tread
- » Polypropylene centre
- » Precision bearings
- » Thread guards standard

## MOUNTING TYPE

WHEEL DIAMETER (mm)	MOUNTING TYPE	FRAME CODE	WHEEL ABR	MAX LOAD (KG)	WHEEL ABR	MAX LOAD (KG)	OVERALL HEIGHT (mm)	SWIVEL RADIUS (mm)
75 100		KZR07525 KZR10025	-NNP -NNP	70 80	-TPB -TPB	50 60	102 127	- -
75 100		KZS07525 KZS10025	-NNP -NNP	70 80	-TPB -TPB	50 60	102 127	68 83
75 100		KZST07525 KZST10025	-NNP -NNP	70 80	-TPB -TPB	50 60	102 127	88 88
75 100		KZH07525 KZH10025	-NNP -NNP	70 80	-TPB -TPB	50 60	99 125	68 83
75 100		KZHT07525 KZHT10025	-NNP -NNP	70 80	-TPB -TPB	50 60	99 125	88 88

## WHEELS

WHEEL DIAMETER (mm)	TREAD WIDTH (mm)	WHEEL CODE	MAX LOAD (KG)	BORE DIAMETER (no spacer mm)	BORE DIAMETER (spacer mm)	HUB LENGTH (mm)	TREAD MATERIAL	CENTRE MATERIAL	BEARING TYPE	AXLE SPACER TYPE
75 100	25	TP07525B TP10025B	50 60	8	-	30	THERMOPLASTIC ELASTOMER	POLYPROPYLENE	PRECISION BEARINGS	-
75 100	25	<b>P076/8G*</b> <b>P0A102/8G*</b>	70 80	8	-	30	WHITE NYLON BLACK NYLON	WHITE NYLON BLACK NYLON	PLAIN BORE	-