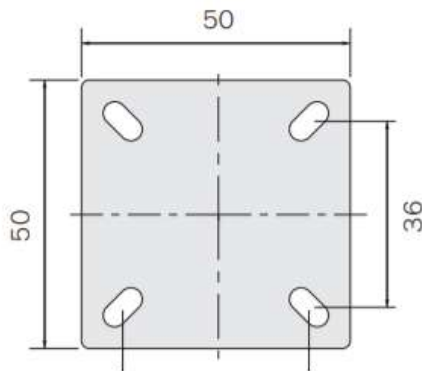
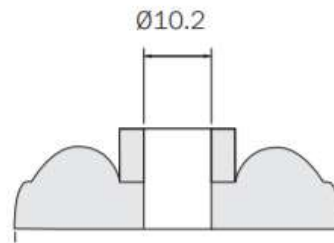


## L Series Castor Wheels - Single

Double ball race  
 Strong pressed steel construction  
 Zinc plate finish  
 Nylon or TPE wheels (available separately)  
 Plate & bolt hole mounting  
 M10 thread stem available (indent)  
 With or without wheel lock  
 Max. Load rating 60KG



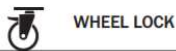
SWIVEL



RIGID (PLATE)



SWIVEL



WHEEL LOCK



SWIVEL (BOLT HOLE)



WHEEL LOCK (BOLT HOLE)



**NNP**

- » Solid virgin nylon 6 tread and centre
- » Plain bore



**TPP**

- » Thermoplastic Elastomer tyre
- » Polypropylene centre.
- » Plain bore



## MOUNTING TYPE

WHEEL DIAMETER (mm)	MOUNTING TYPE	FRAME CODE	WHEEL ABR	MAX LOAD (KG)	WHEEL ABR	MAX LOAD (KG)	OVERALL HEIGHT (mm)	SWIVEL RADIUS (mm)
50		LZR05020	-NNP	60	-TPP	40	72	-
30 50		LZS05020	-NNP	60	-TPP	40	72	50
50		LZSW05020	-NNP	60	-TPP	40	72	69
50		LZH05020	-NNP	60	-TPP	40	70	50
50		LZHW05020	-NNP	60	-TPP	40	70	69

## WHEELS

WHEEL DIAMETER (mm)	TREAD WIDTH (mm)	WHEEL CODE	MAX LOAD (KG)	BORE DIAMETER (no spacer mm)	BORE DIAMETER (spacer mm)	HUB LENGTH (mm)	TREAD MATERIAL	CENTRE MATERIAL	BEARING TYPE
50	18	NN05020P	60	6	-	23	NYLON	NYLON	PLAIN BORE
50	20	NN05020P(F)	60	6	-	23	NYLON	NYLON	PLAIN BORE
50	20	NN05020P10	60	10	-	23	NYLON	NYLON	PLAIN BORE
50	19	TP05020P	40	6	-	23	THERMOPLASTIC ELASTOMER	POLYPROPYLENE	PLAIN BORE