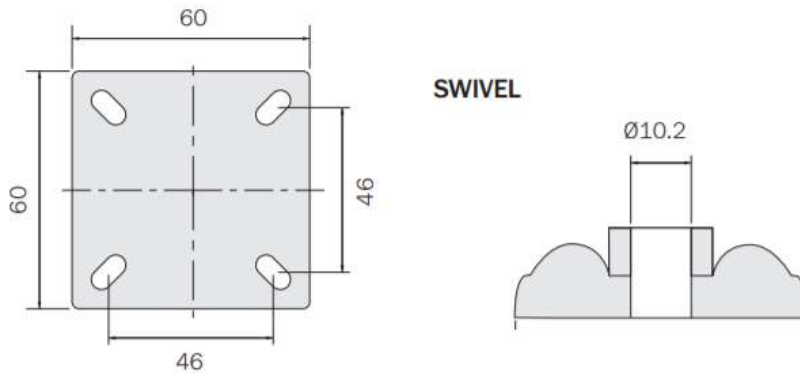




L Series Castor Wheels - Twin

- Double ball race
- Strong pressed steel construction
- Zinc plate finish
- Nylon or PPP wheels (available separately)
- Plate & bolt hole mounting
- M10 thread stem available (indent)
- With or without wheel lock
- Max. Load rating 70KG



BOLT HOLE+BRAKE



SWIVEL(PLATE)



TOTAL LOCK



SWIVEL (BOLT HOLE)



TPP





- » Thermoplastic Elastomer tyre
- » Polypropylene centre.
- » Plain bore



PPP

- » Solid polypropylene
- » Plain bore
- » Sold assembled only

MOUNTING TYPE

WHEEL DIAMETER (mm)	MOUNTING TYPE	FRAME CODE	WHEEL ABR	MAX LOAD (KG)	WHEEL ABR	MAX LOAD (KG)	OVERALL HEIGHT (mm)	SWIVEL RADIUS (mm)
50		LZST05020	-2TPP	70	-2PPP(F)	70	72	72
50		LZS05020	-2TPP	70	-2PPP(F)	70	72	52
50		LZH05020	-2TPP	70	-2PPP(F)	70	72	52
50		LZHT05020	-2TPP	70	-2PPP(F)	70	72	72

WHEELS

WHEEL DIAMETER (mm)	TREAD WIDTH (mm)	WHEEL CODE	MAX LOAD (KG)	BORE DIAMETER (no spacer mm)	BORE DIAMETER (spacer mm)	HUB LENGTH (mm)	TREAD MATERIAL	CENTRE MATERIAL	BEARING TYPE	AXLE SPACER TYPE
50	19	TP05020P	40	6	-	23	THERMOPLASTIC ELASTOMER	POLYPROPYLENE	PLAIN BORE	-