

LATCH HOOK

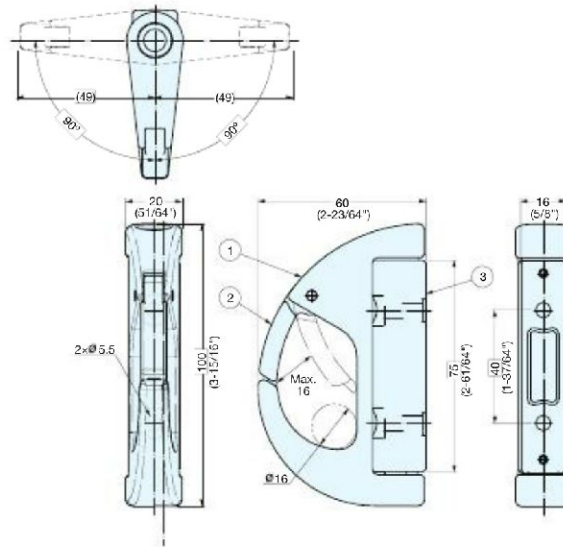
LOAD CAPACITY
80 kg
132 lbs

5x30
STAINLESS

STAINLESS 316 STEEL

EN-R100F

- Keeps items hooked, ideal for vibration or shock applications.
- Swivels 180 degrees.



Item No.	Load Capacity (kg)		Weight (g)	Box (pcs)	Carton (pcs)
	Hook	Arm			
EN-R100F	60 (132 lbs)	10 (22 lbs)	350	10	120

Material	Finish
316 Stainless Steel	Polished

LATCH HOOK

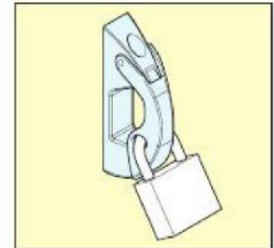
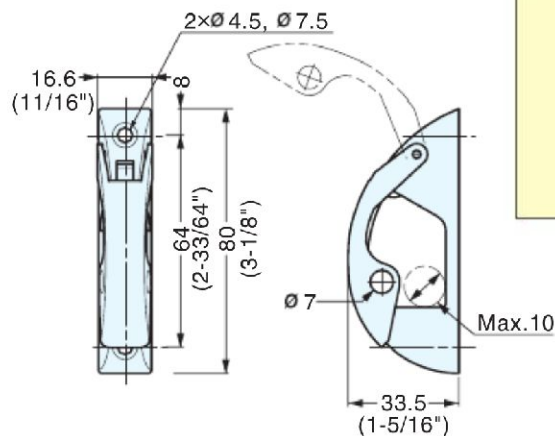
LOAD CAPACITY
20 kg
44 lbs

4x25
STAINLESS

STAINLESS 316 STEEL

EN-R80-K

- 9/32" (7 mm) diameter eyelet for pad lock (lock not included).
- Slim design allows mounting in narrow spaces.
- Stainless steel construction for high corrosion resistance.
- Includes 1" (M4 x 25 mm) long self-tapping screws.



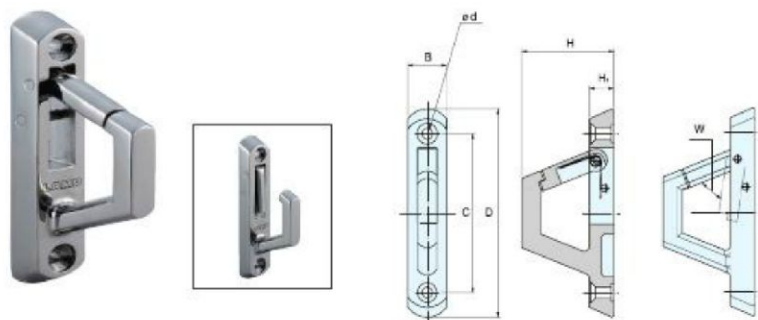
Item No.	Max. Opening	Load Capacity (kg)		Weight (g)	Box (pcs)	Carton (pcs)
		Hook	Arm			
EN-R80-K	10 mm (3/8")	22 (44 lbs)	10 (22 lbs)	120	10	120

Material	Finish
316 Stainless Steel	Polished

LATCH HOOK



EN-K



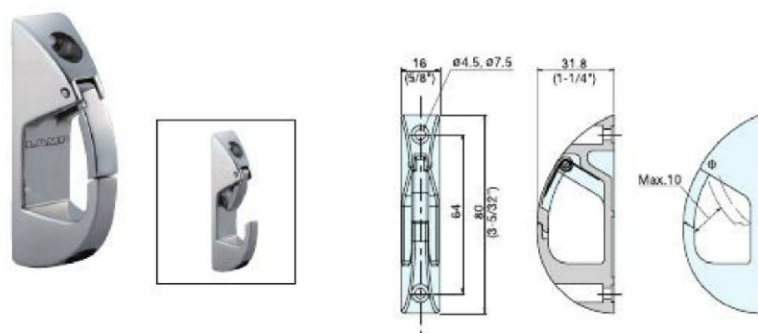
• Keeps items hooked, ideal for vibration or shock applications.

Item No.	D	C	B	H	H ₁	d	W	Load Capacity (kg)		Weight (g)	Box (pcs)	Carton (pcs)	Material	Finish
								Hook	Arm				316 Stainless Steel	Polished
EN-K 84	84 (3-5/16")	64	16 (5/8")	38 (1-1/2")	10 (25/64")	4.5, 8.5	Max.10	20 (44 lbs)	10 (22 lbs)	92	10	120	316 Stainless Steel	Polished
EN-K120	120 (4-23/32")	96	22 (7/8")	54 (2-1/8")	12 (15/32")	5.4, 10.5	Max.20	60 (132 lbs)		280		60		

LATCH HOOK



EN-R80



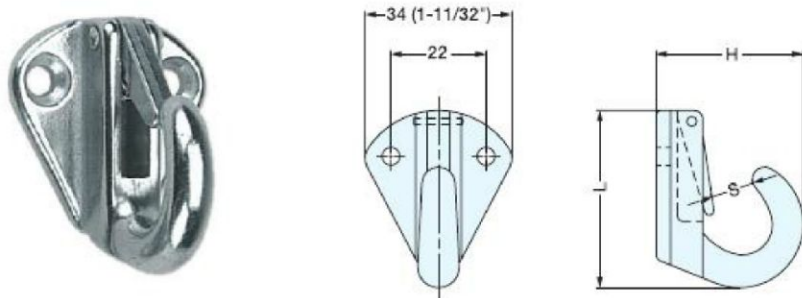
• Keeps items hooked, ideal for vibration or shock applications.

Item No.	Load Capacity (kg)		Weight (g)	Box (pcs)	Carton (pcs)	Material	Finish
	Hook	Arm				316 Stainless Steel	Polished
EN-R80	20 (44 lbs)	10 (22 lbs)	85	10	120	316 Stainless Steel	Polished

LATCH HOOK



WH



• Keep items hooked, ideal for vibration or shock applications.

Item No.	L	H	S	Load Capacity (kg)	Weight (g)	Box (pcs)	Carton (pcs)	Material	Finish
WH-1	38 (1-1/2")	25 (63/64")	7	15 (33 lbs)	40	20	200	304 Stainless Steel	Plain
WH-2	41 (1-39/64")	34 (1-11/32")	10		55				