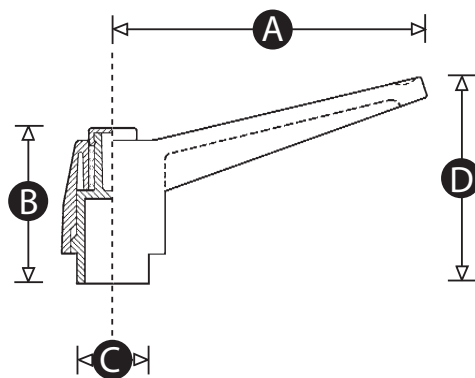


Model 01 CH - Clamping Handle Female

Below you will find the standard version of this product which is suitable for most applications. However all our products can easily be produced in different moulding materials (including ABS, polypropylene or different levels of glass filled nylon), with different insert materials (such as stainless steel, brass, alloy or various zinc plating) and with non-standard thread lengths and/or sizes. The MOQ for most modifications is only 300 pieces so please feel free to contact our Sales Team, who will be happy to advise and quote for exactly the product you need.



Cap colours:



PATTERN	PART NO. Black/ Red	PART NO. Orange/ Grey	PART NO. Black/ Black	A	B	C	D	THREAD SIZE	WEIGHT (g)	Material:	High impact resistant thermoplastic - matt finish
2843	11424Y	11451P	11545Y	43	26	12	32	M5	4.2	Insert material:	Brass
2843	11425U	11452W	11546U	43	26	12	32	M6	4.6	Standard Colour:	Black handle + red cap / Orange handle + grey cap / Black handle + black cap
2865	11426Q	11453S	11547Q	65	37	15	46	M6	9.8	Colour Options:	A wide range of RAL colours can be produced - MOQs apply
2865	11427X	11454Z	11548X	65	37	15	46	M8	12.4	Note:	This product consists of 2 parts: the handle and a cap - different colour combinations are possible - there is no added charge for different coloured caps
2883	11428T	11455V	11549T	83	46	19	57	M8	22.3		
2883	11429P	11456R	11550P	83	46	19	57	M10	23.7		
28104	11430W	11457Y	11551W	104	51	24	68	M10	30.0		
28104	11431S	11458U	11552S	104	51	24	68	M12	34.9		
28104	11432Z	11459Q	11553Z	104	51	24	68	M16	35.6		

All dimensions are in mm (unless otherwise stated) and are approximate. All weights are in grams and are approximate.



RencolComponents Ltd.

Unit 2, Avonbridge Estate - Atlantic Road - Avonmouth - Bristol BS11 9QD - UK - Tel: +44 117 916 0090 - Fax +44 117 982 2235

www.rencol.com