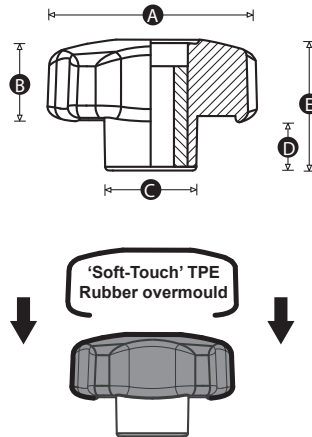
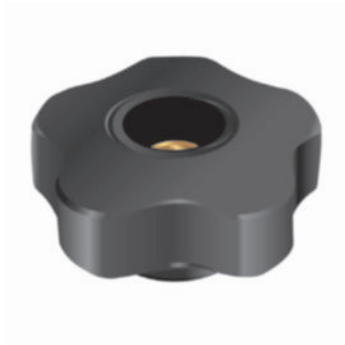


Model 01 PK - 'Soft touch' Lobe Knob TRT (open)

Below you will find the standard version of this product which is suitable for most applications. However all our products can easily be produced in different moulding materials (including ABS, polypropylene or different levels of glass filled nylon), with different insert materials (such as stainless steel, brass, alloy or various zinc plating) and with non-standard thread lengths and/or sizes. The MOQ for most modifications is only 300 pieces so please feel free to contact our Sales Team, who will be happy to advise and quote for exactly the product you need.



Pattern	Part NO	A	B	C	D	E	Thread Size
3028/T	10779T	28	16	12	10	26	M5
3028/T	10781W	28	16	12	10	26	M6
3040/T	10788Q	40	17	18	12	29	M6
3040/T	10791P	40	17	18	12	29	M8
3050/T	10800X	50	19	21	12	31	M6
3050/T	10802P	50	19	21	12	31	M8
3050/T	11613Q	50	19	21	12	31	M10
3060/T	10811X	60	21	23	13	34	M8
3060/T	10813P	60	21	23	13	34	M10
3060/T	11180V	60	21	23	13	34	M12

Material: Two-part mouldings - Inner moulding Polypropylene -
Over moulded with 'Soft Touch' TPE
Standard Colour: Black
Female Insert Material: Brass

All dimensions are in mm (unless otherwise stated) and are approximate. All weights are in grams and are approximate.



RencolComponents Ltd.

Unit 2, Avonbridge Estate - Atlantic Road - Avonmouth - Bristol BS11 9QD - UK - Tel: +44 117 916 0090 - Fax +44 117 982 2235

www.rencol.com