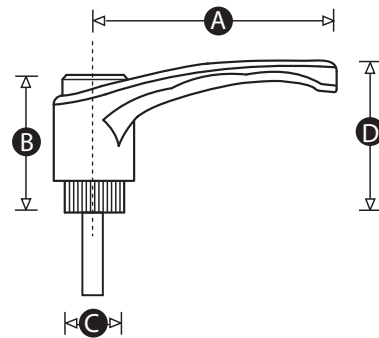


## Model 02 CH - Clamping Handle Male

Below you will find the standard version of this product which is suitable for most applications. However all our products can easily be produced in different moulding materials (including ABS, polypropylene or different levels of glass filled nylon), with different insert materials (such as stainless steel, brass, alloy or various zinc plating) and with non-standard thread lengths and/or sizes. The MOQ for most modifications is only 300 pieces so please feel free to contact our Sales Team, who will be happy to advise and quote for exactly the product you need.



Cap colours:



PATTERN	PART NO. Black/ Red	PART NO. Orange/ Grey	PART NO. Black/ Black	A	B	C	D	THREAD SIZE	THREAD LENGTH	WEIGHT (g)
3843/M	11487Z	11514Q	11580Q	43	29	12	30	M5	15	17.6
3843/M	11488V	11515X	11581X	43	29	12	30	M5	20	19.0
3843/M	11489R	11516T	11582T	43	29	12	30	M5	25	22.0
3843/M	11490Y	11517P	11583P	43	29	12	30	M6	15	19.0
3843/M	11491U	11518W	11584W	43	29	12	30	M6	20	22.0
3843/M	11492Q	11519S	11585S	43	29	12	30	M6	25	25.0
3865/M	11493X	11520Z	11586Z	65	38	15	44	M8	20	41.0
3865/M	11412R	11521V	11587V	65	38	15	44	M8	30	46.4
3865/M	11495P	11522R	11588R	65	38	15	44	M8	40	49.0
3865/M	11496W	11523Y	11589Y	65	38	15	44	M8	50	54.0
3883/M	11497S	11524U	11590U	83	47	19	54	M10	30	70.0
3883/M	11498Z	11525Q	11591Q	83	47	19	54	M10	40	75.0
3883/M	11413Y	11526X	11592X	83	47	19	54	M10	50	80.0
38104/M	11500R	11527T	11593T	104	56	24	64	M12	30	113.0
38104/M	11501Y	11528P	11594P	104	56	24	64	M12	35	116.0
38104/M	11502U	11529W	11595W	104	56	24	64	M12	50	121.0
38104/M	11503Q	11530S	11596S	104	56	24	64	M16	35	123.0
38104/M	11504X	11531Z	11597Z	104	56	24	64	M16	50	140.0

**Material:** High impact resistant thermoplastic - matt finish  
**Thread material:** Zinc plated steel  
**Standard Colour:** Black handle + red cap / Orange handle + grey cap / Black handle + black cap  
**Colour Options:** A wide range of RAL colours can be produced - MOQs apply

**Note:** This product consists of 2 parts: the handle and a cap - different colour combinations are possible - there is no added charge for different coloured caps

All dimensions are in mm (unless otherwise stated) and are approximate. All weights are in grams and are approximate.



**RencolComponents** Ltd.

Unit 2, Avonbridge Estate - Atlantic Road - Avonmouth - Bristol BS11 9QD - UK - Tel: +44 117 916 0090 - Fax +44 117 982 2235

[www.rencol.com](http://www.rencol.com)