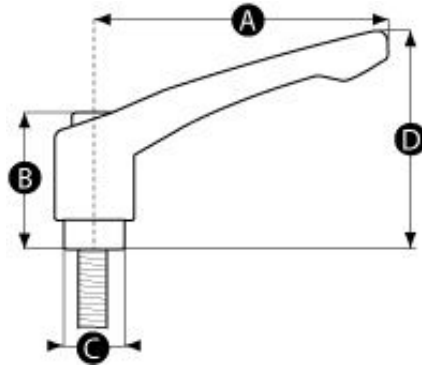


# Model 03 CH - Clamping Handle Male:



## Actions / Downloads:

- [Print](#)

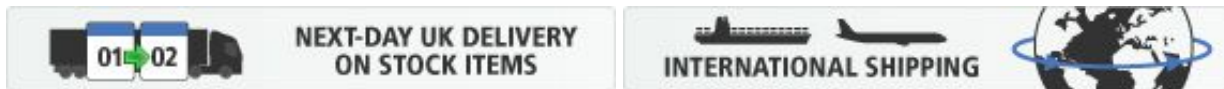


**Handle Material:** Reinforced nylon (15% glass filled PA6)

**Insert Material:** Chemically blackened steel boss and ratchet with allen key fixing screw. Stainless steel boss on request (MOQs apply).

**Male Thread:** Steel as standard. Stainless steel on request (MOQs apply).

**Handle Colours:** Black or orange as standard. Other RAL colours on request (MOQs apply).



Please refer to the table below for types and sizes of this product. Once you have found the exact component you require, select the **'Quote'** button. In the fields provided, enter the quantity you require and add any special options or non-standard colours / threads.

**We will reply by email within one working day with a price and delivery schedule.**

PATTERN	PART NO.	A	B	C	D	Thread size	Thread length (mm)	Insert material	Handle / Cap Colour	Stocked Item	MOQ	QUOTE REQUEST
5842/M	12654V	42	25	10	38	M6	16	Steel	Black	Yes	2	Quote
5842/M	11558Q	42	25	10	38	M6	20	Steel	Black	Yes	2	Quote
5842/M	11558Q	42	25	10	38	M6	20	Steel	Black	Yes	2	Quote
5842/M	12655R	42	25	10	38	M6	32	Steel	Black	Yes	2	Quote
5865/M	12656Y	65	31	14	50	M8	16	Steel	Black	Yes	2	Quote
5865/M	11560T	65	31	14	50	M8	20	Steel	Black	Yes	2	Quote
5865/M	11560T	65	31	14	50	M8	20	Steel	Black	Yes	2	Quote
5865/M	12649T	65	31	14	50	M8	25	Steel	Black	Yes	2	Quote

5865/M	12657U	65 31 14 50 M8	32	Steel	Black	Yes	2	
5865/M	11562W	65 31 14 50 M8	40	Steel	Black	Yes	2	
5865/M	11562W	65 31 14 50 M8	40	Steel	Black	Yes	2	
5883/M	12658Q	83 36 16 60 M10	20	Steel	Black	Yes	2	
5883/M	12650P	83 36 16 60 M10	32	Steel	Black	Yes	2	
5883/M	11565V	83 36 16 60 M10	40	Steel	Black	Yes	2	
5883/M	11565V	83 36 16 60 M10	40	Steel	Black	Yes	2	
5883/M	11566R	83 36 16 60 M10	50	Steel	Black	Yes	2	
5883/M	12653Z	83 36 16 60 M12	50	Steel	Black	Yes	2	
5883/M	12659X	83 36 16 60 M12	63	Steel	Black	Yes	2	

© Rencol Components Ltd. Company No. 07043676