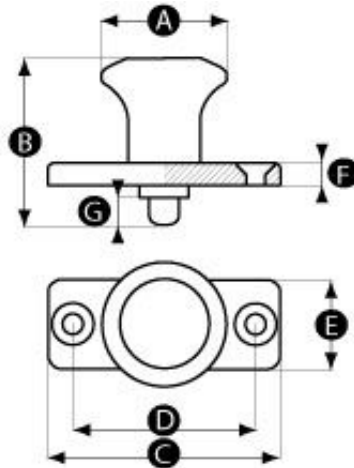


# Model 03 IP - Index Plunger:



## Actions / Downloads:

- [Print](#)



**Knob Material:** High impact resistant thermoplastic

**Knob Finish:** Matt

**Fixing Plate Material:** Zinc plated steel

**Standard Colour:** Black knob

**Options:** Available with or without a 90 degree rest position.



Please refer to the table below for types and sizes of this product. Once you have found the exact component you require, select the 'Quote' button. In the fields provided, enter the quantity you require and add any special options or non-standard colours / threads.

**We will reply by email within one working day with a price and delivery schedule.**

PATTERN	PART NO.	A	B	C	D	E	F	G	Plunger diameter (mm)	Rest Position	Stocked	Item	MOQ	QUOTE REQUEST
71006/FP	11819R	25	37	40	30	18	4.5	6	6	No	Yes		5	<a href="#">Quote</a>
71008/FP	11823X	31	44	46	34	20	5.5	8	8	No	Yes		5	<a href="#">Quote</a>
71006/RFP	11820Y	25	37	40	30	18	4.5	6	6	Yes	Yes		5	<a href="#">Quote</a>
71008/RFP	11824T	31	44	46	34	20	5.5	8	8	Yes	Yes		5	<a href="#">Quote</a>

© Rencol Components Ltd. Company No. 07043676