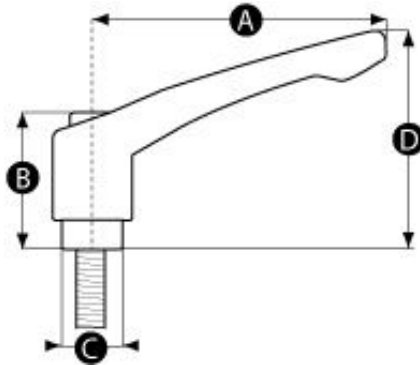


Model 04 CH - Clamping Handle Male:



Actions / Downloads:

- [Print](#)

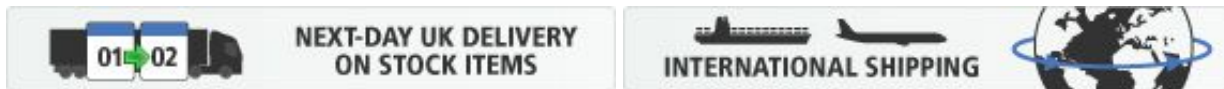


Handle Material: Die cast zinc

Insert Material: Chemically blackened steel boss and ratchet with allen key fixing screw. Stainless steel boss on request (MOQs apply).

Male Thread: Steel or stainless steel.

Handle Colours: Black or orange as standard. Other RAL colours on request (MOQs apply).



Please refer to the table below for types and sizes of this product. Once you have found the exact component you require, select the **'Quote'** button. In the fields provided, enter the quantity you require and add any special options or non-standard colours / threads.

We will reply by email within one working day with a price and delivery schedule.

PATTERN	PART NO.	A	B	C	D	Thread size	Thread length (mm)	Insert material	Handle / Cap Colour	Stocked Item	MOQ	QUOTE REQUEST
4842/M	12075Q	42	25	10	25	M5	16	Steel	Black	Yes	2	Quote
4842/M	12076X	42	25	10	25	M5	20	Steel	Black	Yes	2	Quote
4842/M	12090W	42	25	10	25	M5	20	Stainless Steel	Black	No	100	Quote
4842/M	12091S	42	25	10	25	M5	25	Stainless Steel	Black	No	100	Quote
4842/M	12082V	42	25	10	25	M6	16	Steel	Black	Yes	2	Quote
4842/M	12083R	42	25	10	25	M6	20	Steel	Black	Yes	2	Quote
4842/M	12085U	42	25	10	25	M6	32	Steel	Black	Yes	2	Quote
4842/M	12096U	42	25	10	25	M6	16	Stainless Steel	Black	Yes	2	Quote

4842/M	12097Q	42	25	10	25	M6	20	Stainless Steel	Black	Yes	2	 Quote
4842/M	12099T	42	25	10	25	M6	32	Stainless Steel	Black	Yes	2	 Quote
4865/M	12104V	65	31	14	31	M6	25	Steel	Black	No	2	 Quote
4865/M	12105R	65	31	14	31	M6	32	Steel	Black	No	2	 Quote
4865/M	12118U	65	31	14	31	M6	32	Stainless Steel	Black	No	2	 Quote
4865/M	12119Q	65	31	14	31	M6	40	Stainless Steel	Black	No	2	 Quote
4865/M	12108Q	65	31	14	31	M8	16	Steel	Black	Yes	2	 Quote
4865/M	12109X	65	31	14	31	M8	20	Steel	Black	Yes	2	 Quote
4865/M	12110T	65	31	14	31	M8	25	Steel	Black	Yes	2	 Quote
4865/M	12111P	65	31	14	31	M8	32	Steel	Black	Yes	2	 Quote
4865/M	12112W	65	31	14	31	M8	40	Steel	Black	Yes	2	 Quote
4865/M	12113S	65	31	14	31	M8	50	Steel	Black	Yes	2	 Quote
4865/M	12122P	65	31	14	31	M8	20	Stainless Steel	Black	Yes	2	 Quote
4865/M	12123W	65	31	14	31	M8	25	Stainless Steel	Black	Yes	2	 Quote
4865/M	12124S	65	31	14	31	M8	32	Stainless Steel	Black	Yes	2	 Quote
4865/M	12125Z	65	31	14	31	M8	40	Stainless Steel	Black	Yes	2	 Quote
4865/M	12126V	65	31	14	31	M8	50	Stainless Steel	Black	Yes	2	 Quote
4878/M	12128Y	78	36	16	36	M10	20	Steel	Black	Yes	2	 Quote
4878/M	12130Q	78	36	16	36	M10	32	Steel	Black	Yes	2	 Quote
4878/M	12131X	78	36	16	36	M10	40	Steel	Black	Yes	2	 Quote
4878/M	12132T	78	36	16	36	M10	50	Steel	Black	Yes	2	 Quote
4878/M	12135S	78	36	16	36	M10	20	Stainless Steel	Black	Yes	2	 Quote
4878/M	12137V	78	36	16	36	M10	32	Stainless Steel	Black	Yes	2	 Quote
4878/M	12138R	78	36	16	36	M10	40	Stainless Steel	Black	Yes	2	 Quote
4892/M	12142X	92	43	19	43	M10	20	Steel	Black	Yes	2	 Quote
4892/M	12144P	92	43	19	43	M10	32	Steel	Black	Yes	2	 Quote
4892/M	12145W	92	43	19	43	M10	40	Steel	Black	Yes	2	 Quote
4892/M	12146S	92	43	19	43	M10	50	Steel	Black	Yes	2	 Quote
4892/M	12160R	92	43	19	43	M10	50	Stainless Steel	Black	Yes	2	 Quote
4892/M	12161Y	92	43	19	43	M10	63	Stainless Steel	Black	No	100	 Quote
4892/M	12151U	92	43	19	43	M12	32	Steel	Black	Yes	2	 Quote

4892/M	12152Q	92	43	19	43	M12	40	Steel	Black	Yes	2	 Quote
4892/M	12153X	92	43	19	43	M12	50	Steel	Black	Yes	2	 Quote
4892/M	12154T	92	43	19	43	M12	63	Steel	Black	Yes	2	 Quote
4892/M	12165T	92	43	19	43	M12	32	Stainless Steel	Black	Yes	2	 Quote
4892/M	12166P	92	43	19	43	M12	40	Stainless Steel	Black	Yes	2	 Quote
4892/M	12167W	92	43	19	43	M12	50	Stainless Steel	Black	Yes	2	 Quote
4892/M	12168S	92	43	19	43	M12	63	Stainless Steel	Black	Yes	2	 Quote
48108/M	12171R	108	51	23	51	M16	40	Steel	Black	No	100	 Quote
48108/M	12176T	108	51	23	51	M16	40	Stainless Steel	Black	No	100	 Quote

© Rencol Components Ltd. Company No. 07043676