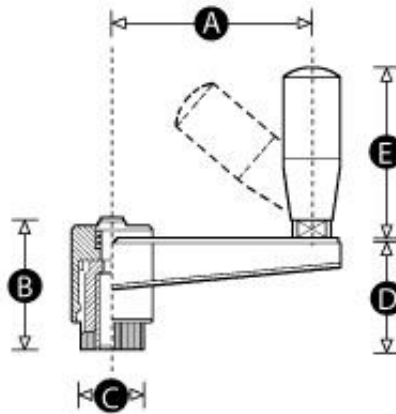


Model 08 CR - Index Cranking Handle:



Actions / Downloads:

Material: High impact resistant thermoplastic

Standard Colour: Black

Finish: Matt

Female Insert Material: Brass

Side Handle: Folding and revolving side handle



Please refer to the table below for types and sizes of this product. Once you have found the exact component you require, select the 'Quote' button. In the fields provided, enter the quantity you require and add any special options or non-standard colours / threads.

We will reply by email within one working day with a price and delivery schedule.

PATTERN	PART NO.	A	B	C	D	Thread size	Stocked	Item	MOQ	QUOTE REQUEST
5465	5459P	65	45	27	36	M8	No			
5465	5460V	65	45	27	36	M10	No			
5465	5461Y	65	45	27	36	M12	No			
5480	5464W	80	52	34	46	M10	No			
5480	5462Q	80	52	34	46	M12	No			
5480	5463T	80	52	34	46	M14	No			
54110	5465P	110	52	34	47	M12	No			

10/15/13

Thermoplastic Index Cranking Handle with folding side handle | Cranking Handles and Levers | Rencol Components

54110	5466R	110 52 34 47 M14	No
-------	-------	------------------	----

54110	5467U	110 52 34 47 M16	No
-------	-------	------------------	----

© Rencol Components Ltd. Company No. 07043676