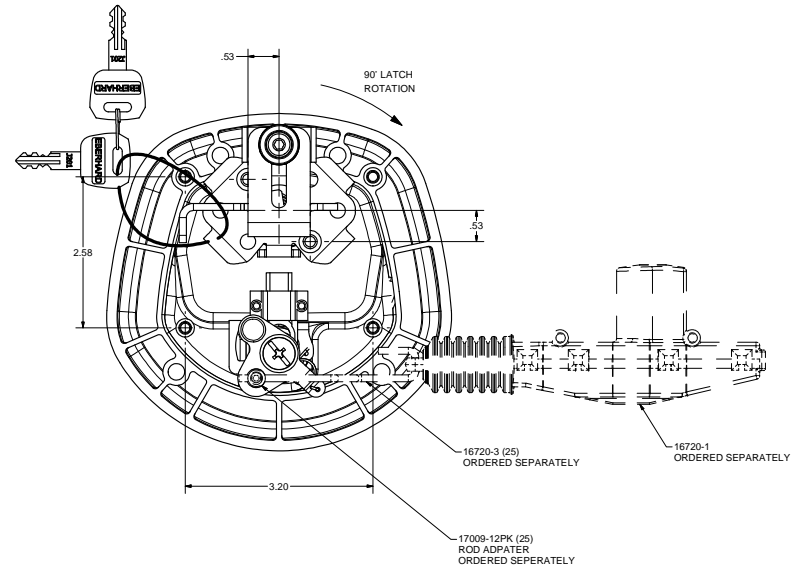
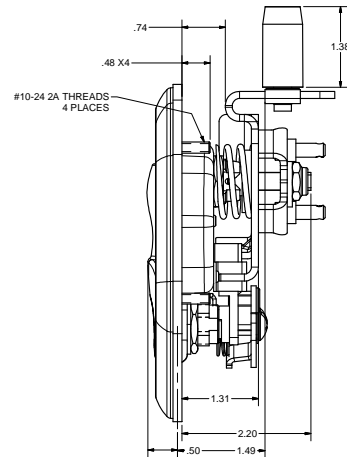
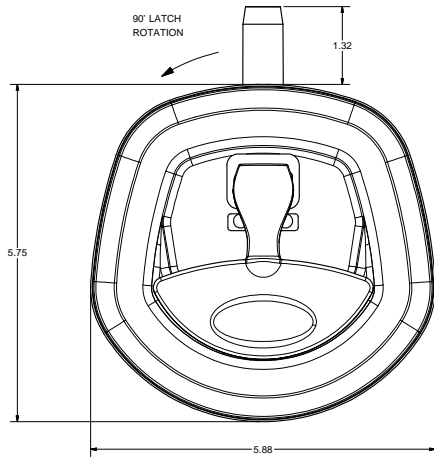
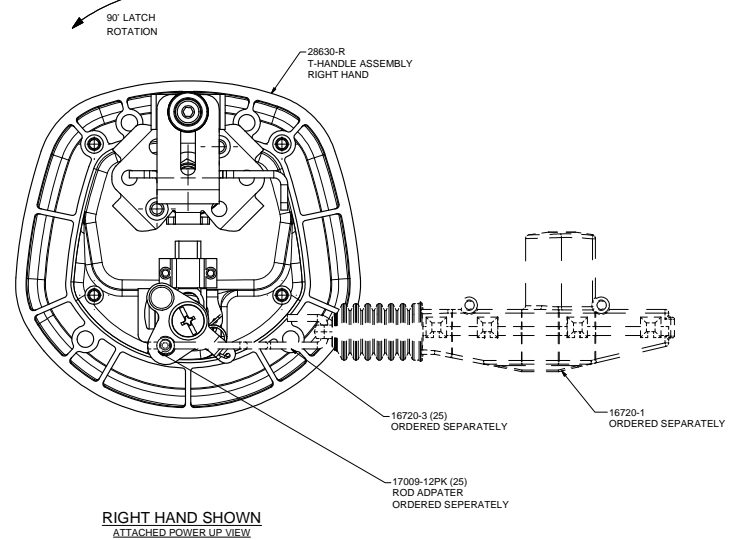
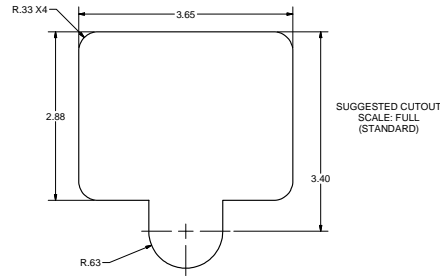
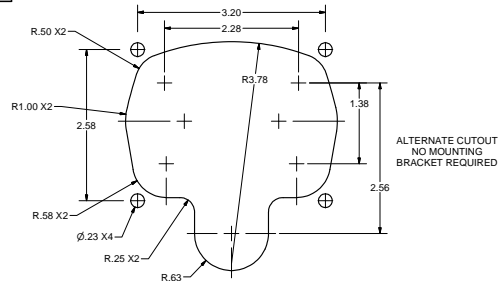
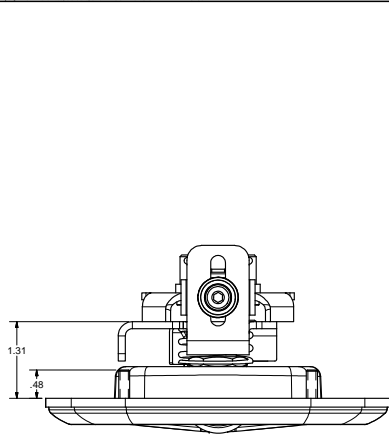
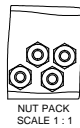


CONFIDENTIAL NOTICE: This drawing and the design, specifications and engineering information disclosed herein are the property of Eberhard Manufacturing Company and are not to be disseminated or reproduced without express written consent. The drawing is intended to be used for the manufacture of the parts disclosed herein. It is the responsibility of the customer to verify the accuracy of the drawing information disclosed herein to confidence and not to use for parts that are not intended.

REV	DESCRIPTION	BY	DATE	CHK'D	APP'D
1	RELEASED FOR PRINT				



- NOTES:
1. FINISHES:
A. BRIGHT POLISHED RECEPTACLE AND CHROME HANDLE; FC (03)
B. BLACK POWDER (TEXTURED) RECEPTACLE AND HANDLE; FC (42)
C. BLACK POWDER (TEXTURED) RECEPTACLE AND CHROME HANDLE; FC (35)
2. 35 IN-LBS MAX. TORQUE ON MOUNTING STUDS
3. KEY CYLINDER WITH 10 KEY CHANGES, J201 THRU J210
SUPPLIED WITH TWO DOUBLE BITTED KEYS
EXAMPLE ORDER AS: P1-28630-RL-JXX-X-X



FINISH CODE
(SEE NOTE #1)
KEY NUMBER

CUSTOMER PRINT
SHEET 1 OF 2
LEFT HAND SHOWN
RIGHT HAND OPPOSITE

ASSEMBLY P/N	MOUNTING BRACKET KIT P/N	NUT PACK	PATENTED	EBERHARD MANUFACTURING CO.
P1-28630-RL	NONE	NONE	THIS DOCUMENT IS IN ACCORDANCE WITH ISO 9000	DIVISION OF THE EASTERN COMPANY CLEVELAND, OHIO 44149-0112
P1-28630-RLPK	NONE	INCLUDED	UNLESS OTHERWISE SPECIFIED TOLERANCES ARE AS FOLLOWS:	KEY LOCKING / PADLOCKABLE COMPRESSION LATCH - POWER LOCKING
P1-28630A-URL	28400A-60U	NONE	ANGLES: .4° 4.7°	
P1-28630B-URL	28400B-60U	NONE	# PLACES DEC: 0.05 0.10	
P1-28630C-URL	28400C-60U	NONE	# PLACES DEC: 0.05 0.10	
			ALL DIMS: 0.05 0.10	P1-28630-RL