

# Swing Handle 1101-1001

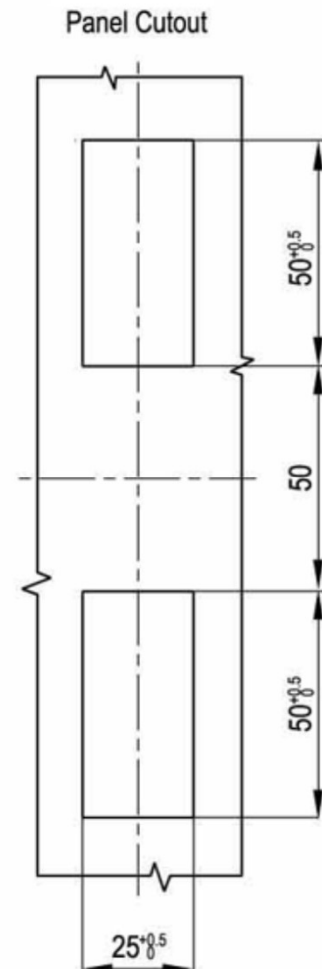
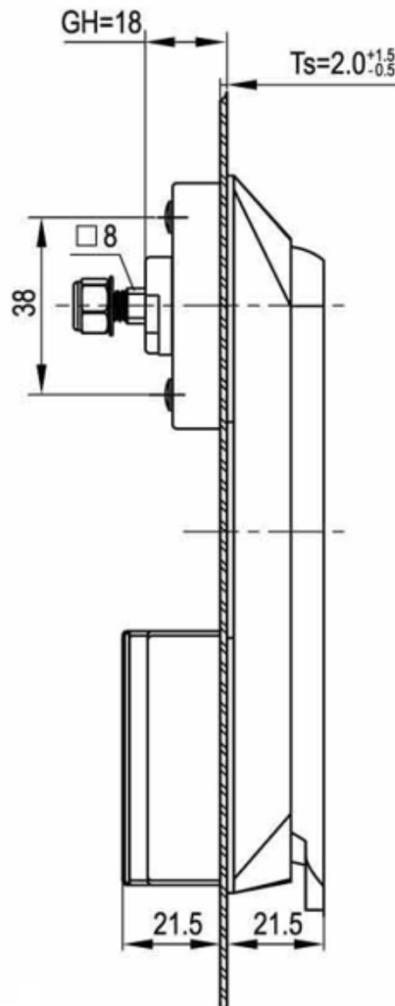
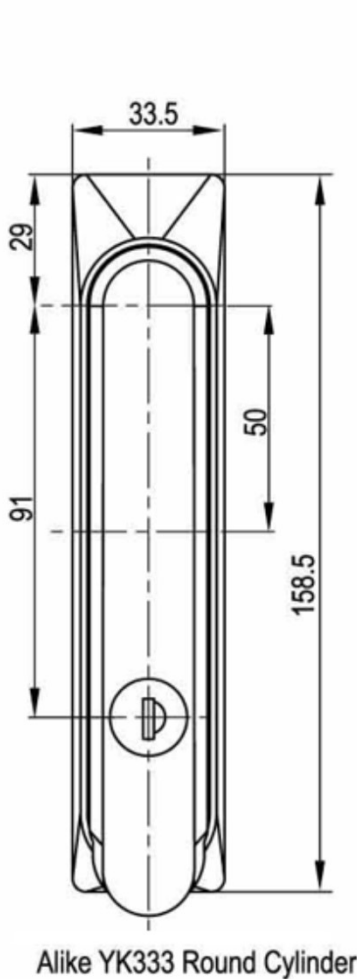
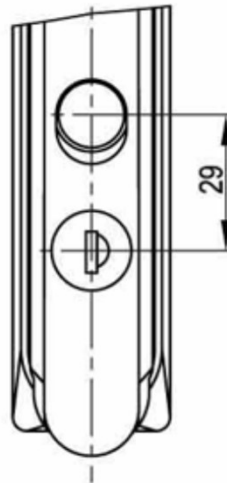
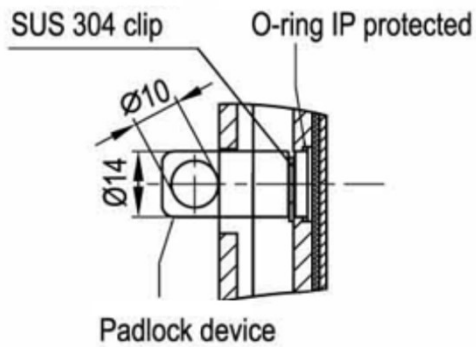
With & without dust cover

Key lockable/ available with padlock hasp

Material: Plastic body & handle,  
zinc plated shaft & fixing parts



**Concept  
Latch Lock & Hinge**



[www.conceptlatch.com.au](http://www.conceptlatch.com.au)  
[sales@conceptlatch.com.au](mailto:sales@conceptlatch.com.au)  
03 9388 2551