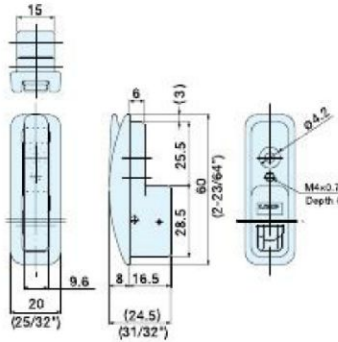


RECESSED HOOK



NF-60

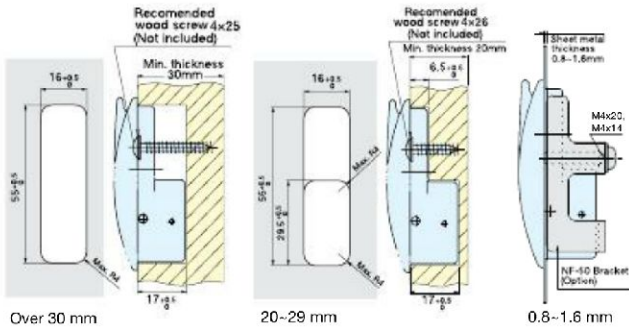


- Hook is spring loaded to retract.
- Ideal for vibration or shock applications.
- Panel Thickness:
Wood: Min. 20 mm (25/32")
Sheet Metal: 0.8-1.6 mm with optional bracket NF-50, sold separately.

Part Name	Material	Finish
Body	Aluminum	Grey
Pin/Spring	304 Stainless Steel	Plain
Rubber	Polychloroprene	Black

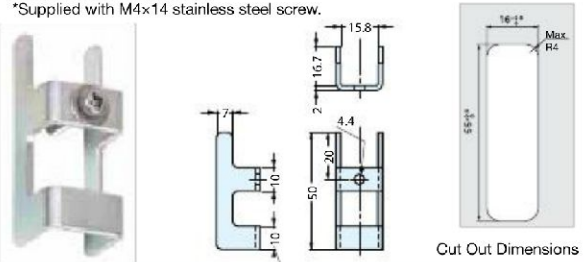
Item No.	Load Capacity (kg)	Weight (g)	Box (pcs)	Carton (pcs)
NF-60	20 (44 lbs)	31	10	200

BORE DIMENSIONS THICKNESS



NF-50 BRACKET

For sheet metal application.
*Supplied with M4x14 stainless steel screw.

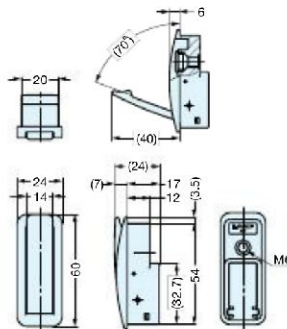


Item No.	Weight (g)	Box (pcs)	Carton (pcs)	Material
NF-50	22	20	400	Steel

SOFT CLOSE RECESSED HOOK



NF-60D

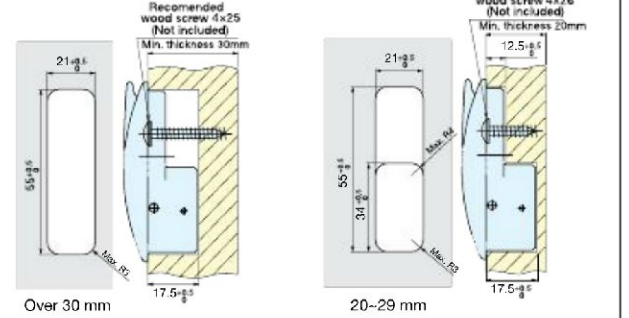


- Hook is spring loaded to retract with a soft closing action.
- Ideal for vibration or shock applications.
- Panel Thickness:
Wood: Min. 20 mm (25/32")
Sheet Metal: 0.8-1.6 mm with optional bracket NF-50D (sold separately).

Part Name	Material	Finish
Body	Aluminum	Grey/Silver
Pin/Spring	304 Stainless Steel	Plain
Rubber	Polychloroprene	Black
Cover	POM	Grey

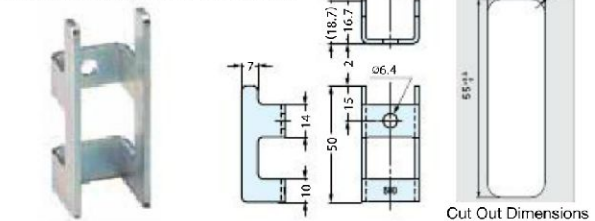
Item No.	Finish	Load Capacity (kg)	Weight (g)	Box (pcs)	Carton (pcs)
NF-60D/GR	Grey	30 (66 lbs)	49	10	200
NF-60D/SL	Silver				

BORE DIMENSIONS THICKNESS



NF-50D BRACKET

For sheet metal application.
*Supplied with M6x20 stainless steel screw.



Item No.	Weight (g)	Box (pcs)	Carton (pcs)	Material
NF-50D	25	20	400	Steel

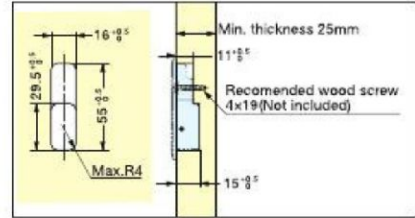
RECESSED HOOK



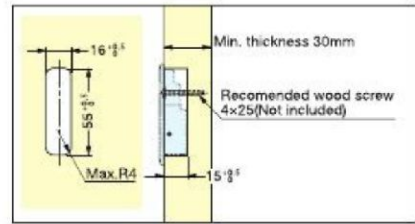
NF-R64



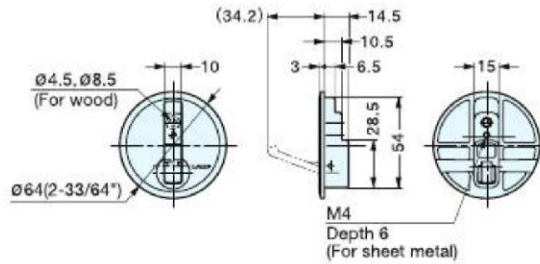
- Hook is spring loaded to retract.
- Ideal for vibration or shock application.
- Panel Thickness:
 - Wood: Minimum 25 mm (1")
 - Sheet metal: 0.8-1.6 mm with optional bracket NF-50, sold separately.



Bore Dimensions
(For thickness over 25-29 mm)



Bore Dimensions
(For thickness over 30 mm)



Item No.	Load Capacity (kg)	Weight (g)	Box (pcs)	Carton (pcs)	Material	Finish
NF-R64	20 (44 lbs)	90	10	120	Zinc Alloy	Chrome

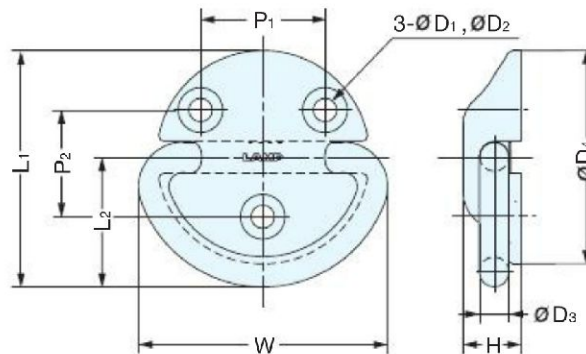
HEAVY DUTY FOLDING PAD EYE



EY-R



- Loop has constant torque, ideal for vibration or shock application.
- Suitable for marine, RV or freight applications.



Item No.	Weight (g)	Box (pcs)	Carton (pcs)
EY-R50	116	10	120
EY-R60	202	10	60
EY-R80	431	5	30

Material	Finish
Body: 316 Stainless Steel/Loop: 304 Stainless Steel	Plain

Item No.	L ₁	L ₂	W	P ₁	P ₂	H	ØD ₁	ØD ₂	ØD ₃	ØD ₄	Load Capacity (kg)	Screw
EY-R50	54 (2-1/8")	30 (1-11/64")	56.5 (2-7/32")	28	24	14.5	5.5	10.4	7.5	48	500 (1100 lbs)	M5 x 16
EY-R60	66.5 (2-39/64")	36.5 (1-7/16")	70 (2-3/4")	35	30	16	6.6	12.6	8.5	60	800 (1760 lbs)	M6 x 16
EY-R80	88.5 (3-31/64")	48.5 (1-29/32")	94 (3-45/64")	45	40	19	9	17.3	11	80	1200 (2640 lbs)	M8 x 16