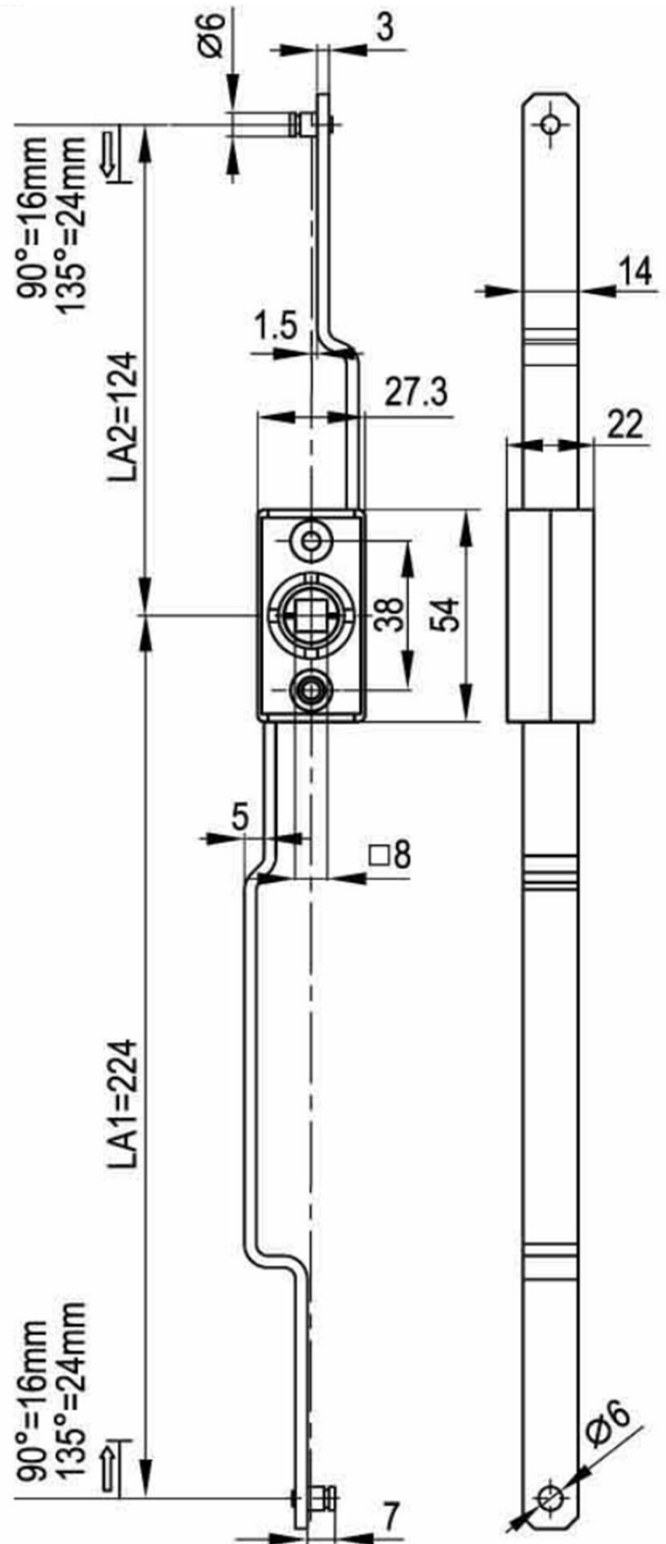
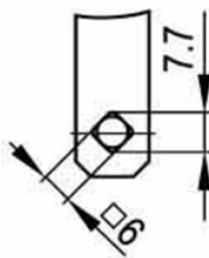
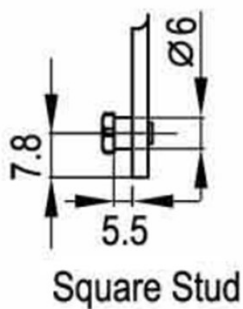
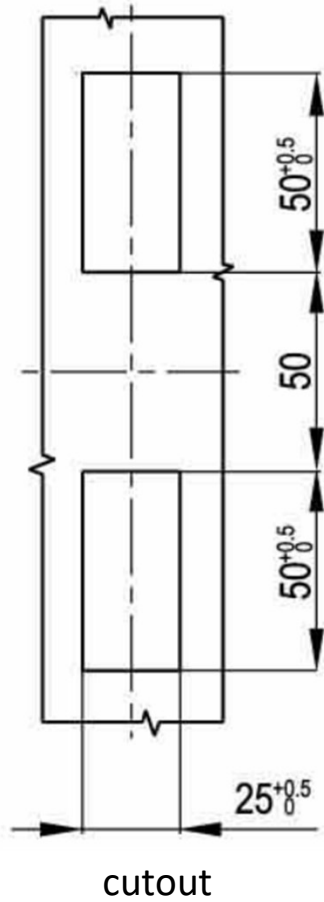




**Concept
Latch Lock & Hinge**

Rod Control 1190-2

Material: Zinc diecast body
& mild steel zinc plated flat rod.
Suits swing handle 1101-1001-C



www.conceptlatch.com.au
sales@conceptlatch.com.au
03 9388 2551