

Rue Ring Locking Cotter

Material: Zinc plated steel

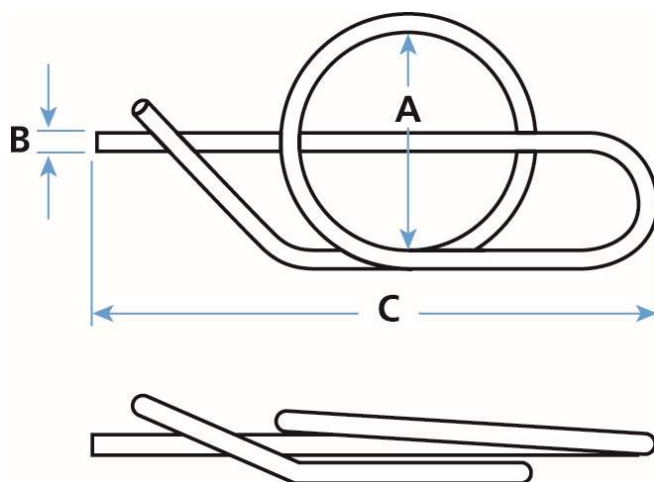


Pivot Point originally invented Rue Ring™ Locking Cotter Pins. Don't be fooled by imitations! Our original proven design and manufacturing specifications ensure proper fit and function.

The popular and revolutionary Rue Ring™ Locking Cotter Pin surrounds the shaft and locks itself on, making it one of the safest cotters available today- unlike R Clips and other Cotter Pin Clips. Rue Ring™ Locking Cotter Pins are best used on light to medium applications. Rue Ring™ Locking Cotter Pins install fast without tools. Easy to install and easy to remove! Also known as Rue Cotters, Ring Cotters, Locking Ring Cotters, SureLock Cotters, SureLock Ring Cotters and Ring Clips.

A manual secondary lock tensions the Rue Ring™ tight and dampens vibration.

Made of hard drawn MB spring wire, zinc plated or Stainless Steel.



Part Number	Size [in]	Type	Wire Diameter - B [in]	Material
RUE-8	1/4	Standard	0.041	Zinc Plated Steel
RUE-9H	1/4	Standard - Heavy	0.054	Zinc Plated Steel
RUE-10	5/16	Standard	0.047	Zinc Plated Steel
RUE-14	3/8	Standard	0.054	Zinc Plated Steel
RUE-19	7/16	Standard - Heavy	0.072	Zinc Plated Steel
RUE-22	1/2	Standard	0.062	Zinc Plated Steel
RUE-24	1/2	Standard - Heavy	0.072	Zinc Plated Steel
RUE-24LL	1/2	Lifting Loop	0.072	Zinc Plated Steel
RUE-30	5/8	Standard	0.072	Zinc Plated Steel
RUE-34	3/4	Standard	0.08	Zinc Plated Steel
RUE-36	3/4	Standard - Heavy	0.091	Zinc Plated Steel
RUE-40	7/8	Standard - Heavy	0.105	Zinc Plated Steel
RUE-42	1	Standard	0.105	Zinc Plated Steel
RUE-8-S	1/4	Standard	0.041	Stainless Steel
RUE-10-S	5/16	Standard	0.047	Stainless Steel
RUE-14-S	3/8	Standard	0.054	Stainless Steel
RUE-24-S	1/2	Standard - Heavy	0.072	Stainless Steel
RUE-30-S	5/8	Standard	0.072	Stainless Steel
RUE-36-S	3/4	Standard - Heavy	0.091	Stainless Steel