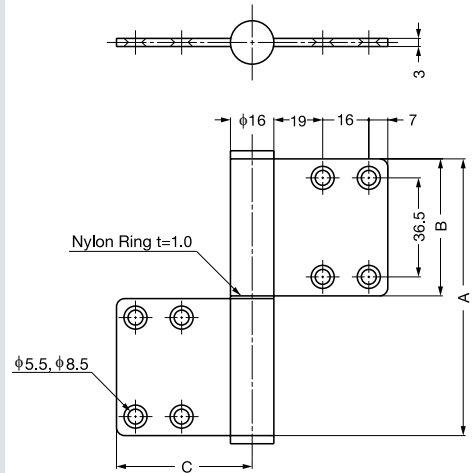


LIFT-OFF HINGE S-6173-2



- Screw hole is countersunk from both sides.
- Non-Handed: Can be installed on left or right side.
- Door weight: Max. 40kg/pair.



Material	Finish
Stainless Steel (304)	Satin

RdHS	CAD	Item Code	Item Name	A	B	C	Weight (g)	Box (pcs)	Carton (pcs)
-	-	170-099-404	S-6173-2	102	50.5	50	240	12	60

TORQUE HINGES

DAMPER HINGES

LIFT ASSIST HINGES

DETENT HINGES

CONCEALED HINGES

BUTT HINGES

PIANO HINGES

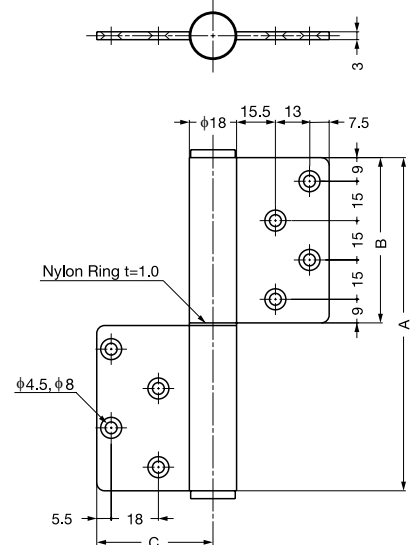
STEP HINGES

LIFT-OFF HINGES

LIFT-OFF HINGE S-6173-5



- Screw hole is countersunk from both sides.
- Non-Handed: Can be installed on left or right side.
- Door weight: Max. 50kg/pair.



Material	Finish
Stainless Steel (304)	Satin

RdHS	CAD	Item Code	Item Name	A	B	C	Weight (g)	Box (pcs)	Carton (pcs)
-	-	170-099-405	S-6173-5	127	63	45	330	8	40

PIVOT HINGES

SPRING HINGES

CLEAN ROOM HINGES

HINGES FOR ALUMINIUM FRAME

DROP HINGES

GLASS DOOR HINGES

SPECIAL HINGES