



**Concept  
Latch Lock & Hinge**

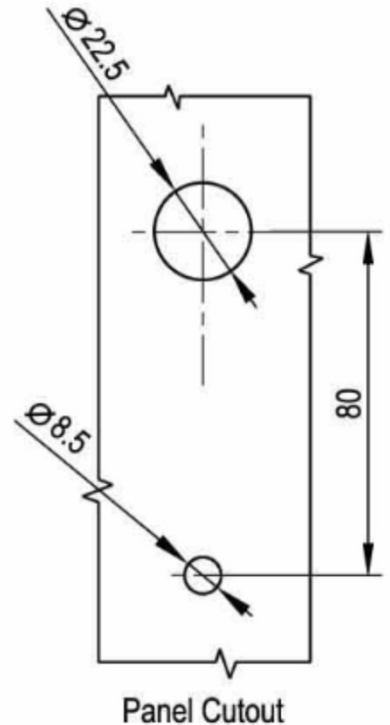
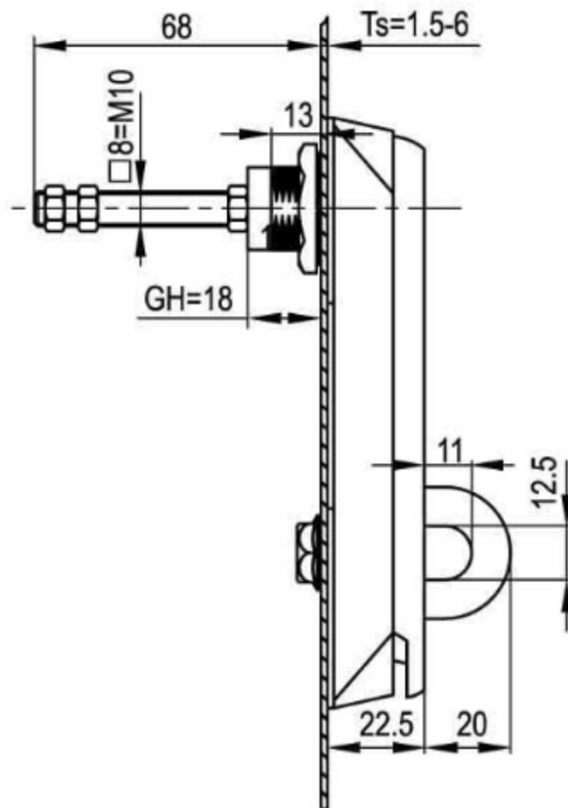
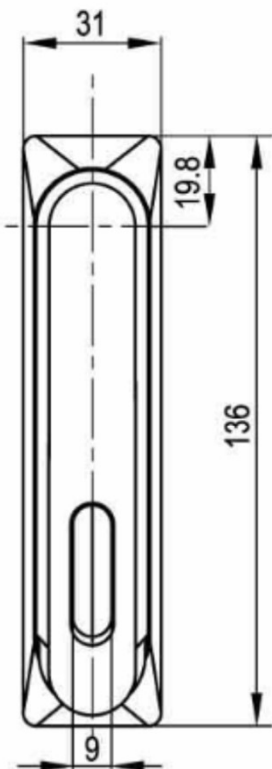


## Swing Handle 1205-304

Padlockable

Material: Stainless Steel 304

Also in 316 Stainless Steel (1205-316)



[www.conceptlatch.com.au](http://www.conceptlatch.com.au)  
[sales@conceptlatch.com.au](mailto:sales@conceptlatch.com.au)  
03 9388 2551