

TRUNK HANDLE

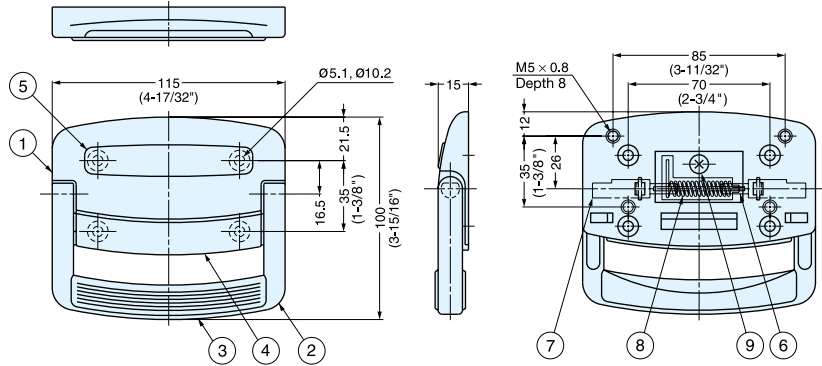
TEST 1
P.658



TMU-115



- Spring loaded trunk handle.
- Designed for both surface and back mount.
- Durable construction.
- Rubber pad on handle for good grip.



No.	Part Name	Material	Finish
①	Body	Zinc Alloy	Chrome
②	Handle		
③	Grip	Synthetic Rubber	Black
④	Case Cover 1		
⑤	Case Cover 2	Steel	Yellow Zinc Chromate
⑥	Back Case		
⑦	Shaft	Steel	Yellow Zinc Chromate
⑧	Spring	Steel	
⑨	Screw	Steel	Yellow Zinc Chromate

Item No.	Load Capacity (kg)	Weight (g)	Box (pcs)	Carton (pcs)
TMU-115	40 (80 lbs)	460	10	40

TRUNK HANDLE

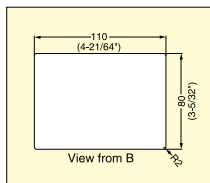
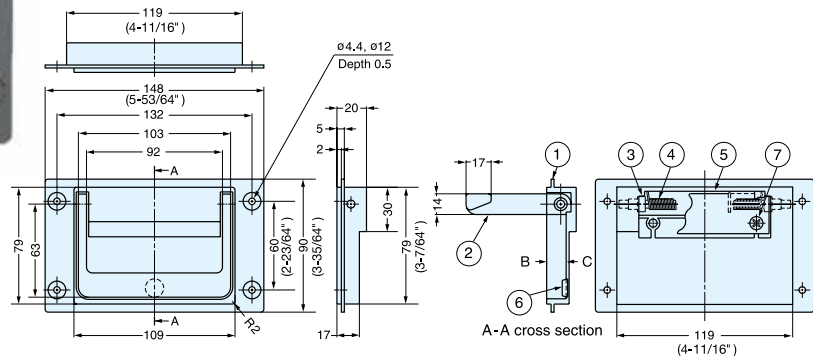
TEST 1
P.658



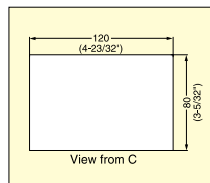
PT-148



- Spring loaded trunk handle.
- Designed to be back mounted on sheet metal.



Cut Out Dimensions for back mount



Cut Out Dimensions for surface mount

No.	Part Name	Material	Finish
①	Body	Zinc Alloy	Grey
②	Handle		Plain
③	Shaft	Steel	Yellow Zinc Chromate
④	Spring		
⑤	Back Case	Synthetic Rubber	Clear
⑥	Bumper		
⑦	Screw	Steel	Chromate

Item No.	Load Capacity (kg)	Weight (g)	Box (pcs)	Carton (pcs)
PT-148	50 (110 lbs)	645	10	100