

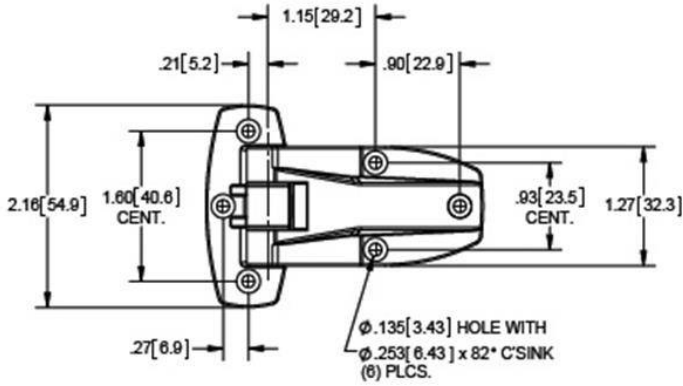


Concept Latch Lock & Hinge

**Flush, Glass reinforced
thermoplastic, heavy duty hinge**



- **smooth black finish**
- **Pin: glass reinforced thermoplastic, non-removable**
- **UV stable & rust proof**
- **self lubricating washers**
- **reinforced ribs on underside for added strength**
- **available in 3 different sizes & weight ratings**



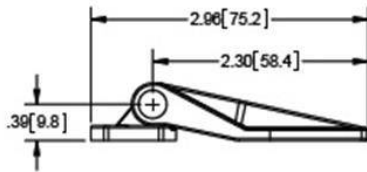
1004P02

Small Hinge

Maximum loading:

Axial: 100 lbs (45 kg)

Radial: 200 lbs (90 kg)



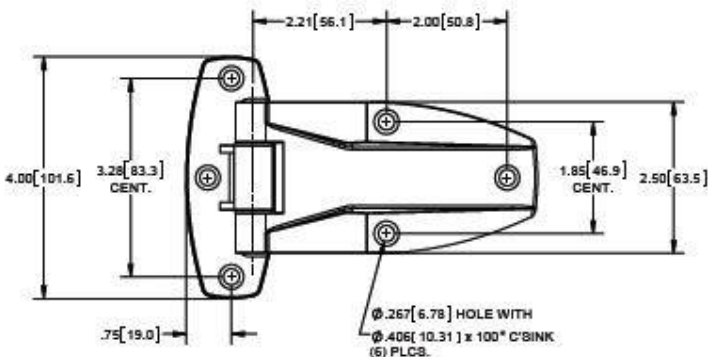
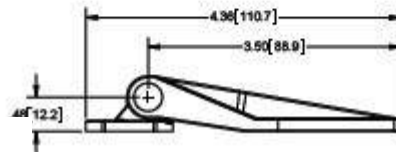
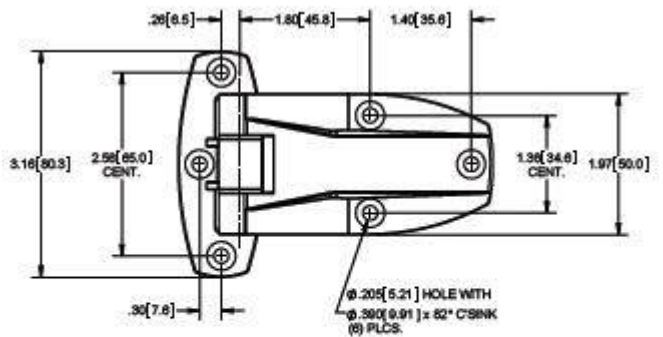
1004P01

Medium Hinge

Maximum loading:

Axial: 150 lbs (68 kg)

Radial: 300 lbs (136 kg)



1004P

Large Hinge

Maximum loading:

Axial: 200 lbs (90 kg)

Radial: 400 lbs (181 kg)

