



# A3 Push-to-Close Latch

Slide-to-open · Flush · Locking

- Single hole snap-in installation
- Corrosion-resistant materials

### Material and Finish

Latch: ABS, black  
Spring: Stainless steel

### Performance Details

Operating temperature range:  
-40°C (-40°F) to 60°C (140°F)

Flammability rating: UL94-V0

### Installation Notes

Prepare a burr free hole  
Door thickness must include plating or paint thickness

### Accessories

Flat key, keyed alike CH751  
(2 keys per ring)  
Part number: PK-10-01

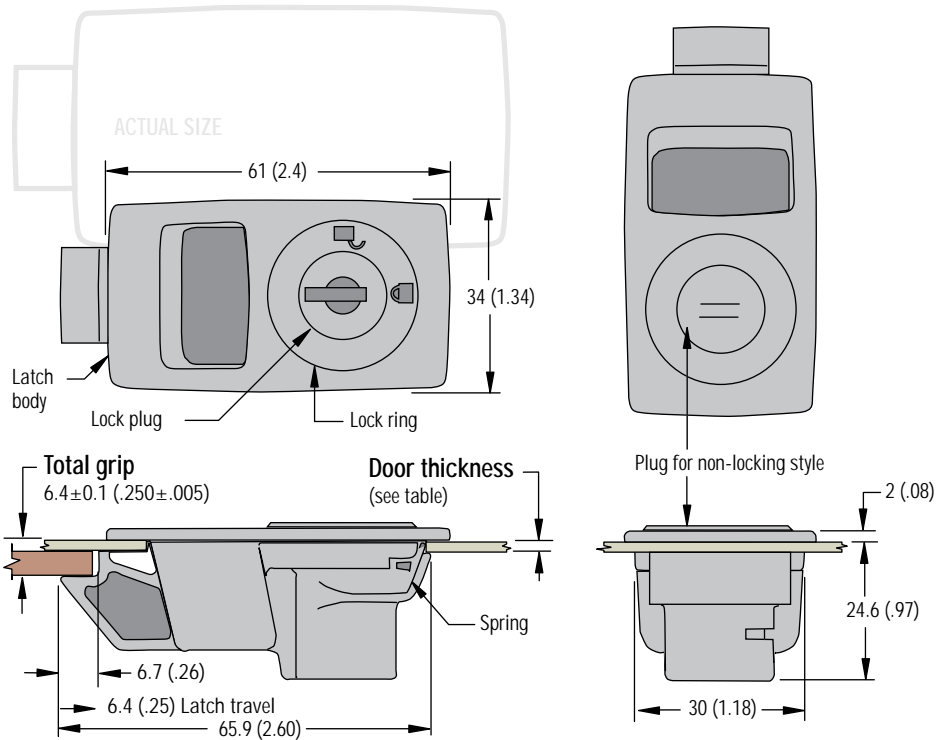


Overmolded key, keyed alike CH751  
(2 keys per ring)  
Part number: PK-10-01-05

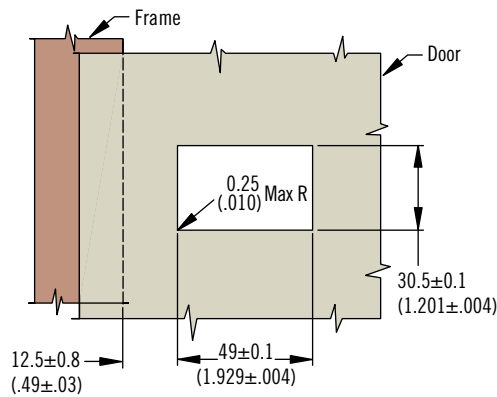


### Part Number

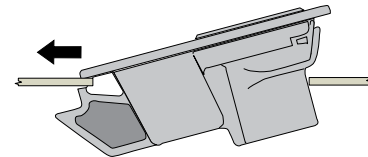
See table



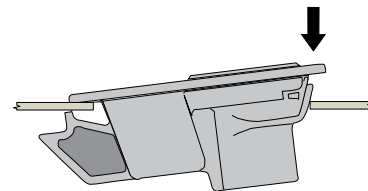
### Installation



1. Slip front of latch through hole, push forward



2. Snap back end of latch into position



Door Thickness	Part Number		
	Non-Locking	Key-Locking Keyed Alike CH751 (No Keys Supplied)	Key-Locking Keyed Alike CH751 (2 Flat Keys Supplied)
0.9 (.035) to 1.2 (.047)	A3-80-525-12	A3-85-525-12	A3-87-525-12
1.3 (.051) to 1.6 (.062)	A3-80-625-12	A3-85-625-12	A3-87-625-12

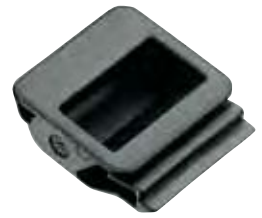
Dimensions in millimeters (inch) unless otherwise stated



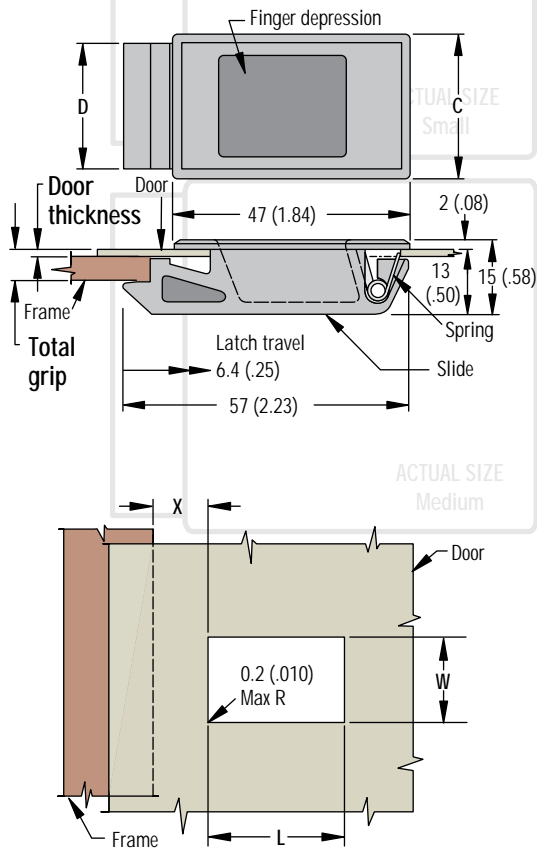
[www.southco.com/A3](http://www.southco.com/A3)

# A3 Push-to-Close Latch

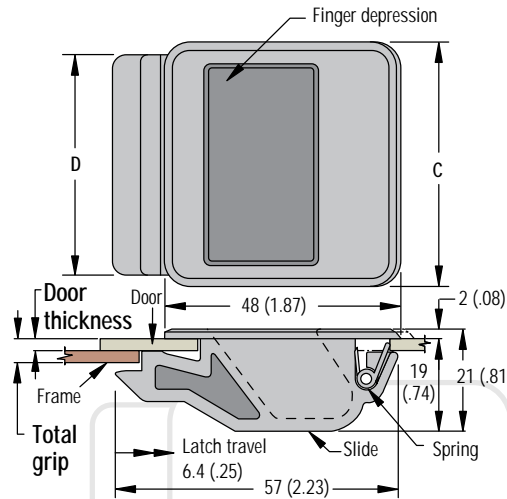
Slide-to-open · Flush



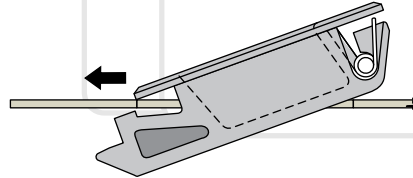
## Small and Medium



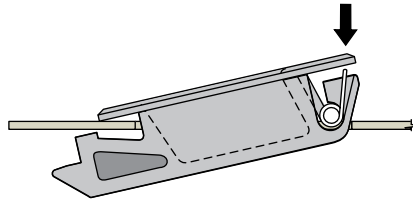
## Large (deeper depression)



1. Slip front of latch through hole, push forward



2. Snap back end of latch into position



Series	Installation		
	L	W	X
Small	38.1±0.1 (1.50±.005)	25.4±0.1 (1.0±.005)	12.7±0.7 (.5±.03)
Medium		44.5±0.1 (1.75±.005)	
Large			

Size	Door Thickness	Total Grip	Dimensions		Part Number	
			C	D	UL94-HB	UL94-V0
Small	1.2±0.1 (.050±.005)	6.4±0.1 (.250±.005)	28 (1.11)	25 (.99)	A3-40-525-12	A3-99-187-12
	1.6 <sup>+0</sup> <sub>-.02</sub> (.060±.005)	6.4±0.1 (.250±.005)	28 (1.11)	25 (.99)	A3-40-625-12	A3-99-130-12
Medium	2.2 <sup>+0.2</sup> <sub>-0</sub> (.090±.005)	6.4±0.1 (.250±.005)	47 (1.86)	44 (1.74)	A3-50-925-12	A3-99-144-12
Large	2.2 <sup>+0.2</sup> <sub>-0</sub> (.090±.005)	6.4±0.1 (.250±.005)	50 (1.95)	44 (1.74)	A3-99-122-12	A3-99-253-01

- Single hole snap-in installation
- Corrosion-resistant materials

### Material and Finish

Latch: ABS, black  
Spring: Stainless steel

### Performance Details

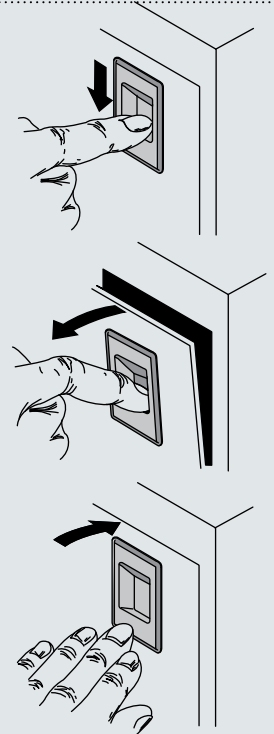
Max. working load:  
40 series 180 N (40 lbf)  
50 and 99 series  
220 N (50 lbf)

Operating temperature range:  
-40°C (-40°F) to 60°C (140°F)

Flammability rating:  
UL94-HB or UL94-V0

### Installation Notes

Prepare a burr free hole  
Door thickness must include plating or paint thickness



### Part Number

See table





# A3 Push-to-Close Latch

Slide-to-open · Ergo tab style

- Single hole snap-in installation
- Corrosion-resistant materials

### Material and Finish

Latch: ABS, black

Spring: Stainless steel

### Performance Details

Max. working load:

Medium: 90 N (20 lbf)

Large: 130 N (29 lbf)

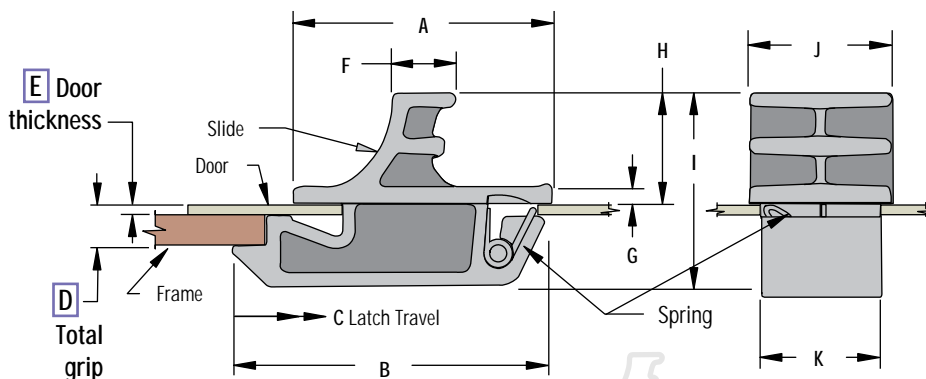
Operating temperature range:  
-40°C (-40°F) to 60°C (140°F)

Flammability rating: UL94-V0

### Installation Notes

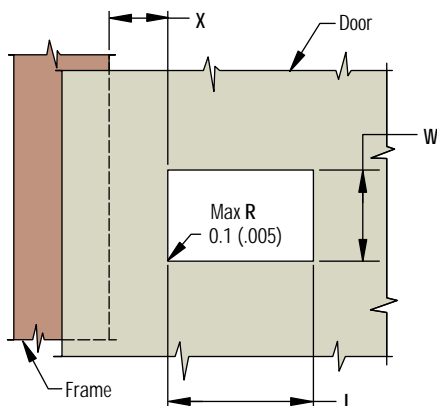
Prepare a burr free hole

Door thickness must include plating or paint thickness

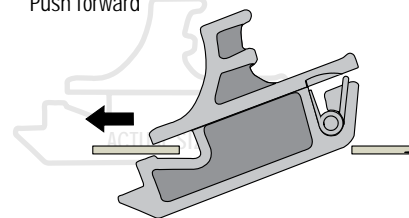


### Installation

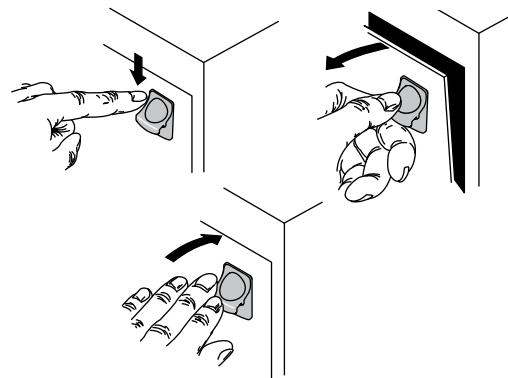
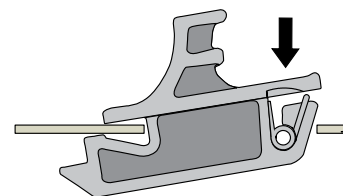
1. Prepare burr-free hole



2. Slip front of latch through hole  
Push forward



3. Snap back end of latch into position



Size	Installation		
	L	W	X
Medium	12.7±0.1 (.500±.005)	7.8±0.05 (.307±.002)	6.4±0.8 (.25±.03)
Large	22.2±0.1 (.875±.005)	14.3±0.1 (.562±.005)	9.5±0.8 (.38±.03)

### Part Number

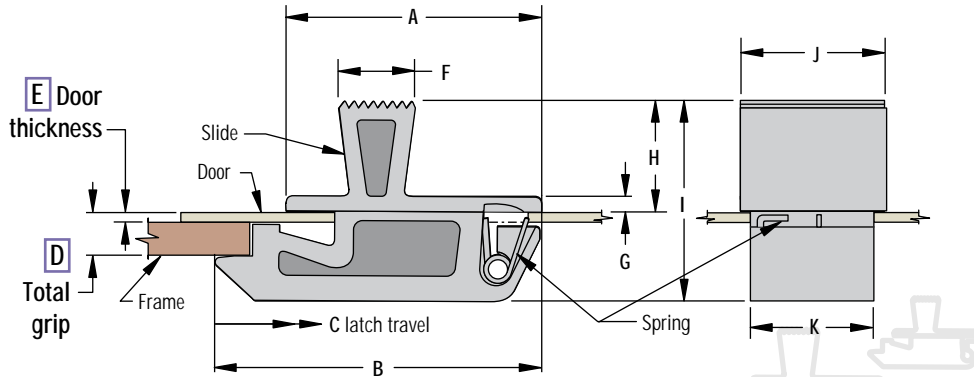
See table

E Door Thickness	D Total Grip	Dimensions									Part Number	Size
		A	B	C	F	G	H	I	J	K		
1 ± 0.1 (.04±.005)	3 ± 0.1 (.12±.005)	19 (.75)	22.2 (.87)	4 (.16)	5.1 (.20)	1.5 (.06)	8.3 (.33)	15.5 (.61)	9.5 (.37)	7.6 (.30)	A3-70-412-25	Medium
1.2+0.2-0 (.05±.005)	4.8 ± 0.1 (.19±.005)	30.1 (1.19)	36.2 (1.43)	4.3 (.17)	7.2 (.28)	2.2 (.09)	12.8 (.50)	22.4 (.88)	16.5 (.65)	14 (.55)	A3-60-519-25	Large



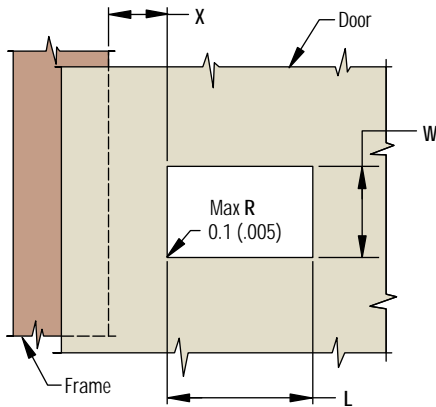
# A3 Push-to-Close Latch

## Slide-to-open · Tab style

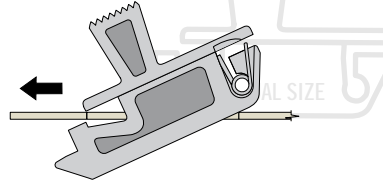


### Installation

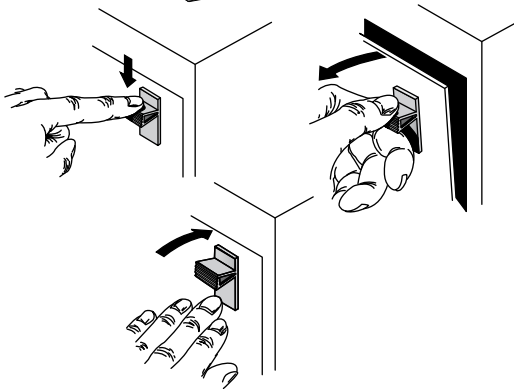
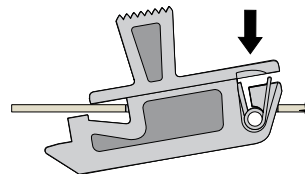
1. Prepare burr-free hole



2. Slip front of latch through hole  
Push forward.



3. Snap back end of latch into position



Size	Installation		
	L	W	X
Small	8.33±0.05 (.328±.002)	4.57±0.05 (.180±.002)	4.8 ±0.8 (.19±.03)
Medium	12.7±0.1 (.500±.005)	7.8±0.05 (.307±.002)	6.4±0.8 (.25±.03)
Large	22.2±0.1 (.875±.005)	14.3±0.1 (.562±.005)	9.5±0.8 (.38±.03)

- Single hole snap-in installation
- Corrosion-resistant materials

### Material and Finish

Latch: ABS, black

Spring: Stainless steel

### Performance Details

Max. working load:

Small 25 N (5 lbf)

Medium 90 N (20 lbf)

Large 130 N (30 lbf)

Operating temperature range:  
-40°C (-40°F) to 60°C (140°F)

Flammability rating: UL94-HB

### Installation Notes

Prepare a burr free hole

Door thickness must include plating or paint thickness

### Part Number

See table

E Door Thickness	D Total Grip	Dimensions									Part Number	Size
		A	B	C	F	G	H	I	J	K		
.76±.08 (.030±.003)	2.54±0.13 (.100±.005)	11.9 (.47)	15.1 (.59)	3 (.12)	4.0 (.16)	0.8 (.03)	5.6 (.22)	11.1 (.44)	6.0 (.23)	4.4 (.17)	A3-10-310-12	Small
1±0.1 (.04±.005)	3±0.1 (.12±.005)	18 (.70)	22.5 (.87)	4 (.16)	5.5 (.22)	1.5 (.06)	8.5 (.33)	15.5 (.61)	9.5 (.37)	7.5 (.30)	A3-20-412-12	Medium
1.2±0.2-0 (.05±.005)	4.8±0.1 (.19±.005)	29 (1.13)	36 (1.41)	4.3 (.17)	9 (.34)	2 (.08)	13 (.50)	22.5 (.87)	16.5 (.64)	14 (.55)	A3-30-519-12	Large