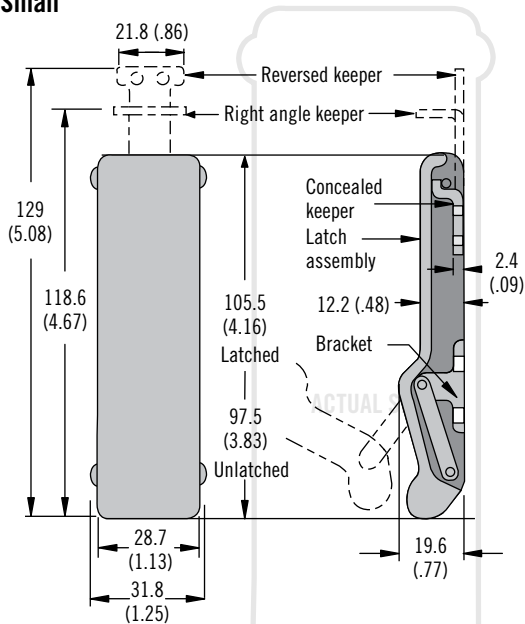


# C7 Draw Latch

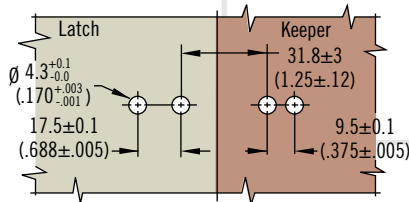
Flexible · Over-center



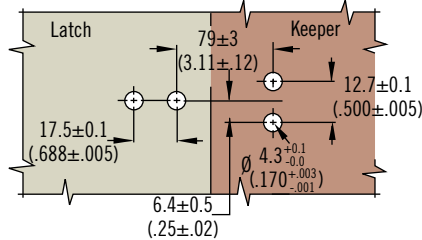
## Small



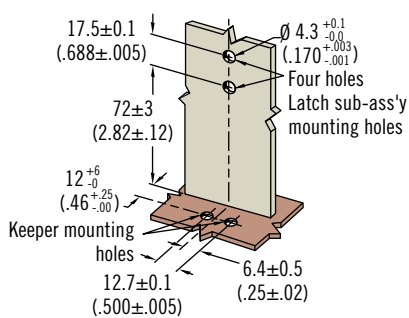
For concealed keeper



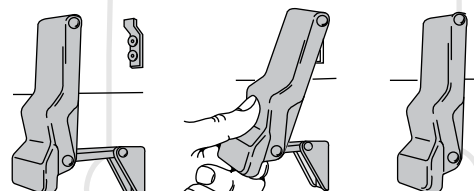
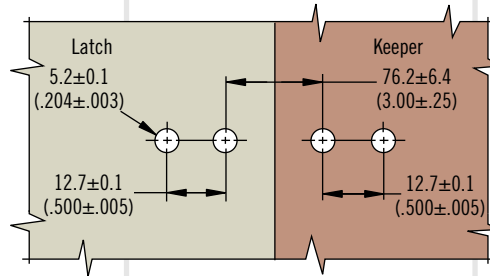
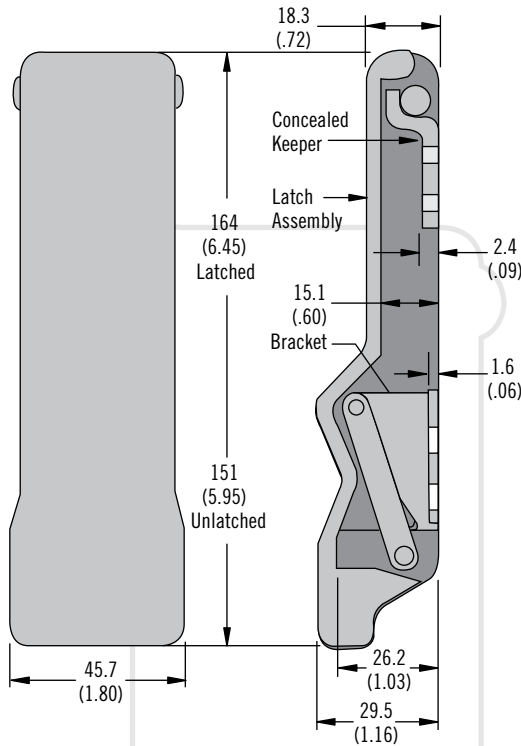
For reversed keeper



For right angle keeper



## Large



Size	Keeper Style	Assembly Part Number
Small	Concealed	C7-10
	Reverse Keeper	C7-11
	Right Angle Keeper	C7-12
Large	Concealed	C7-20

- Low profile design
- Non-corrosive materials
- Cushions impact and accommodates misalignment

### Material and Finish

Latch:  
Thermoplastic elastomer black  
Link and bushings:  
Glass reinforced nylon  
Keeper and bracket: Stainless steel

### Performance Details

Small:  
Clamping force: 49 N (11 lbf)

Large:  
Clamping force: 176 N (40 lbf)

Flammability rating: UL94-HB

### Installation Notes

Small:  
Install assembly with four  $\varnothing 4$  (.170) rivets or M4 (No. 8) screws (not supplied)

Large:  
Install assembly with four  $\varnothing 5$  (.204) rivets or M5 (No. 10) screws (not supplied)