



E2 Push-to-Close Latch

Push-button to open · Hidden panel latching system

- Concealed latch points
- Door ejection feature
- Accommodates misalignment
- Single or two point latching

Material and Finish

Steel, zinc plated and thermoplastic, white, aluminum, natural

Performance Details

Keeper style	Static load	Ultimate load
Fixed	1300 N (300 lbf)	2200 N (500 lbf)
Floating	750 N (170 lbf)	1400 N (310 lbf)

Operating temperature range:
-18°C (-0°F) to 120°C (250°F)

Flammability rating: UL94-V0

Installation Notes

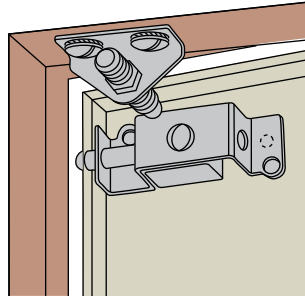
See page 138

*Nominal keeper location from inside surface of door.

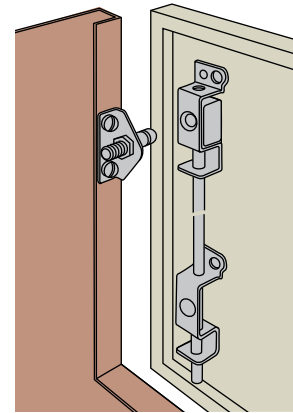
Adjustable 6.4 (.25) either way to allow for variations in mounting, gasketing, etc

Available in Two Versions - Near Edge and Remote

Near Edge

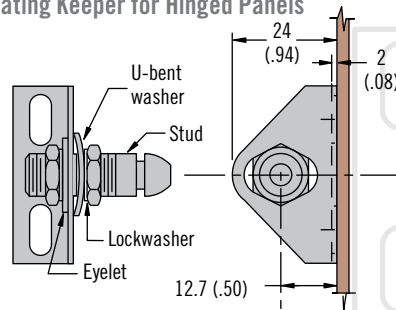


Remote

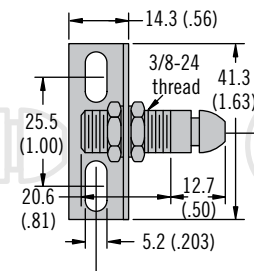


1. Select Keeper

Floating Keeper for Hinged Panels

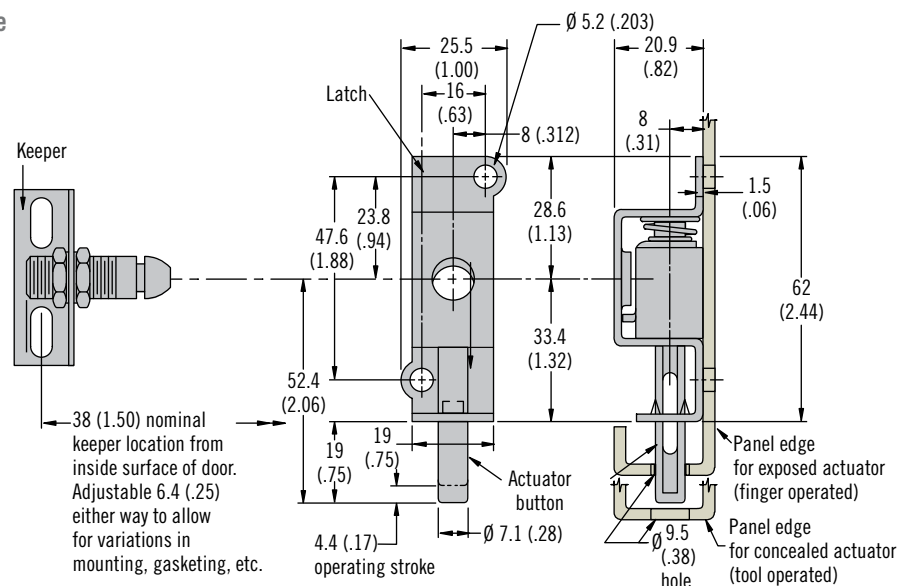


Fixed Keeper for Lift-Off Panels



2. Determine Latch Location - Near Edge or Remote (Single or Two Point)

Near Edge



Near Edge Complete Assembly Part Number

With Fixed Keeper	With Floating Keeper
E2-50-101-10	E2-50-101-20

A complete near edge assembly comes with keeper

Dimensions in millimeters (inch) unless otherwise stated

Part Number

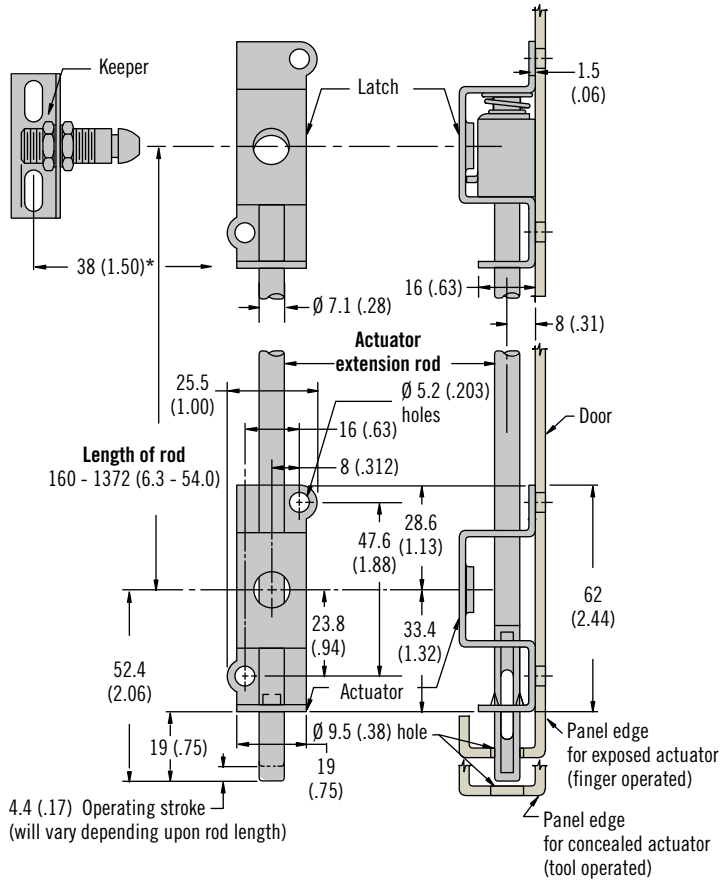
See table



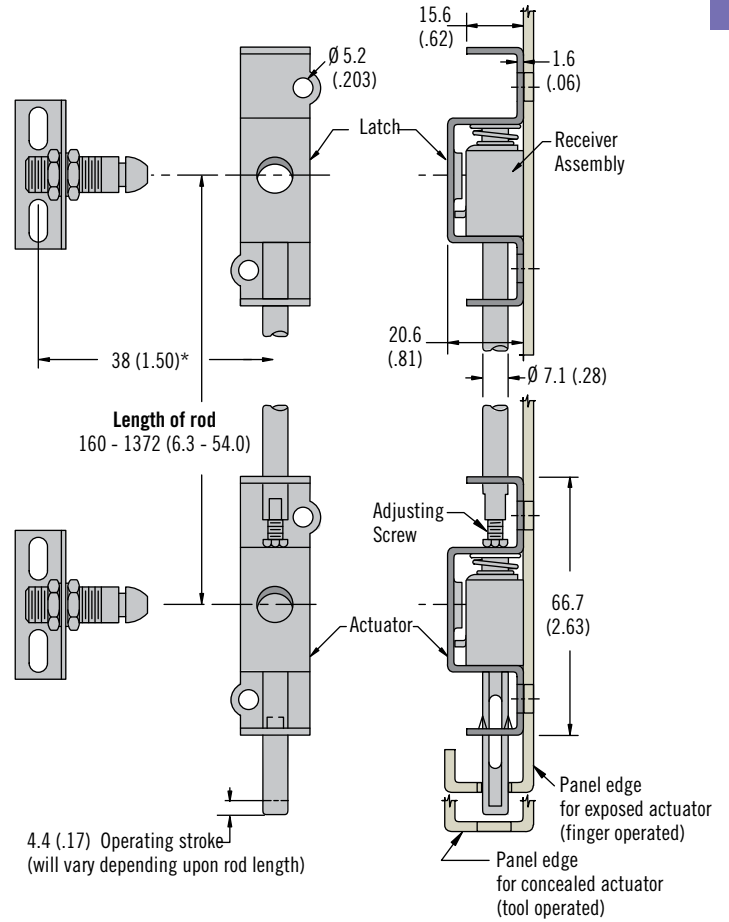
www.southco.com/E2

southco
CONNECT · CREATE · INNOVATE

Remote - Single Point



Remote - Two Point



Remote Single Point Part Number	
Fixed keeper	E2-55-101-10
Floating keeper	E2-55-102-10
Rod 500 mm	E2-46-0500-16
Rod 1250 mm	E2-46-1250-16
Latch	E2-92-101
Actuator	E2-91-101

Remote Two Point Part Number	
Fixed keeper	E2-55-101-10
Floating keeper	E2-55-102-10
Rod 500 mm	E2-42-0500-16
Rod 1250 mm	E5-42-1250-16
Latch	E2-92-102
Actuator	E2-93-102

A complete remote single point assembly consists of 4 components: keeper, rod, latch and actuator

A complete remote two point assembly consists of 4 components: keeper, rod, latch and actuator

To order rod lengths other than the standard lengths, use part number:

E2-42-XXX-16

(XXX = length in mm)

Min. = 160 mm

Max. = 1372 mm

Min. order = 50 units



E2 Push-to-Close Latch

Push-button to open · Hidden panel latching system

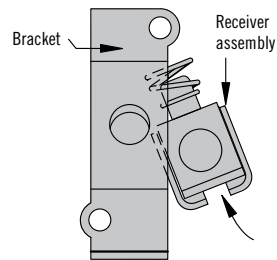
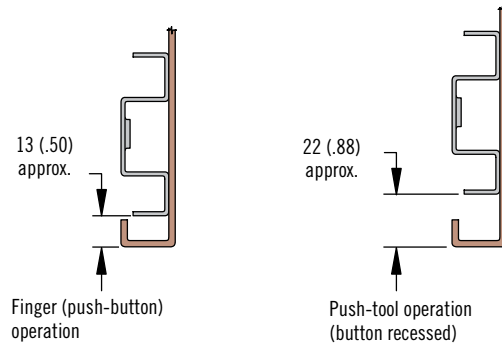
Installation Notes

1. Mount brackets on inside surface of your panel using studs, welds, M5 (No.10) screws or \varnothing 5 (.188) rivets.

2. Slide receiver assembly into side of upper bracket.

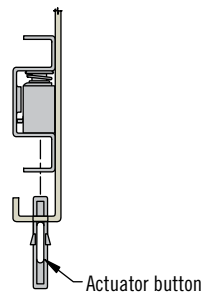
3. Insert extension rod into brackets, then slide receiver assembly into side of lower bracket and snap-in actuator button.

4. Mount keeper with M5 (No. 10) screws. Keeper can be adjusted 3.2 (.13) from center both vertically and horizontally for proper alignment with latch.



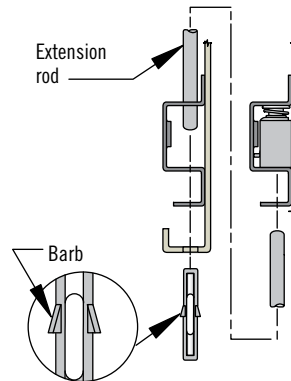
Near Edge Style

Snap actuator button into bracket



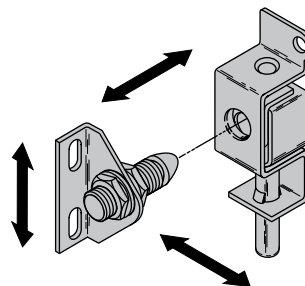
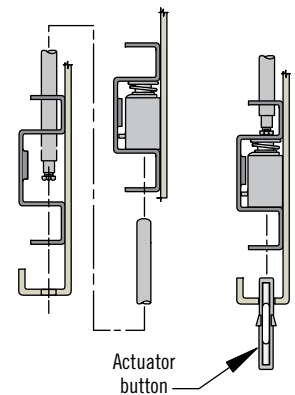
Remote Latching Style

Insert extension rod and actuator button into brackets



Two-Point Style

Insert extension rod into brackets then slide receiver assembly into side of lower bracket and snap in actuator button



Dimensions in millimeters (inch) unless otherwise stated



www.southco.com/E2

southco
CONNECT · CREATE · INNOVATE