

H3-EM ELECTRONIC LOCKING SWINGHANDLE

Cabinet Level Security





H3-EM Electronic Locking Swinghandle

- Remote lock and unlock
- Momentary or continuous lock actuation
- Local monitoring with multi-color LED indicator
- Lock status outputs provided for remote monitoring
- Industry standard 25x150mm panel prep
- Integral key lock for manual over-ride
- Options for combined electronic lock and RFID card reader
- Reader recognizes existing employee RFID cards

The H3-EM Electronic Locking Swinghandle provides intelligent electronic locking and monitoring capabilities with or without RFID card reader. The RFID module output can be connected to a standalone controller or to any networked access control system for remote control, monitoring and reporting.

1. Standalone Electronic Locking Swinghandle
Combine with any access control device to extend your access control down to the rack.

2. Standalone Electronic Locking Swinghandle with Integrated Card Reader

Combine with Southco's EA-P1 controller for a simple standalone cabinet level access control without software or network integration.



H3-EM Electronic Locking Swinghandle



EA-KC2 Membrane Key Pad Controller



H3-EM Electronic Locking Swinghandle with Integrated Card Reader



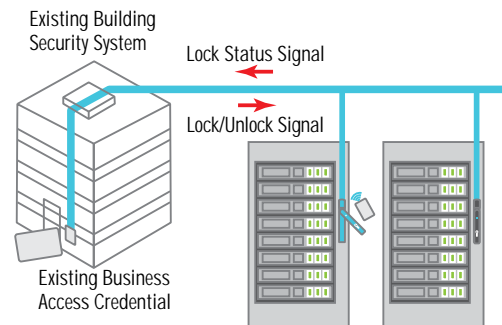
EA-P1 Prox Reader

3. Integrate with Building Security

Connect the H3-EM serial output with an existing building security system to control and monitor access from the building entry down to the cabinet level without having to install a separate reader on the enclosure door.



H3-EM Electronic Locking Swinghandle with Integrated Card Reader



4. Independent Fully Networked Access Control System

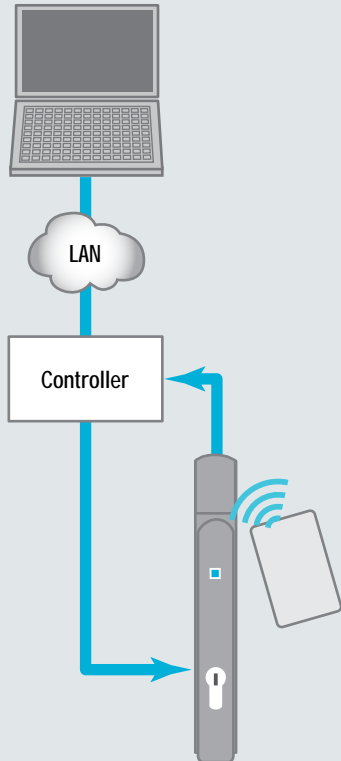
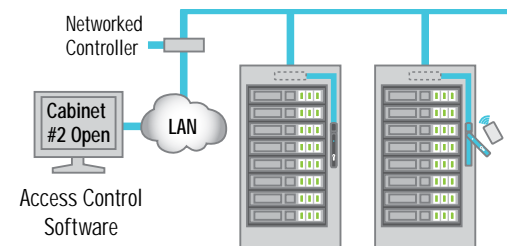
H3-EM can be supplied as part of a fully networked, IP based cabinet access control system. Contact Southco for details



H3-EM Electronic Locking Swinghandle with Integrated Card Reader



Networked Access Control System



Other options available. For complete details on variety, part numbers, installation and specification, go to



www.southco.com/H3EM

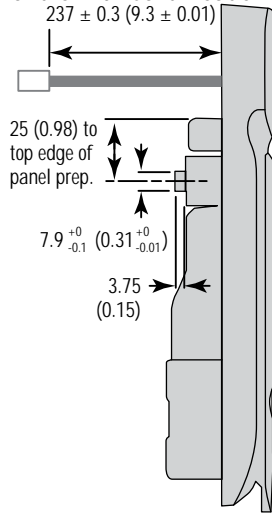
Dimensions in millimeters (inch) unless otherwise stated

southco
CONNECT · CREATE · INNOVATE

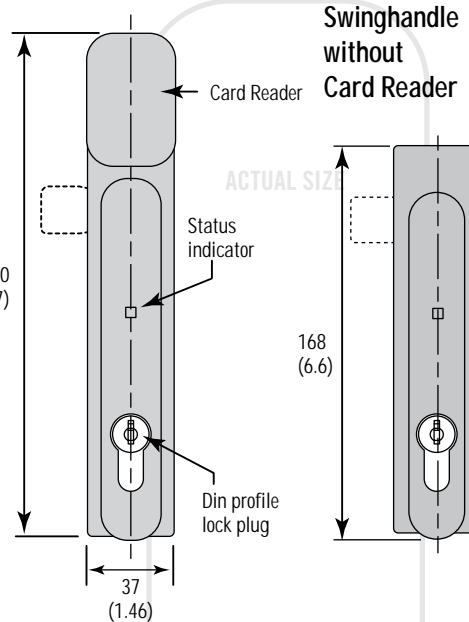
H3-EM Electronic Locking Swinghandle



Swinghandle with Card Reader

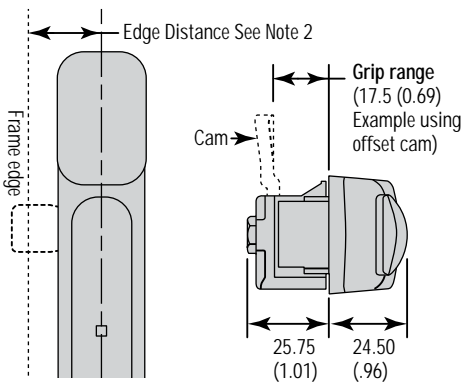


Swinghandle without Card Reader



Edge Distance

For cam length of 38mm (1.5) - Edge Distance of 30mm (1.2)
 For cam length of 45mm (1.8) - Edge Distance of 37mm (1.5)



Cam Part Number (Order separately)

Grip	Cam length (1)	Cam length (2)
15.5 (.61)	E5-6710	-
17.5 (.69)	E5-6711	-
19.5 (.77)	E5-6712	E5-6112
21.5 (.85)	E5-6713	E5-6113
23.5 (.93)	E5-6714	E5-6114

Other additional offsets:
 (1) See Southco Drawings J-E5-67-A & J-E5-67-B
 (2) See Southco Drawings J-E5-61-A & J-E5-61-B

Electronic Swinghandle Part Number Selection

H3-EM - 6 R - L 00 -10***

R Card Reader type

- 0 Without Card Reader
- 7 MIFARE® Classic with Wiegand Data Output *
- 8 HID 125kHz RFID with Wiegand Data Output **
- 9 HID 125kHz RFID with RS232 Data Output **

L Lock style

- 1 High Security DIN Lock
- 2 Key Code CH-751
- 3 Key code RS001 (Multiple RS Key Codes Available)



Card Part Numbers

- EA-C2-021-9 (HID 125kHz, 26bit, 1.8 (0.07) thick)**
- EA-C2-021 (HID 125kHz, 26 bit, 1.8 (0.07) thick, no logo)**
- EA-C3-101-9 (MIFARE® Classic, 4B CSN, 0.8 (0.03) thick)*
- EA-C3-101 (MIFARE® Classic, 4B CSN, 0.8 (0.03) thick, no logo)*

Contact Southco for Custom Color/Logo Options

Material & Finish

Glass Filled Nylon, PC/ABS (UL94-V0)

Shaft, rotation limiter: Die-cast zinc, bright sealer

Electronic Swinghandle

Recommended operating voltage: 12VDC to 24VDC

Typical operating current: Less than 200mA at 12VDC

Peak / stall operating current: 1 Amp

Standby current: 50mA Max

Output Signal: 100mA Max load

Card Reader Module

Supply voltage: 12VDC to 24VDC

Operating current: 60mA Max

To Order:

- 1 Select required Electronic Swinghandle part number using selection guide.
- 2 Select cam part number using cam part number table.
- 3 For multi-point applications, select optional gear box / rod adaptors or actuator plate.
- 4 Select optional wire harness.
- 5 Order cards as needed.

For standalone systems order Southco EA-P1-010 controller.

Contact Southco for details on ordering networked systems.

Note:

***Remove '-10' for latch without Southco Logo

* MIFARE and MIFARE Classic are trademarks of NXP B.V.

** HID is a registered trademark of HID Global

Other options available. For complete details on variety, part numbers, installation and specification, go to

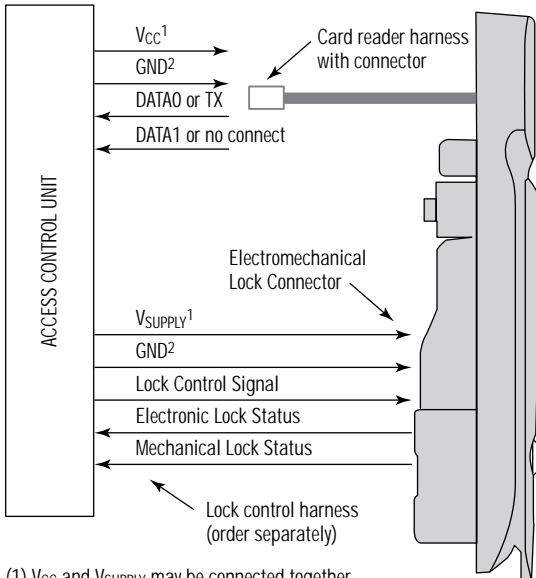


www.southco.com/H3EM



H3-EM Electronic Locking Swinghandle

Connection Diagram

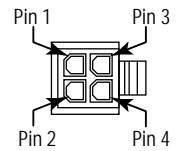


(1) V_{CC} and V_{SUPPLY} may be connected together
 (2) EML and Card reader must use a common GND

Connector Pin Assignment

Card Reader Module (Molex Micro Fit 3.0 Series)

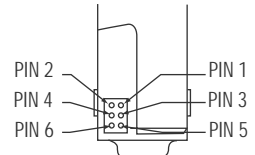
- PIN 1: Ground (Black wire)
- PIN 2: Power (VCC) (Red wire)
- PIN 3: DATA0 or TX (Green wire)
- PIN 4: DATA1 or no connect (White wire)



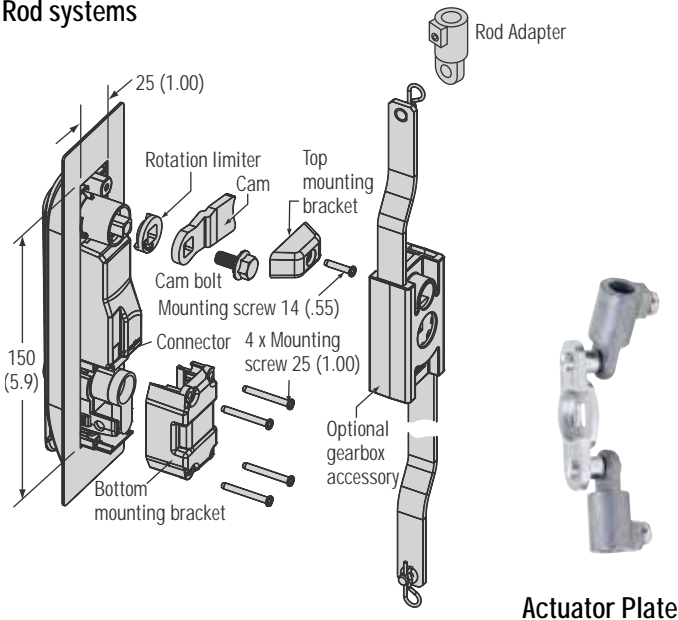
* See latch operating instructions for specifics)

Electronic Swinghandle (Hirose DF11 Series)

- PIN 1: Ground
- PIN 2: Power (Vsupply)
- PIN 3: Not Used
- PIN 4: Control signal
- PIN 5: Electronic lock status output
- PIN 6: Mechanical lock status output



Rod systems



5 Meter Wire Harnesses (order separately)	
Part Number	Description
EA-W01-500*	From Swinghandle to Stripped and Tinned End
EA-W23-502*	From RS-232 Output Card Reader to Stripped and Tinned End
EA-W23-503*	From Wiegand Output Card Reader to Stripped and Tinned End
EA-W23-503-83*	From Wiegand Output Card Reader to EA-P1-01X (Pin/Prox Controller)
EA-W01-23-507*	From Swinghandle and Card Reader to Stripped and Tinned End
EA-W01-23-507-03*	From Swinghandle and Card Reader to Hirose 8-Pin Connector

*Contact Southco for other lengths

Rod System Part Numbers (order separately)*	
H3-61-55-33	Left Hand Gearbox (CCW to open)
H3-61-56-33	Right Hand Gearbox (CW to open)
A5-92-201-31	Rod Adapter
A5-90-101-11	Actuator Plate

* For multi-point systems, select either the right or left hand gear box part number and rod adaptor (2 per door) part numbers or the actuator plate part number from table, then visit www.southco.com/A5 for rod selection.

Dimensions in millimeters (inch) unless otherwise stated