



# N2 Compression Latch

Lift & turn series · Folding T-handle · Flush cup style · Adjustable grip

- Heavy-duty performance
- Flush profile when latched
- Easy grip adjustment
- Intuitive operation

### Material and Finish

Stainless steel, aluminum, black powder coated and plated steel

### Performance Details

Maximum static load:  
1000 N (225 lbf)

### Installation Notes

1. Insert latch and tighten 4 mounting nuts.
2. With latch in closed position, adjust jam nuts to position cam at correct grip.  
Maximum tightening torque:  
20 N•m (177 in•lbf)

### Keys

See page 90

### Notes

N2 product family:  
See opposite page for details

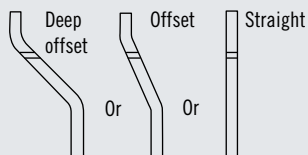
### Part Number Selection

See table

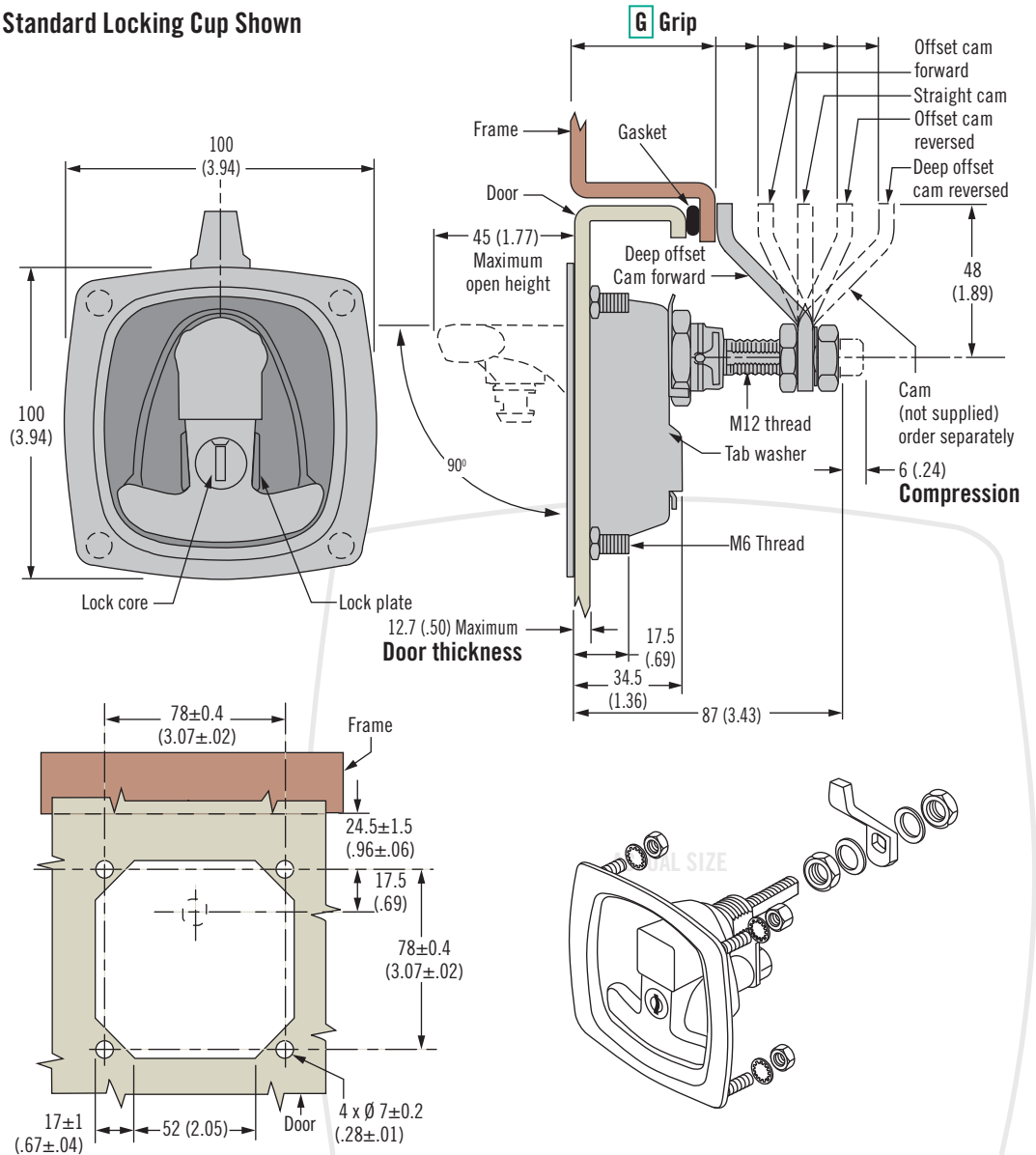
Order both parts separately

Choose latch body style

Choose cam (see table)



### Standard Locking Cup Shown



### Latch part number (no cam)

**N2 - 2 - C 0 L - 01 - F**

**C** Cup style

- 3 Standard cup
- 5 Medium cup
- 7 Large cup

**L** Locking style

- 0 Non-locking
- 1 Key-locking keyed alike CH751 (2 keys supplied)

**F** Finish

- 5 Black powder coated
- 20 Polished stainless

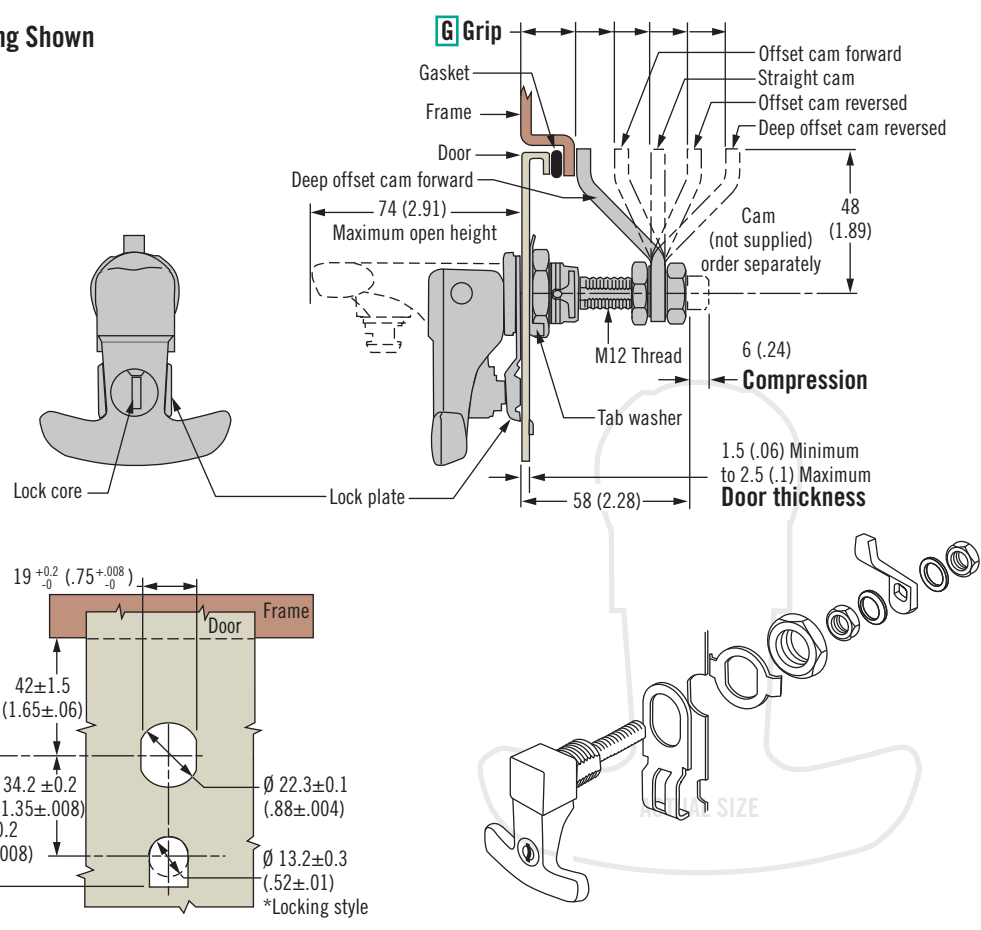
Cam Part Number Table (order separately)			
Part Number	Grip		Cam Type
	Minimum	Maximum	
N2-21-101-12	28 (1.10)	43 (1.69)	Deep offset cam, forward
	88 (3.46)	104 (4.09)	Deep offset cam, reversed
N2-21-102-12	43 (1.69)	58 (2.28)	Offset cam, forward
	73 (2.87)	88 (3.46)	Offset cam, reversed
N2-21-103-12	58 (2.28)	73 (2.87)	Straight



# N2 Compression Latch

Lift & turn series · Folding T-handle · No cup style · Adjustable grip

## Locking Shown



- Heavy-duty performance
- Low profile when latched
- Easy grip adjustment
- Intuitive operation

**Material and Finish**  
Stainless steel, aluminum, black powder coated and plated steel

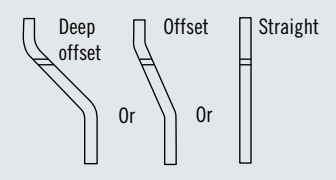
**Performance Details**  
Maximum static load:  
1000 N (225 lbf)

- Installation Notes**
1. Insert latch and tighten mounting nut.
  2. Bend tab washer over mounting nut.
  3. With latch in closed position, adjust jam nuts to position cam at correct grip. Maximum tightening torque: 20 N·m (177 in·lbf)

**Keys**  
See page 90

**Part Number Selection**  
See table

Order both parts separately  
Choose latch body style  
Choose cam (see table)



**F Finish**  
5 Black powder coated  
20 Polished stainless

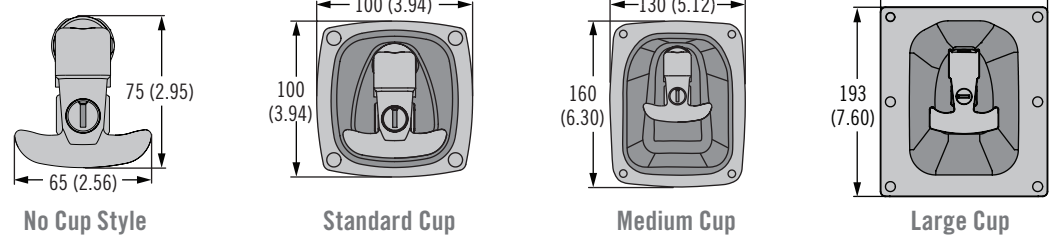
**L Locking style**  
0 Non-locking  
1 Key-locking keyed alike  
CH751 (2 keys supplied)

Latch part number (no cam)

**N2 - 2 - 10 L - 01 - F**

Cam Part Number Table (order separately)			
Part Number	G Grip		Cam Type
	Minimum	Maximum	
N2-21-101-12	2.5 (.10)	15 (.59)	Deep offset cam, forward
	60 (2.36)	75 (2.95)	Deep offset cam, reversed
N2-21-102-12	15 (.59)	30 (1.18)	Offset cam, forward
	45 (1.77)	60 (2.36)	Offset cam, reversed
N2-21-103-12	30 (1.18)	45 (1.77)	Straight

## N2 Product Family



**Notes**  
Other styles available  
Custom colors and keycodes  
Contact Southco for details



Dimensions in millimeters (inch) unless otherwise stated

Other options available. For complete details on variety, part numbers, installation and specification, go to [www.southco.com/N2](http://www.southco.com/N2)