

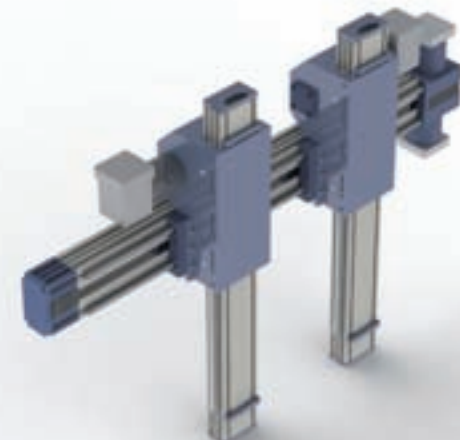
Actuator Line

Multi-axis systems

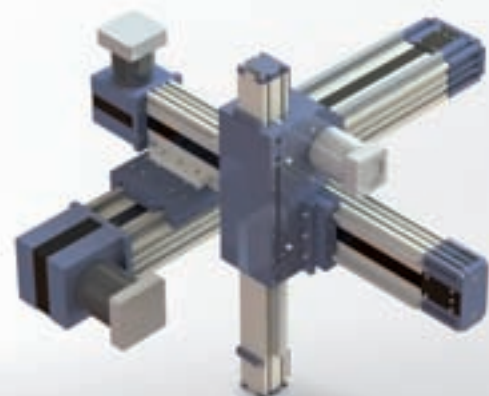
2 axis system



2 axis system



3 axis system



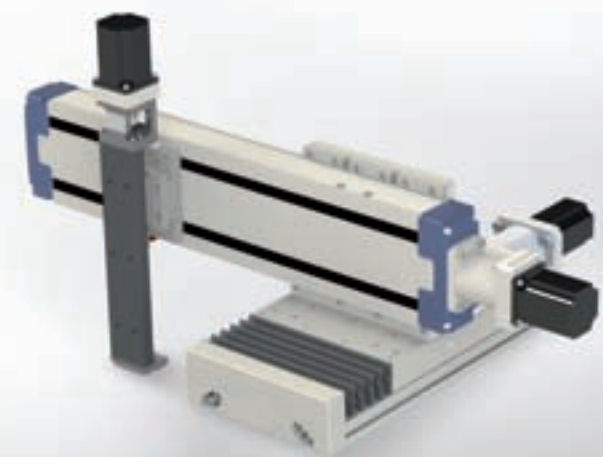
3 axis system



3 axis system



3 axis system



ROLLON®
Linear Evolution



ROLLON S.r.l. - ITALY

Via Trieste 26
I-20871 Vimercate (MB)
Phone: (+39) 039 62 59 1
www.rollon.it - infocom@rollon.it

● Rollon Branches & Rep. Offices
● Distributors

Branches:

ROLLON GmbH - GERMANY

Bonner Strasse 317-319
D-40589 Düsseldorf
Phone: (+49) 211 95 747 0
www.rollon.de - info@rollon.de

ROLLON B.V. - NETHERLANDS

Ringbaan Zuid 8
6905 DB Zevenaar
Phone: (+31) 316 581 999
www.rollon.nl - info@rollon.nl

Rep. Offices:

ROLLON Srl - RUSSIA

1st Lusinovsky Pereulok, 3B, Office 404
119049 Moscow (RUS)
Phone: +7 (495) 799 42 29
www.роллон.рф - info@роллон.рф

ROLLON S.A.R.L. - FRANCE

Les Jardins d'Eole, 2 allée des Séquoias
F-69760 Limonest
Phone: (+33) (0) 4 74 71 93 30
www.rollon.fr - infocom@rollon.fr

ROLLON Corporation - USA

101 Bilby Road, Suite B
Hackettstown, NJ 07840
Phone: (+1) 973 300 5492
www.rolloncorp.com - info@rolloncorp.com

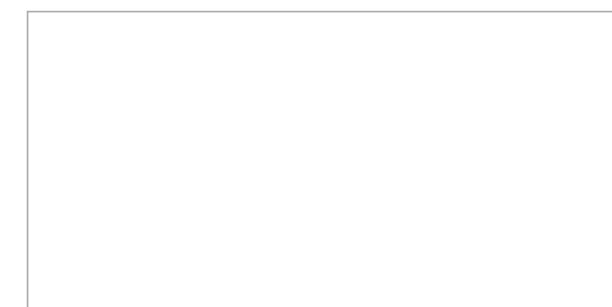
ROLLON Ltd - CHINA

51/F Raffles City, 268 Xi Zang Middle Road,
200001 Shanghai (China)
Phone: (+86) 021 2312 7582
www.rollon.cn.com - info@rollon.cn.com

Consult the other ranges of products



Distributor



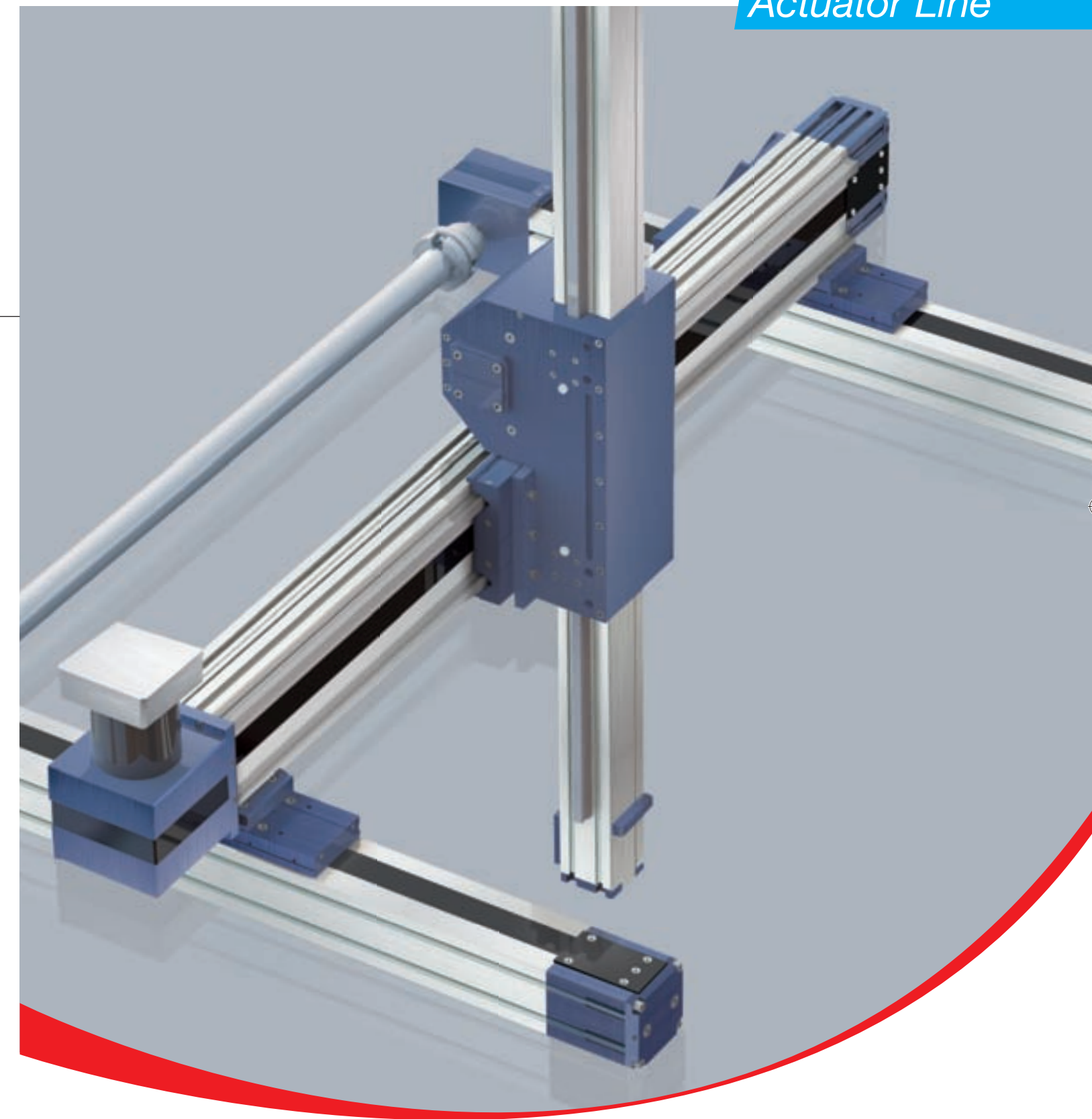
All addresses of our global sales partners can also be found in the internet at www.rollon.com

Changes and errors excepted. The text and images may be used only with our permission.

AL_PP_EN_11/13

ROLLON®
Linear Evolution

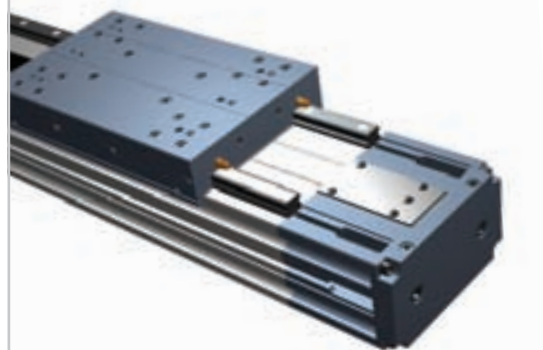
Actuator Line



Actuator Line

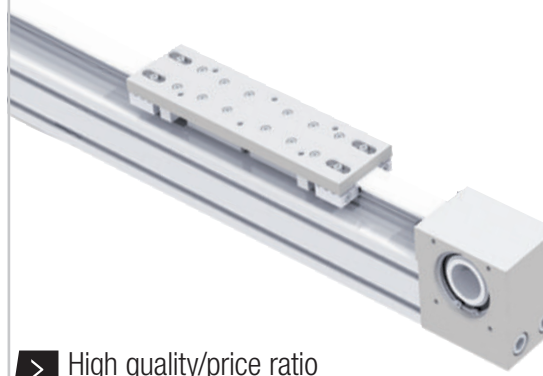
Product families

Plus System



- > Intended for critical environment conditions
- High cycle loads
- Anticorrosion version available

Smart System



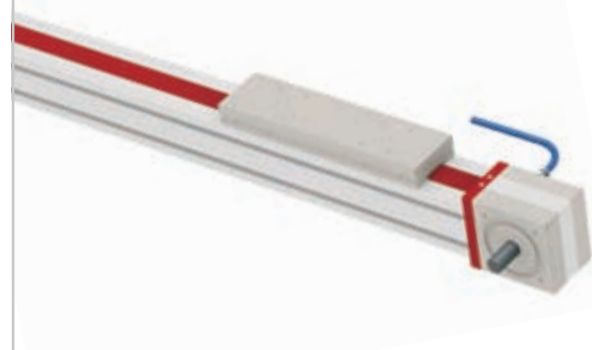
- > High quality/price ratio
- Self-supporting structure
- Suitable for multi-axis system

Uniline System



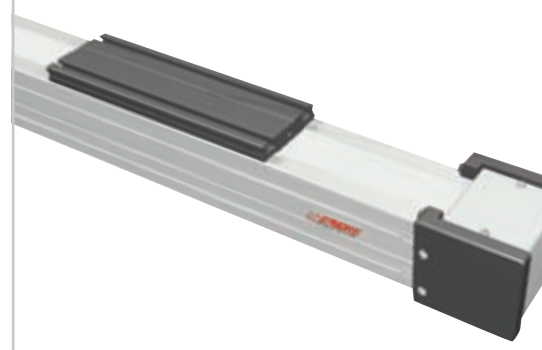
- > High speed
- Compact rail with radial ball bearing rollers
- Easy assembly

Clean Room System



- > Designed for clean room
- Low particles emission
- Clean room ISO 14644-1 or FED STD 209E certification

Eco System



- > Light weight
- Simple construction
- Long strokes

Precision System



- > Ball screw driven for high precision
- Rigid design
- Suitable for multi-axis system

Technical features overview

Reference		Section		Driving		Anticorrosion	Protection	Size	Max. load capacity per carriage [N]			Max. static moment per carriage [Nm]			Max. travel speed [m/s]	Max. acceleration [m/s ²]	Repeatability accuracy [mm]	Max. travel or stroke (per system) [mm]
Family	Product	Balls	Rollers	Toothed belt	Ball screw				F _x	F _y	F _z	M _x	M _y	M _z				
Plus System		ELM						50-65-80-110	4410**	79000*	79000*	1300*	7110*	7110*	5	50	0,05	6000***
		ROBOT						100-130-160-220	9190**	158000*	158000*	13590*	18090*	18090*	5	50	0,05	6000***
		SC						65-130-160	6170**	86800**	86800*	6770*	17600*	17600*	5	50	0,05	2500
Clean Room System		ONE						50-80-110	4410**	79000*	79000*	1300*	7110*	7110*	5	50	0,05	6000***
Smart System		E-SMART						30-50-80-100	4410**	65000*	65000*	1180*	5070*	5.070*	4	50	0,1	6000***
		R-SMART						120-160-220	9190**	237000*	237000*	20145*	30810*	30810*	4	50	0,1	6000***
		S-SMART						50-65-80	2350**	43400*	43400*	570*	3168*	3168*	4	50	0,1	2000
Eco System		ECO						60-80-100	4410**	43400*	43400*	620*	3820*	3820*	5	50	0,1	6000***
Uniline System		A/C/E/ED/H						40-55-75-100	1000	25000	17400	800,4	24917	15752	9	20	0,1	5700***
Precision System		TH						90-110-145	27000*	86800*	86800*	3780*	2860*	2860*	2		0,005	1500
		TT						100-155-225-310	58300*	230500*	274500*	30195*	22365*	22365*	2,5		0,005	3000
		TV						60-80-110-140	58300*	48400*	54700*	2320*	3476*	3170*	2,5		0,01	4000
		TK						40-60-80	12462*	50674*	86.800*	1507*	622*	622*	1,48		0,003	810

Reported data must be verified according to the application.

For a complete overview about technical data, please consult our catalogues at www.rollon.com.

* In order to reach sufficient static safety, we recommend using max. 20% of the theoretical value.

** In order to reach sufficient static safety for the toothed belt, we recommend using max. 80% of the theoretical value.

*** Longer stroke is available for jointed version

