

HEAVY DUTY SOFT-DOWN STAY



HDS-10



■ Features

- For downward-opening doors.
- Can be used with concealed, piano, or butt hinges.
- Designed to hold the door in closed position.
- Used in pairs.

■ Applicable Range

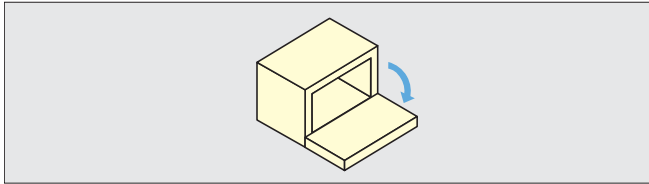
Torque	Model	Qty
13.7~19.5 N·m	K	1 pair
19.6~24.4 N·m	M	1 pair
24.5~29.4 N·m	H	1 pair

■ Parts Included

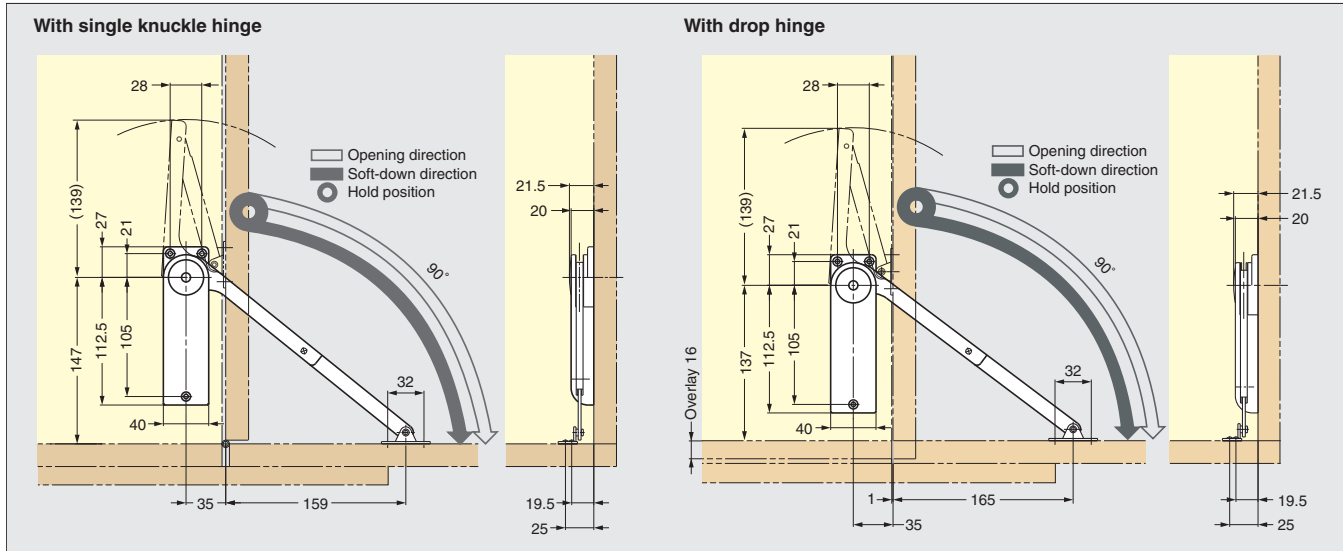
- Mounting plate
- Binding head tapping screw 3.5×15

LID SUPPORTS

HEAVY DUTY SOFT-DOWN STAY



■ Installation (Opening Angle 90°)



Item Code	Item Name	Type	Material	Finish/Colour	Model	Torque Moment/pair	Weight	Carton
180-104-067	HDS-10KL-BL	Left	ABS/Steel	Nickel/Black	K	13.7~ 19.5 N·m (140~ 199 kgf·cm)	292 g	40 pcs
180-104-066	HDS-10KR-BL	Right	ABS/Steel	Nickel/Black	K		292 g	40 pcs
180-104-073	HDS-10KL-WT	Left	ABS/Steel	Nickel/White	K		292 g	40 pcs
180-104-072	HDS-10KR-WT	Right	ABS/Steel	Nickel/White	K		292 g	40 pcs
180-104-069	HDS-10ML-BL	Left	ABS/Steel	Nickel/Black	M	19.6~ 24.4 N·m (200~ 249 kgf·cm)	302 g	40 pcs
180-104-068	HDS-10MR-BL	Right	ABS/Steel	Nickel/Black	M		302 g	40 pcs
180-104-075	HDS-10ML-WT	Left	ABS/Steel	Nickel/White	M		302 g	40 pcs
180-104-074	HDS-10MR-WT	Right	ABS/Steel	Nickel/White	M	302 g	40 pcs	
180-104-071	HDS-10HL-BL	Left	ABS/Steel	Nickel/Black	H	24.5~ 29.4 N·m (250~ 300 kgf·cm)	308 g	40 pcs
180-104-070	HDS-10HR-BL	Right	ABS/Steel	Nickel/Black	H		308 g	40 pcs
180-104-077	HDS-10HL-WT	Left	ABS/Steel	Nickel/White	H		308 g	40 pcs
180-104-076	HDS-10HR-WT	Right	ABS/Steel	Nickel/White	H		308 g	40 pcs