

HEAVY DUTY SOFT-DOWN STAY



HDS-20



■Features

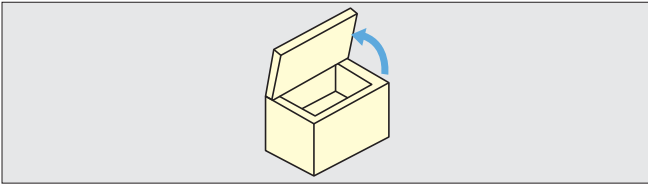
- For top-opening doors.
- Can be used with concealed, piano, or butt hinges.
- Designed to hold the door in fully opened position.
- Used in pairs.

■Applicable Range

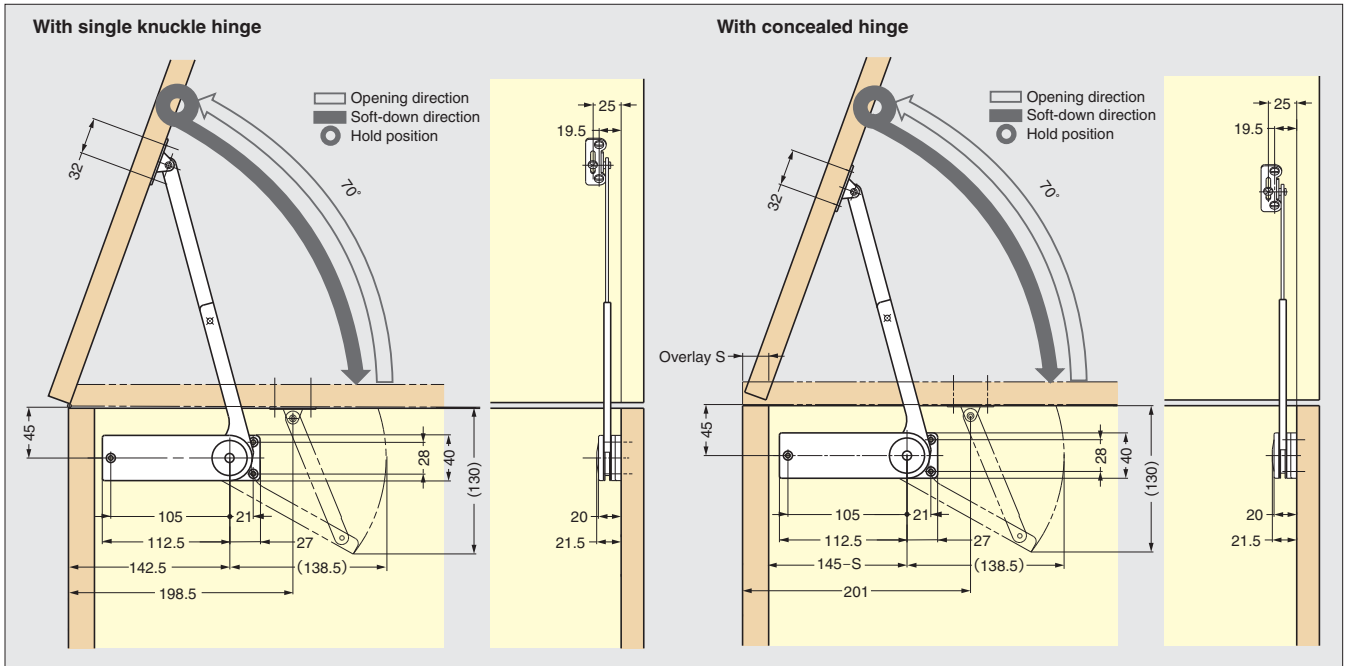
Torque	Model	Qty
13.7~19.5 N·m	K	1 pair
19.6~24.4 N·m	M	1 pair
24.5~29.4 N·m	H	1 pair

■Parts Included

- Mounting plate
- Binding head tapping screw 3.5×15



■Installation (Opening Angle 70°)



Item Code	Item Name	Type	Material	Finish/Colour	Model	Torque Moment/pair	Weight	Carton
180-109-237	HDS-20KL-BL	Left	ABS/Steel	Nickel/Black	K	13.7~ 19.5 N·m (140~ 199 kgf·cm)	284 g	40 pcs
180-109-236	HDS-20KR-BL	Right	ABS/Steel	Nickel/Black	K		284 g	40 pcs
180-109-243	HDS-20KL-WT	Left	ABS/Steel	Nickel/White	K		284 g	40 pcs
180-109-242	HDS-20KR-WT	Right	ABS/Steel	Nickel/White	K		284 g	40 pcs
180-109-239	HDS-20ML-BL	Left	ABS/Steel	Nickel/Black	M	19.6~ 24.4 N·m (200~ 249 kgf·cm)	288 g	40 pcs
180-109-238	HDS-20MR-BL	Right	ABS/Steel	Nickel/Black	M		288 g	40 pcs
180-109-245	HDS-20ML-WT	Left	ABS/Steel	Nickel/White	M		288 g	40 pcs
180-109-244	HDS-20MR-WT	Right	ABS/Steel	Nickel/White	M		288 g	40 pcs
180-109-241	HDS-20HL-BL	Left	ABS/Steel	Nickel/Black	H	24.5~ 29.4 N·m (250~ 300 kgf·cm)	299 g	40 pcs
180-109-240	HDS-20HR-BL	Right	ABS/Steel	Nickel/Black	H		299 g	40 pcs
180-109-247	HDS-20HL-WT	Left	ABS/Steel	Nickel/White	H		299 g	40 pcs
180-109-246	HDS-20HR-WT	Right	ABS/Steel	Nickel/White	H		299 g	40 pcs

LID SUPPORTS

HEAVY DUTY SOFT-DOWN STAY