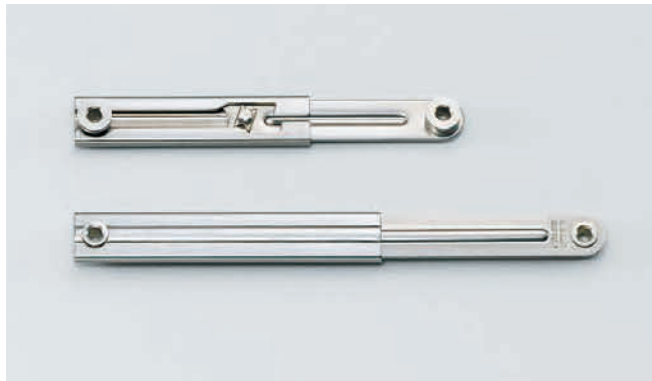


ULTRA MINI LID STAY



L-100S, L-140S



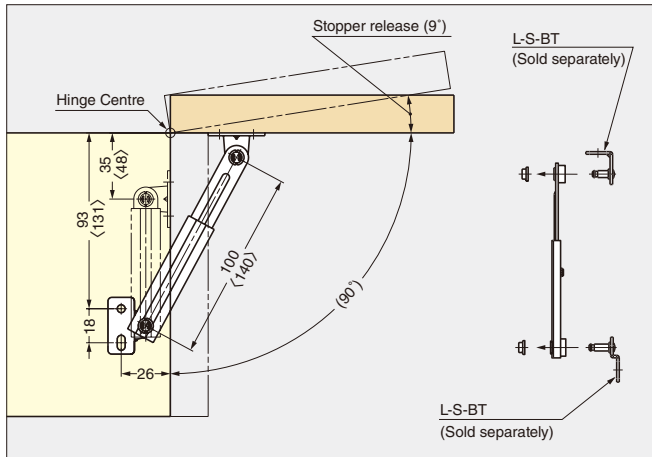
■ Features

- Holds the lid at open position.
- Lift up the lid to release.
- Compact design.
- Non-handed.

■ Sold Separately

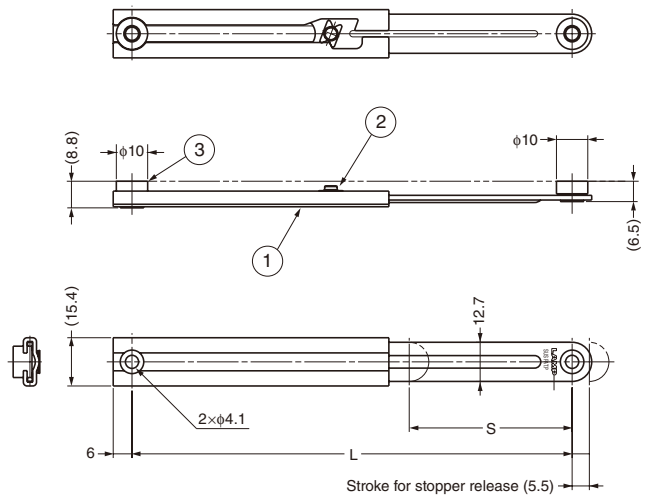
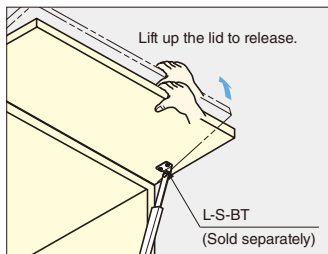
Mounting bracket L-S-BT (below)

■ Installation



< >: L-140S

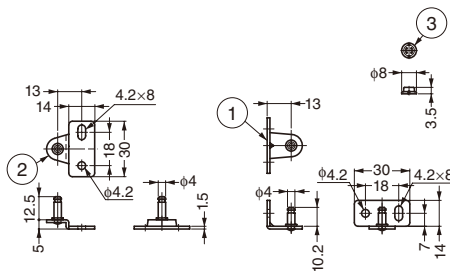
■ Stopper Release



No.	Part Name	Material	Finish
①	Body	Stainless Steel (SUS304)	Polished
②	Washer	Polyamide (PA)	-
③	Case Bracket	Stainless Steel (SUS304)	-

Item Code	Item Name	Load Capacity	L	S	Weight	Box	Carton
180-109-118	L-100S	58.8 N/pc 6 kgf/pc	100	32	31 g	30 pcs	300 pcs
180-100-105	L-140S	58.8 N/pc 6 kgf/pc	140	52	38 g	30 pcs	300 pcs

MOUNTING BRACKET



L-S-BT

■ Features

- Optional brackets for L-100S and L-140S stays (above).
- Brackets for arm and case sold as set.

■ Remarks

Do not re-use the bracket. Plastic bushing may become loose once taken off from stay.

No.	Part Name	Material	Finish/Colour
①	Arm Bracket	Stainless Steel (SUS304)	Polished
②	Case Bracket	Stainless Steel (SUS304)	Polished
③	Cap	Polyacetal (POM)	White

Item Code	Item Name	Weight	Box	Carton
180-100-620	L-S-BT	17 g	40 sets	400 sets